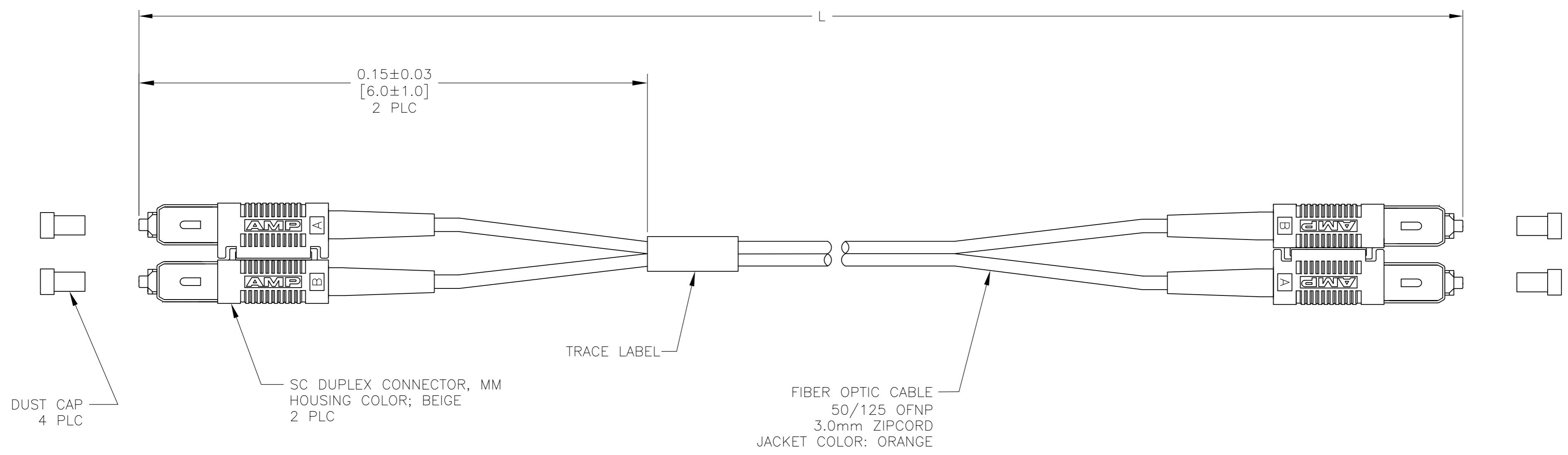


THIS DRAWING IS UNPUBLISHED. RELEASED FOR PUBLICATION
 © COPYRIGHT BY TYCO ELECTRONICS CORPORATION. ALL RIGHTS RESERVED.

LOC	DIST	REVISIONS			
P	LTR	DESCRIPTION	DATE	DWN	APVD
CE	16	A1	REVISED-ADDED -5	12JUN07	JWD JD

1. MAXIMUM CONNECTOR INSERTION LOSS IS 0.5dB PLUS CABLE ATTENUATION OF 1.5dB/km AT 1300nm (SEE TABLE)
2. GEOMETRY REQUIREMENTS:
RADIUS OF CURVATURE: 10-30mm
3. PRODUCT AND PROCESSING MUST MEET REQUIREMENTS OF TYCO ELECTRONICS STANDARD 230-702



MAX IL (dB)	L METERS [INCHES]	PART NUMBER
0.70	100.00±1.00 [3937.0±39.4]	8-6278016-9
0.62	60.00±0.60 [2362.2±23.6]	6-6278016-0
0.56	30.00±0.30 [1181.1±11.8]	3-6278016-0
0.54	20.00±0.30 [787.4±11.8]	2-6278016-0
0.52	10.00±0.15 [393.7±5.9]	1-6278016-0
0.51	5.00±0.08 [196.9±3.0]	6278016-5
0.50	3.00±0.05 [118.1±2.0]	6278016-3
0.50	1.00±0.05 [39.4±2.0]	6278016-1

THIS DRAWING IS A CONTROLLED DOCUMENT.		DWN J. W. DAVIS 11OCT05	Tyco Electronics Corporation Harrisburg, PA 17105-3608	
DIMENSIONS: METERS [INCHES]		CHK J. DUNCAN 11OCT05	NAME	
TOLERANCES UNLESS OTHERWISE SPECIFIED:		APVD F. McCORKEL 11OCT05	CABLE ASSEMBLY, FIBER OPTIC, 50/125um, 3.0mm OFNP ZIPCORD SC DUPLEX TO SC DUPLEX, RoHS, Fibre Channel	
0 PLC ± -		PRODUCT SPEC	SIZE	CAGE CODE
1 PLC ± -		APPLICATION SPEC	A2	00779
2 PLC ± -		WEIGHT	DRAWING NO 6278016	
3 PLC ± -		MATERIAL	RESTRICTED TO	
4 PLC ± -		FINISH	SCALE NTS SHEET 1 of 1 REV A1	
ANGLES ± -		CUSTOMER DRAWING		