

PERFECT EMC-cable gland

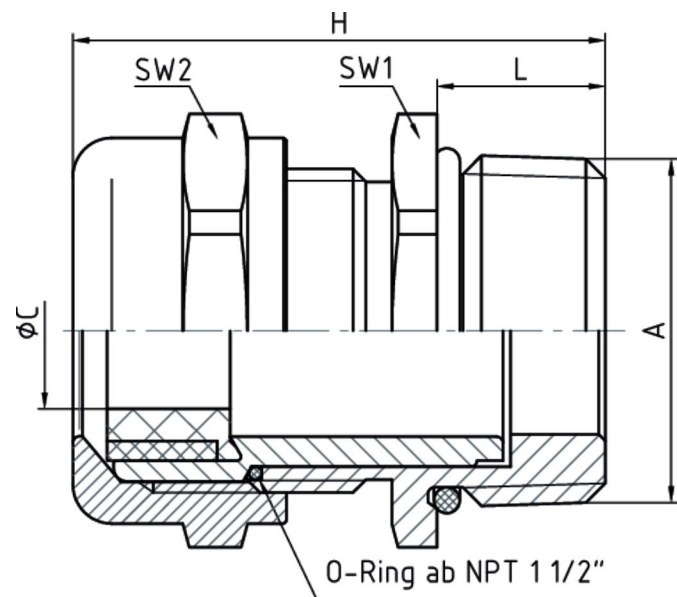
50.1xx/EMV/R

Dome nut	Brass CuZn39Pb3, nickel-plated
Lamellar insert	Polyamide PA6 V-2
Sealing ring/outer part	Polychloroprene-Nitrile rubber CR/NBR
Sealing ring/inner part	TPE TPS
Gland body	Brass CuZn39Pb3, nickel-plated
O-ring	Nitrile rubber NBR
Connecting thread	NPT



Properties


	<ul style="list-style-type: none"> for cables with shielding integrated anchorage protection against twisting wide sealing and clamping range
Temperature range	-20 °C / +100 °C (dynamic) -40 °C (static, short term)
Protection grade	IP68 5 bar
Test standard	UL 514B
UL / CSA-File	E140310
Comment	details about test results - see annex



Features

Connecting thread standard length

A	ØC	L	SW1	SW2	H	VPE	Part No.
NPT 1/4"	3 - 9	8	17	17	33	50	50.114/EMV/R
NPT 3/8"	3 - 9	8	20	20	33	50	50.138/EMV/R
NPT 1/2"	5 - 13	10	24	24	37,5	50	50.112/EMV/R
NPT 3/4"	8 - 16	11	30	30	40,5	50	50.134/EMV/R
NPT 1"	12 - 20	14	40	40	44	25	50.110/EMV/R
NPT 1 1/4"	16 - 27	14	50	50	47	10	50.114/EMV/R

A	ØC	L	SW1	SW2	H	 VPE	Part No.
NPT 1 1/2"	21 - 35	15	55	55	55,5	5	50.1112/EMV/R
NPT 2"	27 - 48	15	65	65	57,5	5	50.1200/EMV/R