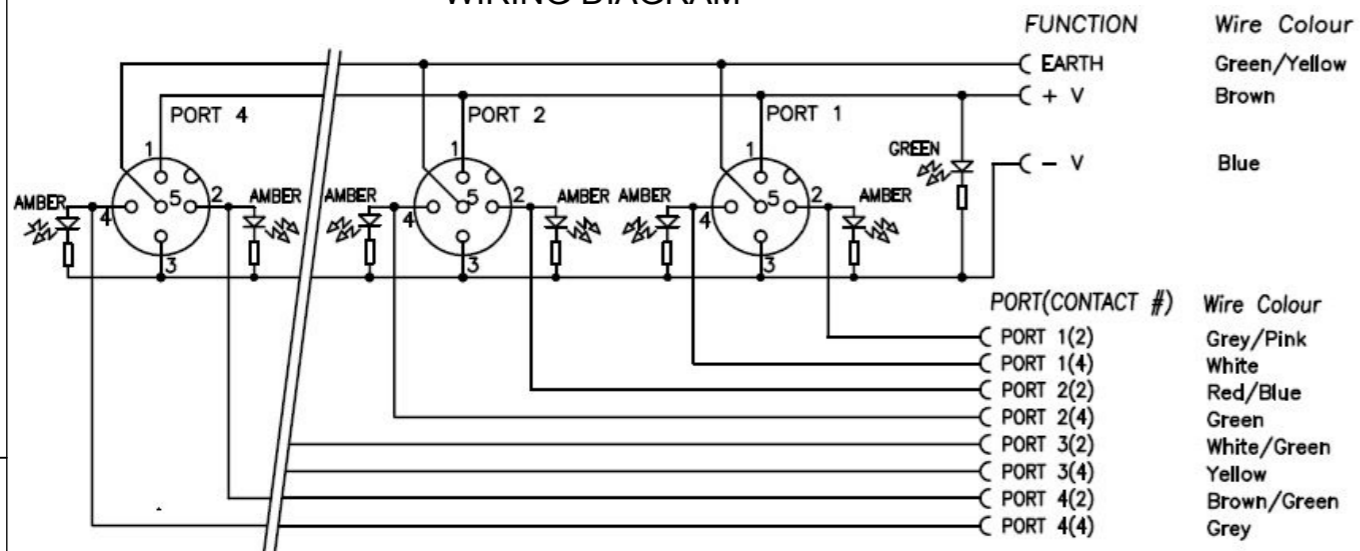


WIRING DIAGRAM



2x FIXING HOLES
SUITABLE FOR M4
SCREWS

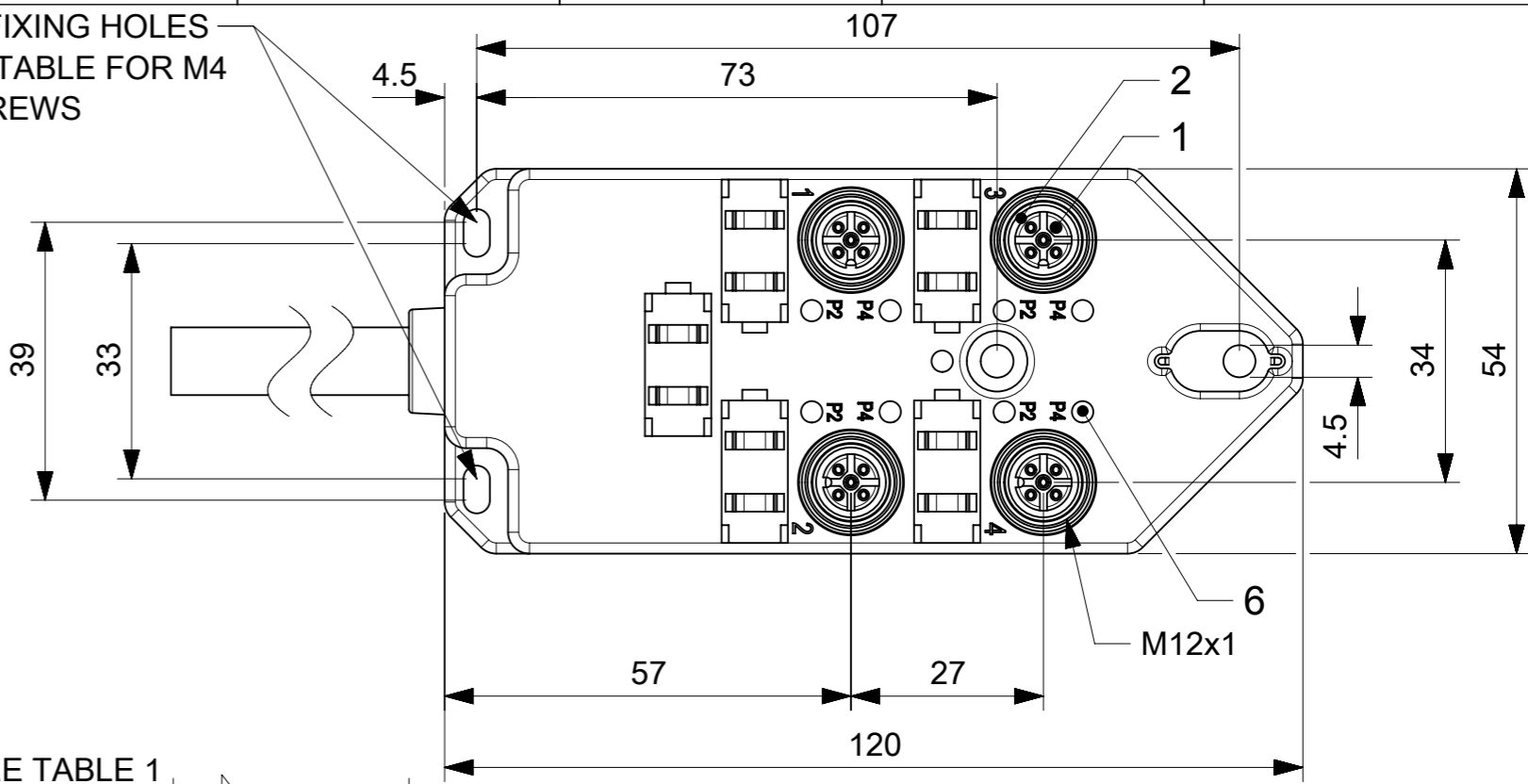


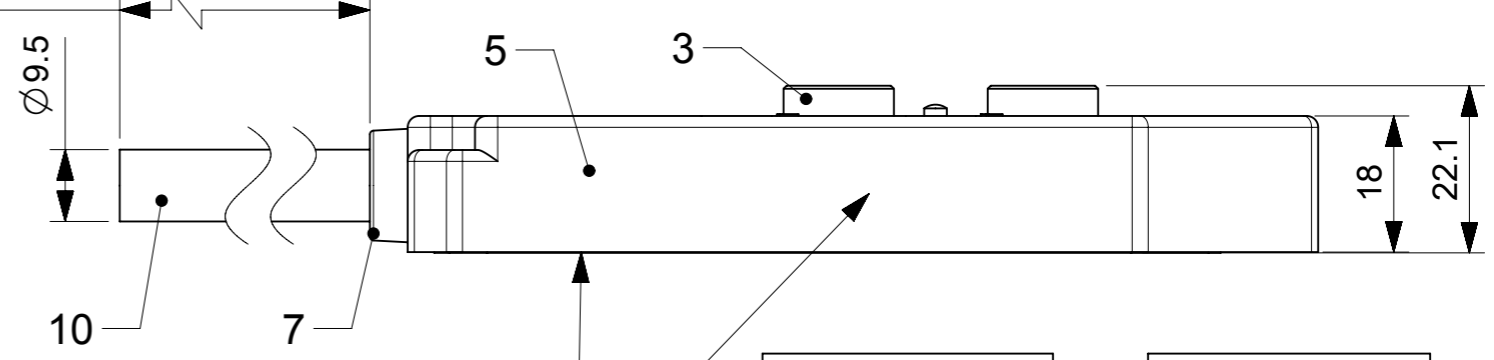
TABLE 1

MOLEX PN	ENGINEERING NO.	L + Tol.[mm]
1201140143	C04T4R00PB050M	5000 +165
1201140144	C04T4R00PB100M	10000 +317

BILL OF MATERIAL

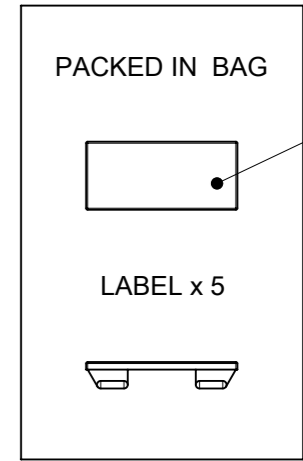
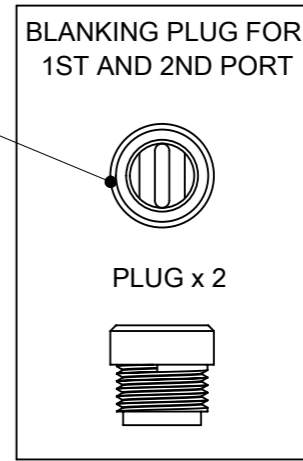
ITEM	QTY.	DESCRIPTION	MATERIAL	FINISH/COLOR
1	20	CONTACT FEMALE	BRASS	Cu/Ni3 min. Au0,5
2	4	GASKET	FPM	RED
3	4	SHELL M12 FEMALE	BRASS	Ni-PLATED
4	5	LABEL	PLASTIC	WHITE
5	1	HOUSING	PBT	BLACK
6	9	FIBER-OPTIC PA	GRILLAMID TR 55 LX NATURAL	TRANSPARENT
7	1	CABLE PLATE	ULTRADUR B4406 G2	YELLOW
8	2	BLANKING PLUG	PP	VDI 3400
9	-	PLOTTING MATERIAL	WEVO	-
10	-	CABLE	PUR	BLACK

L+Tol.[mm] - SEE TABLE 1



BALLUFF LABEL ON BOTTOM

BALLUFF PART NUMBER
LOCATED IN THIS AREA



CABLE SPECIFICATION

CABLE	CROSS SECTION	CABLE JACKET	UL	CSA	STATIC TEMPERATURE BENDING RADIUS	DYNAMIC TEMPERATURE BENDING RADIUS	VOLTAGE RATING ONLY FOR ELECTRICAL USE	TEST VOLTAGE
P80-11T	0.34mm ²	PVC	-	-	-40°C to +90°C >7.5XO.D	-15°C to +90°C >12.5XO.D	300V	2500V

TECHNICAL SPECIFICATION :

VOLTAGE RATING : 10-30 V DC
 AMPERAGE RATING : MODULE - 4 A PER PORT/ 12 A MAX
 PROTECTION : IP67
 OPERATING TEMPERATURE : -5°C TO 80°C

THIS DRAWING CONTAINS INFORMATION THAT IS PROPRIETARY TO MOLEX ELECTRONIC TECHNOLOGIES, LLC AND SHOULD NOT BE USED WITHOUT WRITTEN PERMISSION

SYMBOLS

▽ = 0	mm	SCALE 1:1
▽ = 0	GENERAL TOLERANCES (UNLESS SPECIFIED)	
▽ = 0	ANGULAR TOL ± °	
▽ = 0	4 PLACES ±	
▽ = 0	3 PLACES ±	
▽ = 0	2 PLACES ±	
▽ = 0	1 PLACE ±	0.05
▽ = 0	0 PLACES ±	0.1
■ = 0	DRAFT WHERE APPLICABLE MUST REMAIN WITHIN DIMENSIONS	
▽ = 0	THIRD ANGLE PROJECTION	

CURRENT REV DESC:

EC NO: 605077
 DRWN: MKOWALCZYK01 2018/09/26
 CHK'D: MIWASIECZKO 2018/09/27
 APPR: MIWASIECZKO 2018/09/27

INITIAL REVISION:
 DRWN: MKOWALCZYK01 2018/09/26
 APPR: MIWASIECZKO 2018/09/27

molex

TOP MOUNT 4 PORT PNP XXM PUR

PRODUCT CUSTOMER DRAWING

DOCUMENT NUMBER	DOC TYPE	DOC PART	REVISION
1201140143	PSD	000	A

MATERIAL NUMBER: SEE TABLE 1
 CUSTOMER: GENERAL MARKET
 SHEET NUMBER: 1 OF 1