

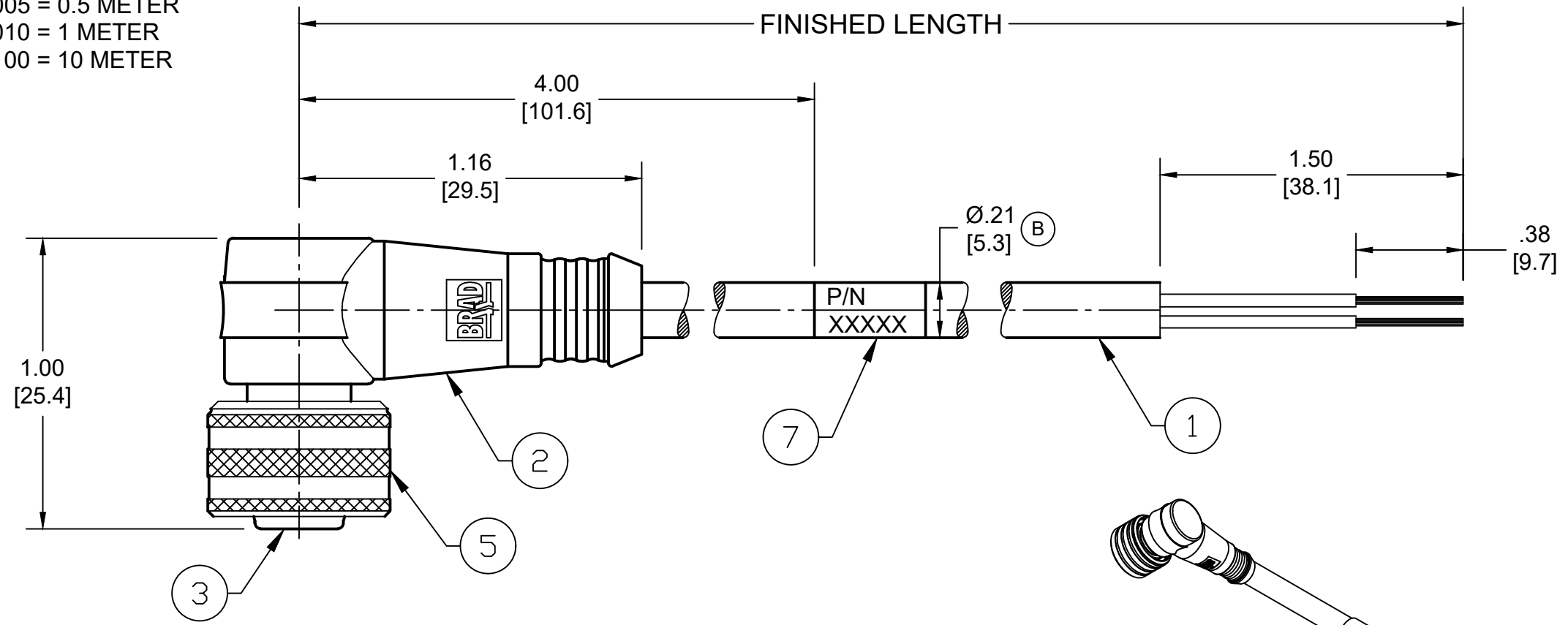
(B)
PART NUMBER LEGEND
W04001K05M050

FINISHED LENGTH
M005 = 0.5 METER
M010 = 1 METER
M100 = 10 METER

PART NO	ENGINEERING NO.	FINISHED LENGTH
1200790193	W04001K05M010	1M [3FT 3 IN]
1200790184	W04001K05M050	5M [16FT 5 IN]
1200790186	W04001K05M100	10M [32FT 10 IN]

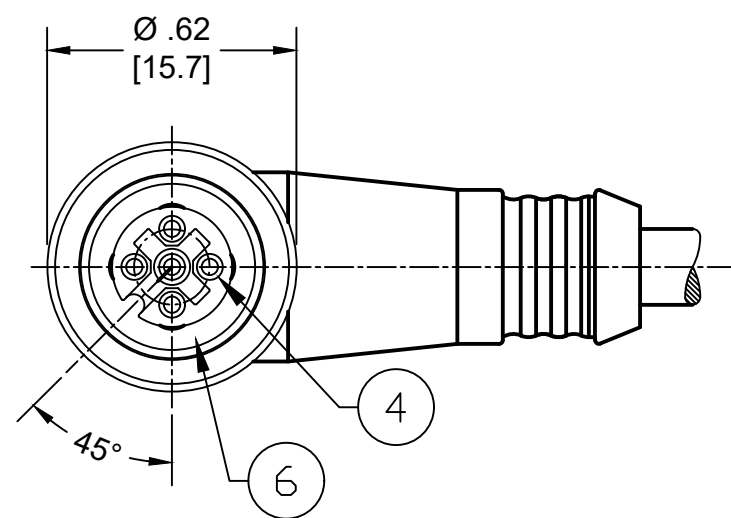
NOTES:

- MATERIAL: SEE TABLE
- FINISH: SEE TABLE
- ELECTRICAL:
VOLTAGE: 250V
CURRENT: 4A
- TEMP RATING: -20°TO +105°C (B)
- PROTECTION: IP67/69K (WHEN MATED)
- CSA CERTIFIED FILE: LR6837 (B)
- ALL DIMENSIONS ARE FOR REFERENCE UNLESS TOLERANCED OR NOTED OTHERWISE



MECHANICAL CHARACTERISTICS: (B)

TORSIONAL FLEX TEST	10 MILLION CYCLES PER MIL-C-13777G
BEND FLEX TEST	10 MILLION CYCLES PER MIL-C-13777G
WELD SLAG RESISTANCE	WOODHEAD STANDARD S-300



ITEM	DESCRIPTION	MATERIAL	FINISH
7	WRAP LABEL	VINYL	BLACK/YELLOW
6	O-RING	VITON	GREEN
5	COUPLER	BRASS	NICKEL PLATED
4	CONTACT SOCKET	COPPER ALLOY	GOLD OVER NICKEL
3	INSERT	PUR	BLACK
2	OVERMOLD	TPC	YELLOW
1	#22/4 CABLE	TPE JACKET	YELLOW

(B)

CABLE LENGTH TOLERANCES

<.3M [1FT]:	+19mm-0 [+.75in-0]
.3 - .9M [1 - 3FT]:	+44.5mm-0 [+1.75in-0]
.9 - 1.8M [3 - 6FT]:	+55.6mm-0 [+2.19in-0]
1.8 - 3.7M [6 - 12FT]:	+88.9mm-0 [+3.50in-0]
3.7 - 7.3M [12 - 24FT]:	+165.1mm-0 [+6.50in-0]
7.3-14.6M [24 - 48FT]:	+317.5mm-0 [+12.50in-0]
14.6 - 30.5M [48-100FT]:	+622.3mm-0 [+24.50in-0]
OVER 30M [100FT]:	+2% OF FINISHED LENGTH

THIS DRAWING CONTAINS INFORMATION THAT IS PROPRIETARY TO MOLEX ELECTRONIC TECHNOLOGIES, LLC AND SHOULD NOT BE USED WITHOUT WRITTEN PERMISSION

FUNCTIONAL SYMBOLS	DIMENSION UNITS	SCALE	CURRENT REV DESC: ITEM #7 WAS PLASTIC FILM. ADDED ITEM #6CSA NUMBER, MECH CHARAC....CABLE DIA, PN LEGEND & TOL CHART. MODIFIED TEMP RATING & PN TABLE	molex		
INCH/MM	NTS	GENERAL TOLERANCES (UNLESS SPECIFIED)	EC NO: 702709	MICRO-CHANGE ULTRA LOCK CORDSET, M12 4-POLE, FEMALE, 90DEG, SINGLE KEY, #22 AWG TPE HI-FLEX		
4 PLACES ±----	±----	mm INCH	DRWN: ABENJAMINLW 2021/08/30	PRODUCT CUSTOMER DRAWING		
3 PLACES ±----	±----		CHK'D: RSTONE 2022/04/11	DOCUMENT NUMBER		
2 PLACES ±----	±----		APPR: BWOODMAN 2022/04/16	SD-120079-010		
1 PLACE ±----	±----		INITIAL REVISION:	DOC TYPE DOC PART REVISION		
0 PLACES ±----	±----		DRWN: TWOLDEGE 2009/07/06	PSD 001 B		
ANGULAR TOL ± --- °	± --- °		APPR: JFMURPHY 2009/07/20	SHEET NUMBER		
DRAFT WHERE APPLICABLE MUST REMAIN WITHIN DIMENSIONS	THIRD ANGLE PROJECTION	DRAWING	SERIES	MATERIAL NUMBER	CUSTOMER	1 OF 1
		A3-SIZE	120079	SEE CHART	GENERAL MARKET	