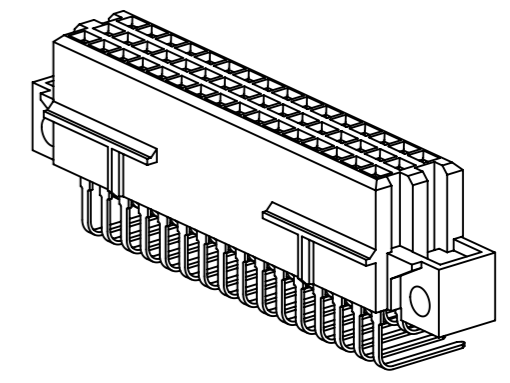
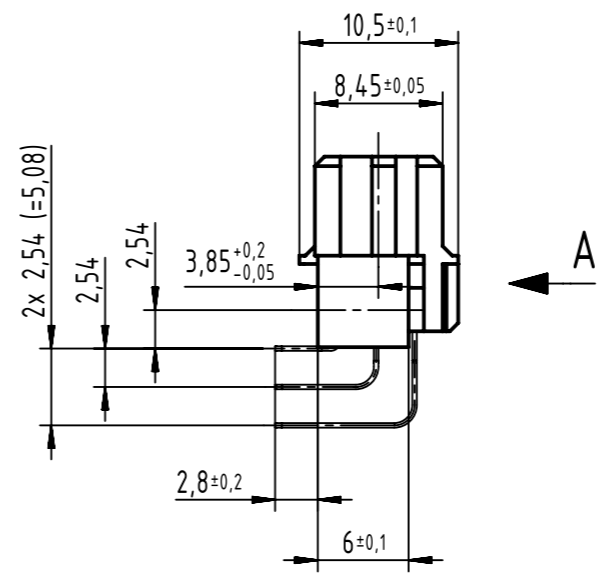


48 signal contacts

X = position with contact

□ = position without contact



1 further information see: DS 09732230202

09 28 248 6804 791	2
part no.	performance level 1

	All Dimensions in mm Original Size DIN A3	Scale 2:1	Free size tol. complementary IEC 60603-2	Ref.	Sub.
	All rights reserved Department EC PD - DE	Created by HASELOH	Inspected by WOLF	Standardisation HOFFMANN	Date 2016-10-17
HARTING Electronics GmbH D-32339 Espelkamp	Title DIN Signal type 2R female SMC 48-pole			Doc-Key / ECM-Nr. 100613548/UGD/040/A 500000110183	
	Type TB	Number 0928248X804791	Rev. A	Page 1/1	