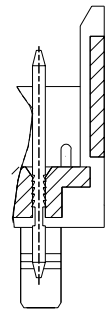
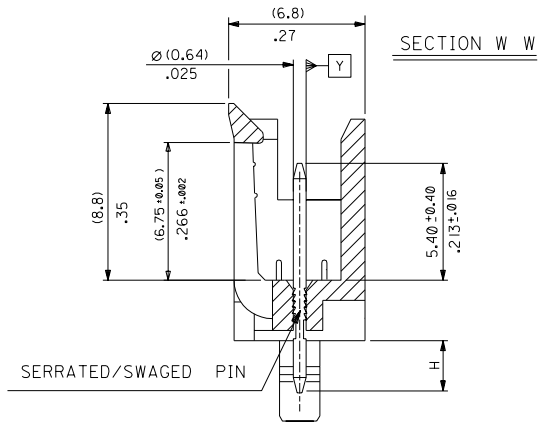
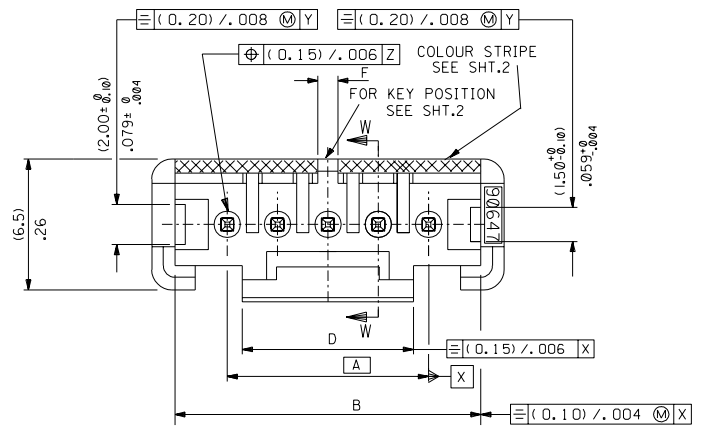
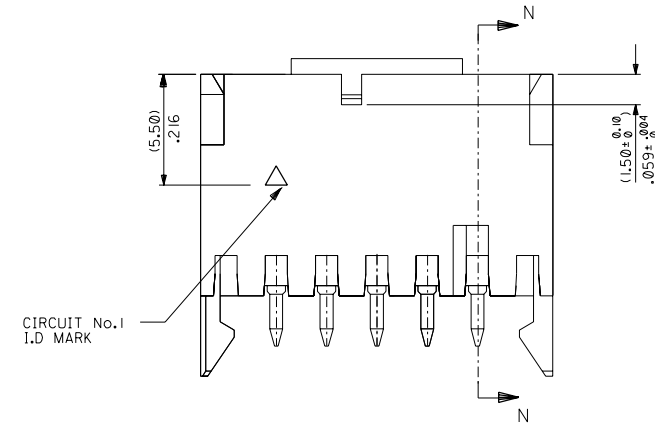
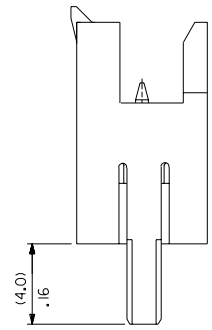
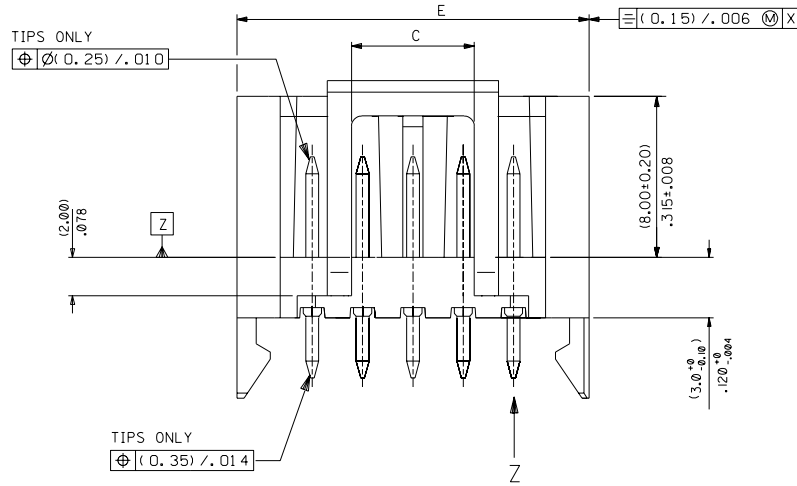


PART NO. SEE CHART
 DWG. NO. SDA-90647



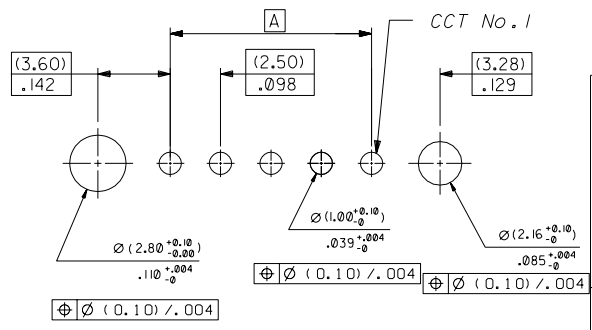
SECTION N- N
 SKIP FEATURE AND KEYING
 IN SAME CIRCUIT.
 2,3 & 4 CKT. ONLY.



NOTES :

- MATERIAL;
 HOUSING: POLYESTER, UL 94V-0, G.E VALOX 310-SE0.
 PINS: BRASS,
 PLATING: (3um)/.118uin MIN. TIN
 TO 95/5 OVER (2um)/.078uin MIN. COPPER OR NICKEL.
- FOR ALL UNSTATED DIMENSIONS, COLOUR I.D AND
 KEYING POSITIONS SEE SHEET 2.

RECOMMENDED P.C.B. HOLE LAYOUT
 PCB LAYOUT : COMPONENT SIDE
 PCB THICKNESS 1.50 TO 1.60.



MODIFIED DIMS
 EC NO. E2004-1124
 DRAWN BY: RYANES 280504
 CHK: BMAGUIRE 0406/10
 APPR: BMAGUIRE 0406/10

REV	DESCRIPTION
L	

QUALITY SYMBOLS	GENERAL TOLERANCES: (UNLESS SPECIFIED)	
	mm	INCH
MAJOR	4 PLACES ±0.	±.
CRITICAL	3 PLACES ±0.	±.006
	2 PLACES ±0.15	±.008
	1 PLACE ±0.25	±.
	ANGULAR: #/2 °	
DRAFT WHERE APPLICABLE MUST REMAIN WITHIN DIMENSIONS		

SCALE 4:1	DESIGN UNITS <input type="checkbox"/> mm <input type="checkbox"/> INCH	THIRD ANGLE PROJECTION	DIMENSIONS: <input checked="" type="checkbox"/> mm <input type="checkbox"/> INCH <input type="checkbox"/> mm <input type="checkbox"/> ONLY	SHT 4	REV L
DRAWN BY & DATE POB 13/10/90		TITLE: 2.5mm Uf Hdr W+B Vt Ltc (2-5Ckt only)		REVISE ON CAD ONLY	
CHECKED BY & DATE BM 13/10/90		APPROVED BY & DATE MW 13/10/90		MATERIAL NO. SEE CHART	
CAD FILENAME S90647X1.DGN		DRAWING NO. SDA-90647		SHEET NO. 10F 4	
THIS DRAWING CONTAINS INFORMATION THAT IS PROPRIETARY TO MOLEX INCORPORATED AND SHOULD NOT BE USED WITHOUT WRITTEN PERMISSION.					
					SIZE B