

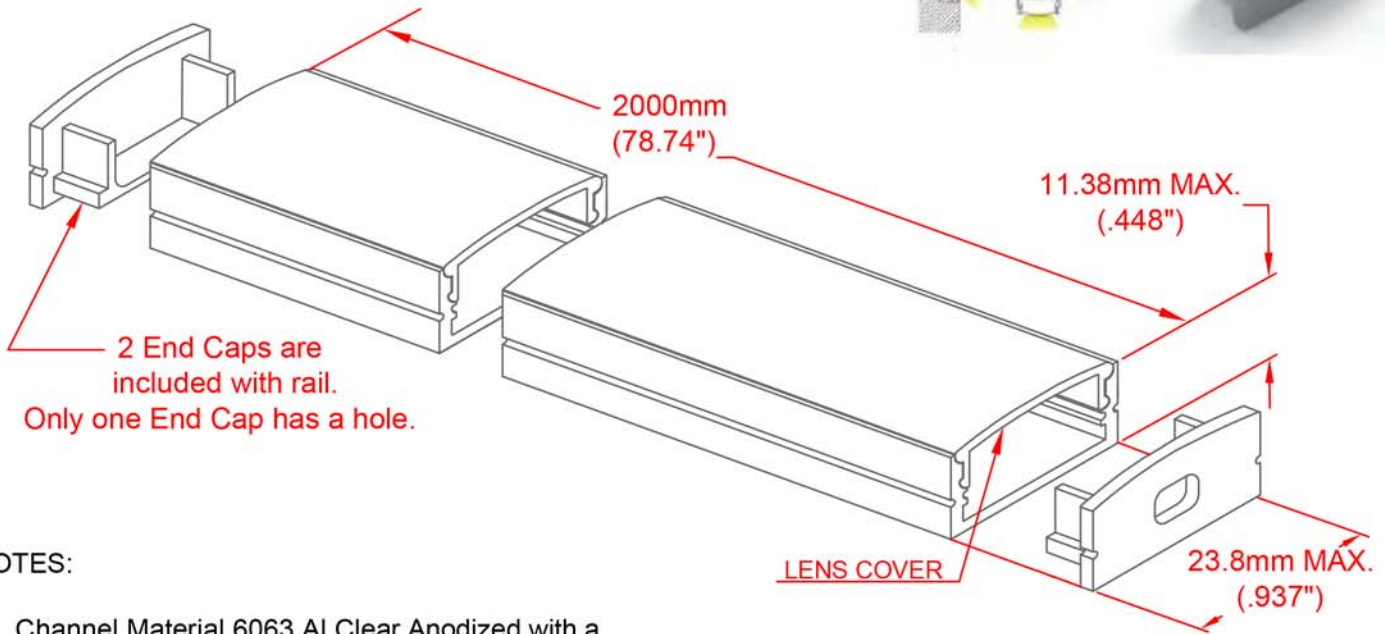
ALUMINUM DOUBLE ROW LED CHANNEL

FEATURES:

Accommodates most double row LED flex ribbons.

Each Channel includes 2 End Caps.

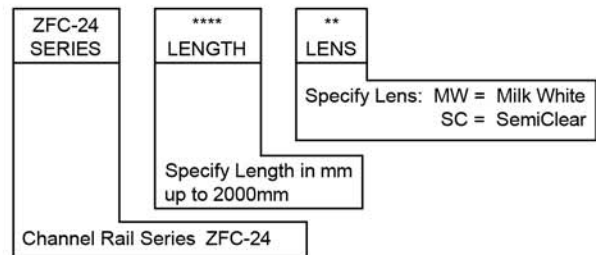
Two High Temperature Lens Options:
Milk White or Semi Clear



NOTES:

1. Channel Material 6063 Al Clear Anodized with a Matte Finish.
2. Polycarbonate Lens Material
 - a) Operating Temperature -26 C to +100 C degrees.

CHANNEL LENGTH AND LENS ORDERING GUIDE



JKL Part Number Example: ZFC-241000-PCMW
Channel Series with 1 Meter (1000mm) Length and High Temperature Polycarbonate Milk White Lens.



End Cap without hole
ZRC-24-ECN



End Cap with hole
ZRC-24-ECH



Compatible Mounting Clip
ZRC-24-MC

METRIC THIRD ANGLE PROJECTION		DIMENSIONS ARE IN mm (INCHES) TOLERANCE UNLESS OTHERWISE SPECIFIED 1 PL +/- REF. 2 PL +/- REF. ANGLE +/-		JKL COMPONENTS CORPORATION					
DRAWN BY L. WENGSTROM		APPVD BY S.C.		DATE 11/28/16	SIZE A	FSCM NO. 55335	DRAWING NO. ZFC-242000-PC		
RELEASE		11/28/16		TITLE ALUMINUM LED CHANNEL ZFC-24-PC SERIES WITH POLYCARBONATE LENS					
REV. NO.	DESCRIPTION/ECO NUMBER	APPVD DATE	- CAD DRAWING - MANUAL REVISIONS NOT PERMITTED		SCALE NONE	RELEASED DATE 11/28/16	REVISION DATE	REV. NO.	SHEET 1 OF 1