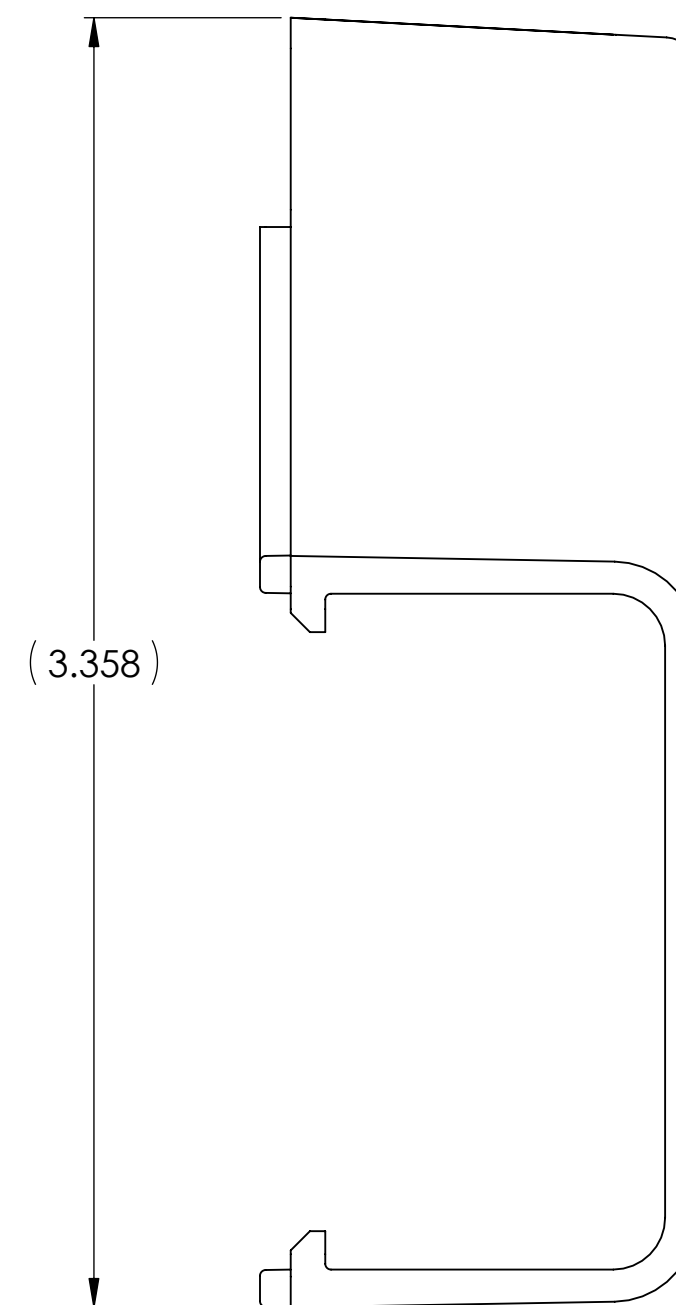
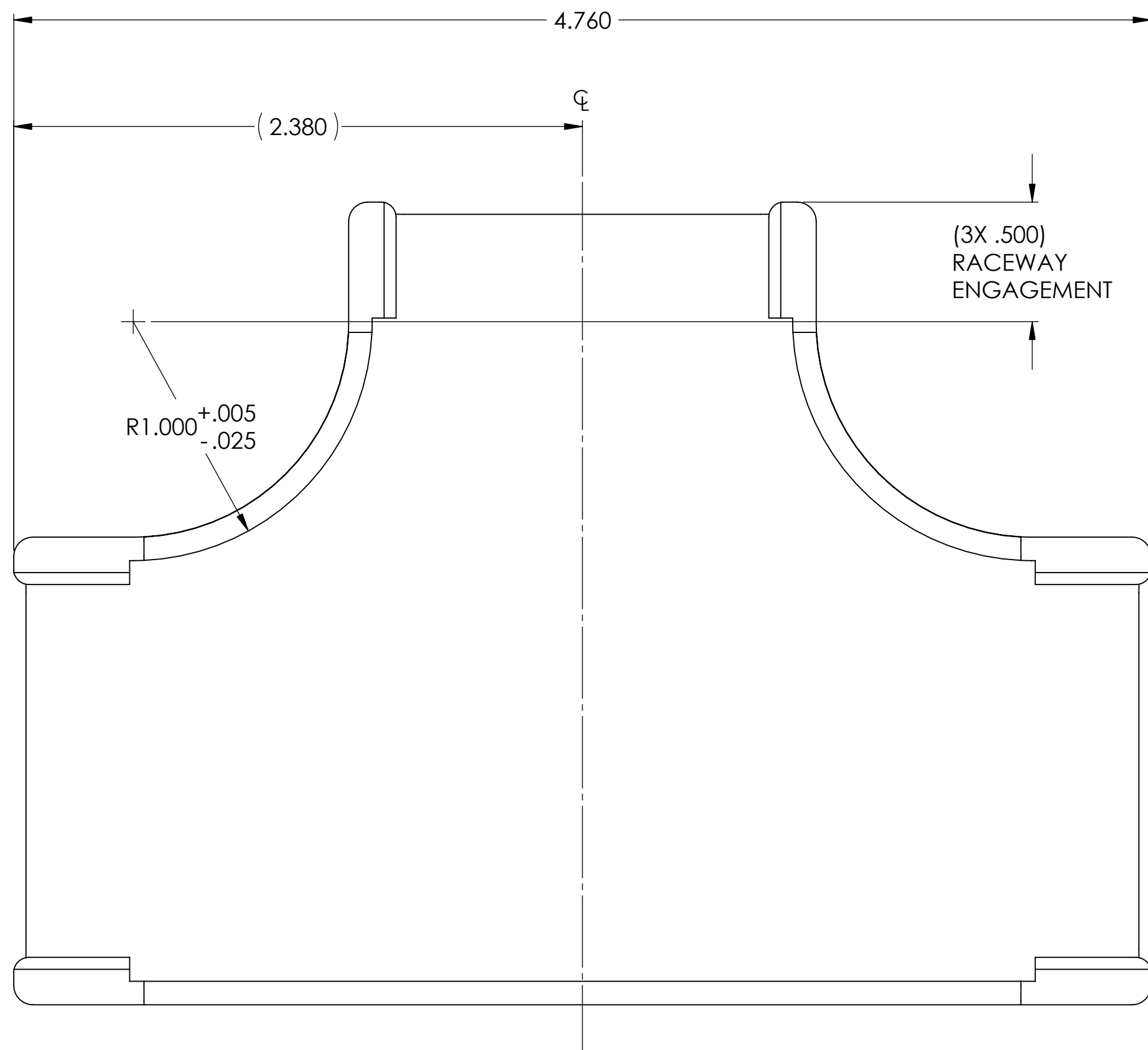


SCALE 1:1



PART NO. DESCRIPTION

TSR3_-21-1

COLOR:
I = IVORY
FW = OFFICE WHITE
W = WHITE
(FOR OTHER COLORS
CONTACT FACTORY)

REDUCED
NO SCALE

INVENTORS

HellermannTyton®

ALL PROPRIETARY RIGHTS IN THE SUBJECT MATTER SHOWN ON THIS DRAWING ARE EXCLUSIVE PROPERTY OF HELLERMANN TYTON

name date city, state

NOTES

- PART IS SYMMETRICAL ABOUT ϕ.
- THIS PART MATES WITH (3) TSR3 RACEWAYS.

REVISIONS

DR level	02
AW by	PLN
IN date	01/02/03
EG ECN #	003571
part level	B

DIMENSIONS

.xxxx	= ± .0005
.xxx	= ± .005
.xx	= ± .01
.x	= ± .03
∠	= ± 0.5°
unless otherwise specified	
units	inches

PART

number	TSR3_-21-1	phase	PRODUCTION
name	TSR3-21-1 02 1 3/4" TEE WITH 1" MIN BEND RADIUS		
material	PVC		

DRAWING

format	version	N	C	CAD	SW	scale	2:1
computer file number	DT3032006CST_02		previous number	DT\CST\3032006A			
drawn	J. STOLZ	checked	KAC	approved			
date	03/25/96	date	02/26/03	sheet	1 of 1		
type	CUSTOMER		sheet	1 of 1			
number	DT3032006CST						