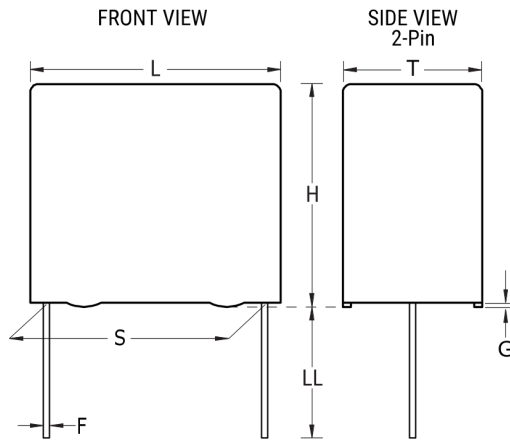


PHE450PA4470JR05

Aliases (F450AG472J1K0C)

Not for New Design

PHE450/F450, Film, Double Metallized Polypropylene, General Purpose, 4700 pF, 5%, 1000 VDC, 85°C, Lead Spacing = 10mm



Click [here](#) for the 3D model.

Dimensions

L	13mm -0.5mm
H	9mm -0.5mm
T	4mm -0.5mm
S	10mm +0.4/-0.4mm
LL	5mm -1mm
F	0.6mm +/-0.05mm
G	0.5mm NOM

Packaging Specifications

Packaging	Bulk, Bag
Packaging Quantity	1000

General Information

Series	PHE450/F450
Dielectric	Double Metallized Polypropylene
Style	Radial
Features	Pulse
RoHS	Yes
Lead	Wire Leads
AEC-Q200	No
Component Weight	0.633 g
Miscellaneous	The Rated Voltage Decreases 1.3%/C Between +85C And +105C. Rthha= 142 C/W (85C), 0.2 m/s.
Notes	Series Replaced by R76.

Specifications

Capacitance	4700 pF
Capacitance Tolerance	5%
Voltage AC	375 VAC
Voltage DC	1000 VDC (85C), 740 VDC (105C)
Temperature Range	-55/+105°C
Rated Temperature	85°C
Dissipation Factor	0.03% 1kHz, 0.04% 10kHz, 0.15% 100kHz
Insulation Resistance	100 GOhms
Max dV/dt	1400 V/us
Inductance	6 nH