
Wireless Water Leak Detector with Rope Sensor

Wireless Water Leak Detector with Rope Sensor

Wireless Sensor Network Based on LoRa Technology



R718WB Data Sheet

Copyright©Netvox Technology Co., Ltd.

This document contains proprietary technical information which is the property of NETVOX Technology. It shall be maintained in strict confidence and shall not be disclosed to other parties, in whole or in part, without written permission of NETVOX Technology. The specifications are subject to change without prior notice.

Wireless Water Leak Detector with Rope Sensor

General Description

R718WB is a non-locating leak detection wireless communication device. R718WB can detect the leak status through an external dual-core non-positioning water rope sensor, and send the detected data to data center through the wireless network. It uses the SX1276 wireless communication module.

Main Features

- Apply SX1276 wireless communication module
- 2 section ER14505 batteries AA SIZE (3.6V/section) parallel power supply
- Non-locating leak detection
- Base with magnet attached to iron objects
- LoRaWAN™ Class A compatible
- Frequency Hopping Spread Spectrum (FHSS)
- Improved interference immunity
- Improved power management for longer battery life and set alerts via SMS text and email (optional)
- Available third-party platform: Actility/ThingPark, TTN, MyDevices/Cayenne
- The base is attached with a magnet that can be attached to a ferromagnetic material object
- Third-Party online wireless sensor monitoring and notification system to configure sensors, view data

Battery Life:

- Please refer to web: http://www.netvox.com.tw/electric/electric_calc.html
- At this website, users can find battery life time for varier models at different configurations.

*1. Actual range may vary depending on environment.

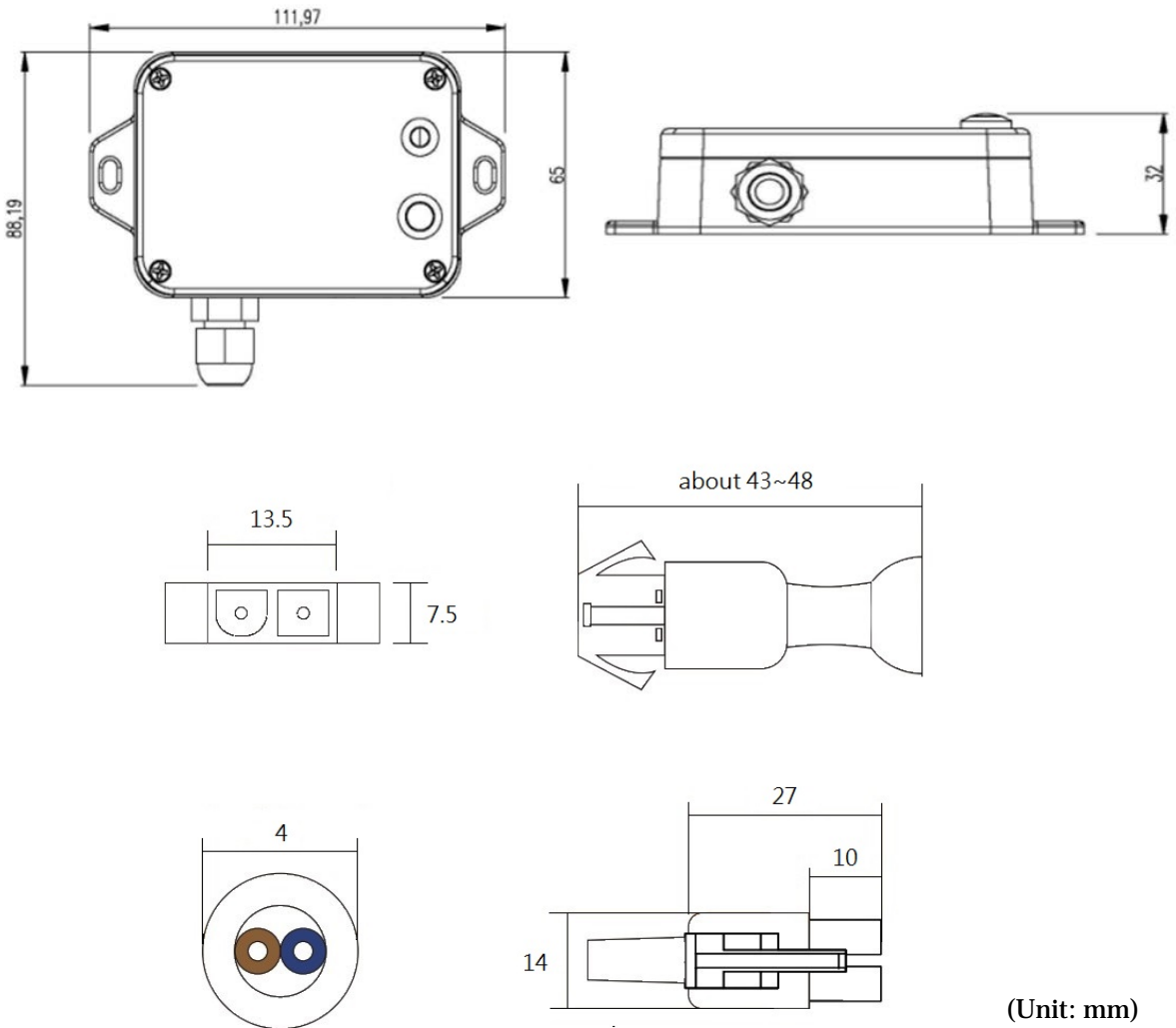
*2. Battery life is determined by sensor reporting frequency and other variables

Wireless Water Leak Detector with Rope Sensor

Example Applications

- Engine room
- Warehouse
- Smart home
- Archives
- Air conditioning
- Semiconductor plant
- Data center

Technical Specifications



(Unit: mm)

Wireless Water Leak Detector with Rope Sensor

Electric

Input Power	2 x 3.6v ER14505 AA size lithium batteries (2400mah/section)
Battery Life	5 years (Conditions: ambient temperature 25 °C, 15 min heartbeats, txpower = 20dBm, LoRa spreading factor SF = 10)
Standby Current	20uA
Wake up Current	6.3mA@3.3V
Low Voltage Threshold	3.2V
Receiving Current (max)	11mA @3.3V
Transmitting Current (max)	120mA/3.3V
Battery Measurement Accuracy	±0.1V

* Specific electrical characteristics may vary depending on the power supply voltage.

Non-positioning Leakage Rope Sensor

Material	Conductive Polyethylene + Alloy Wire
Working Temperature (Max.)	75° C
Diameter	5.5mm
Length	3000mm (±5mm)
Fire Rating Grade	2 Pressure Vent Cable
Quality	18g/m
Color	Orange
Breaking Strength	60 kg
Detect Core Resistance	Less than 5 ohms/100 meters
Recommended Max. Length	300 meters

Wireless Water Leak Detector with Rope Sensor

Frequency

TX Power	US915 20dbm ; AS923 16dbm ; AU915 20dbm ; CN470 19.15dbm ; EU868 16dbm ; KR920 14dbm ; IN865 20dbm ;
Rx Sensitivity	-136dBm (LoRa, Spreading Factor=12, Bit Rate=293bps) -121dBm (FSK, Frequency deviation=5kHz, Bit Rate=1.2kbps)
Antenna Type	Build-in antenna
Communication Range	Up to 10 km, the actual transmission distance depends on the environment.
Data Transfer Rate	0.3kbps ~ 50kbps (LoRa) 1.2kbps ~ 300kbps (FSK)
Spread Technique	LoRa / FSK
Available Frequency	EU863-870, US902-928, AU915-928, KR920-923, AS923-1, AS923-2, AS923-3, IN865-867, CN470-510 (Note: optional, to be done in the factory configuration)

Physical

Dimension	Main Part: L: 112mm*W: 65mm*H: 32mm
Weight	141g
Environment Temperature Range	-20°C ~ 55°C
Environment Humidity Range	<90% RH (No condensation)
Storage Temperature	-40°C ~ 85°C