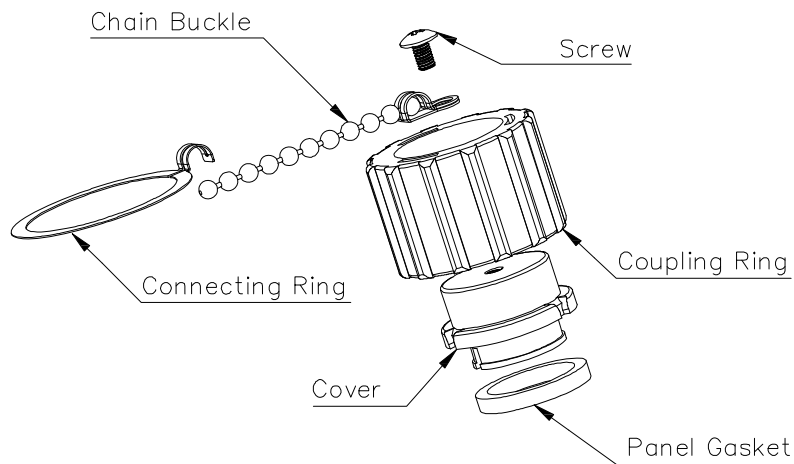
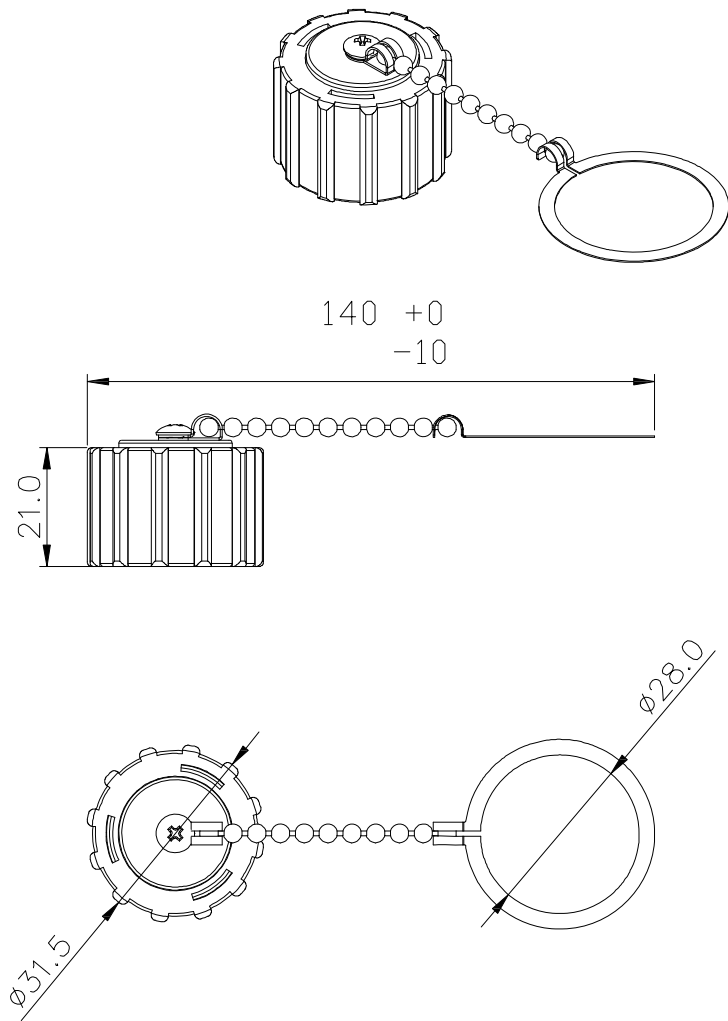


Materials


- Connecting Ring: Stainless Steel
- Screw: Stainless Steel
- Chain Buckle: Stainless Steel
- Panel Gasket: Silicon
- Coupling Ring: Zn Alloy, Nickel Plated
- Cover: Zn Alloy, Nickel Plated

**NOTE: SLOT, INSIDE COVER, MUST BE ALIGNED WITH KEY ON PANEL MOUNT CONNECTOR (IPRJCONN-M) BEFORE ENGAGING COUPLING RING



DO NOT SCALE FROM DRAWING

UNITS = mm

	THESE DRAWINGS AND SPECIFICATIONS ARE THE PROPERTY OF NorComp AND SHALL NOT BE REPRODUCED, COPIED OR USED AS THE BASIS FOR THE MANUFACTURE OF SALE OF APPARATUS WITHOUT WRITTEN PERMISSION.		DRAWN: M. SIGMON	DATE: 05-16-13
	<h1>NorComp</h1>		SCALE: N.T.S.	SHEET 1 OF 1
DWG NO.			IPRJ-CAP-M	

RoHS COMPLIANT