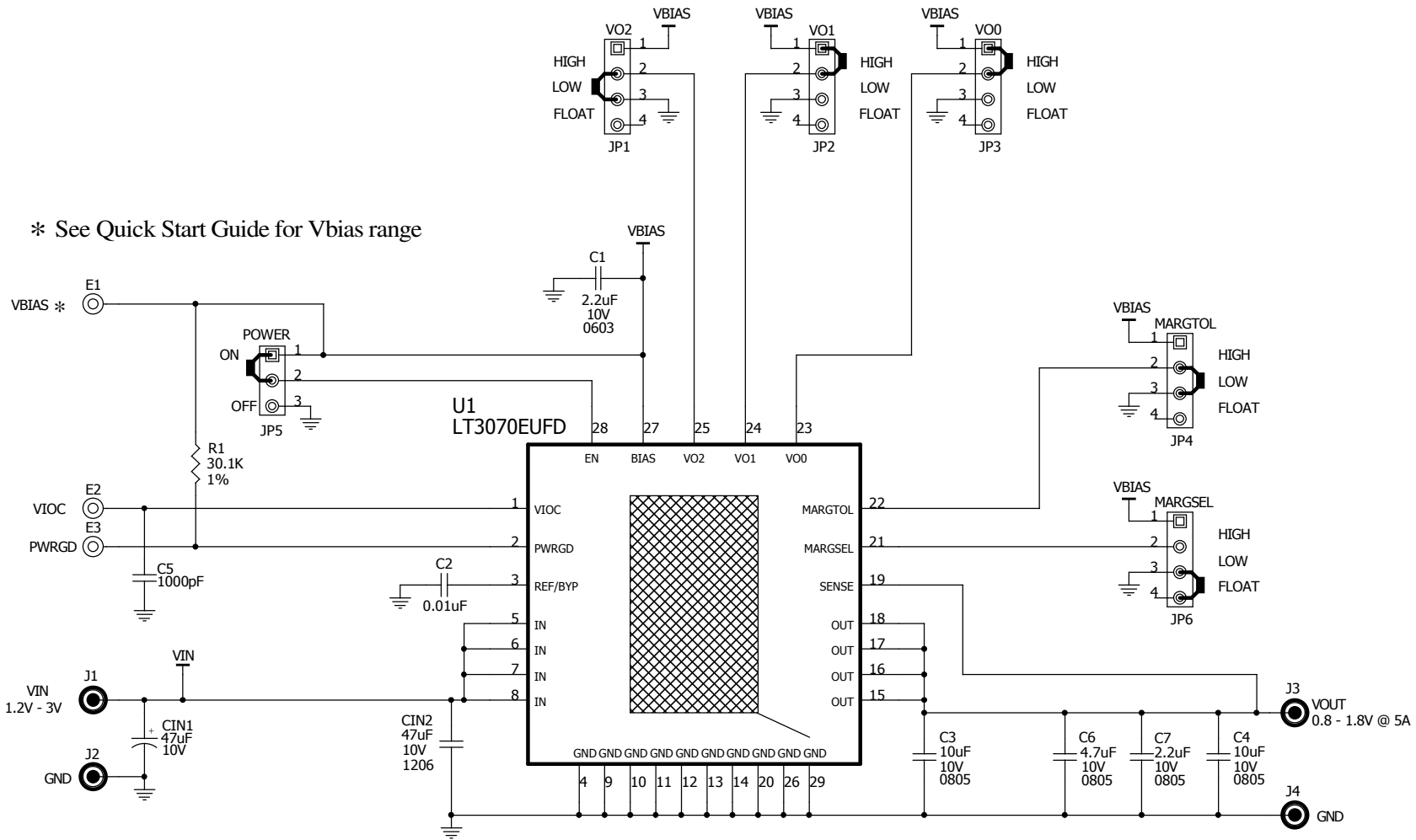


REVISIONS			
REV#	DESCRIPTION	DATE	APPROVED
0	1st Prototype		
2	PRODUCTION	09/11/09	MollyZ



\* See Quick Start Guide for Vbias range

**CUSTOMER NOTICE**  
 LINEAR TECHNOLOGY HAS MADE A BEST EFFORT TO DESIGN A CIRCUIT THAT MEETS CUSTOMER-SUPPLIED SPECIFICATIONS; HOWEVER, IT REMAINS THE CUSTOMER'S RESPONSIBILITY TO VERIFY PROPER AND RELIABLE OPERATION IN THE ACTUAL APPLICATION. COMPONENT SUBSTITUTION AND PRINTED CIRCUIT BOARD LAYOUT MAY SIGNIFICANTLY AFFECT CIRCUIT PERFORMANCE OR RELIABILITY. CONTACT LINEAR TECHNOLOGY APPLICATIONS ENGINEERING FOR ASSISTANCE.  
C:\ORCAD\WINCAPTURE\1433A\1433A\_REV2.DSN  
 THIS CIRCUIT IS PROPRIETARY TO LINEAR TECHNOLOGY AND SUPPLIED FOR USE WITH LINEAR TECHNOLOGY PARTS.

CONTRACT NO.	
APPROVALS	
PCB DES. <i>R</i> B	
ENG. MollyZ	

1630 McCarthy Blvd.  
 Milpitas, CA 95035  
 Phone: (408)432-1900 www.linear.com  
 Fax: (408)434-0507  
 LTC Confidential-For Customer Use Only

**LINEAR TECHNOLOGY**

TITLE: SCHEMATIC  
 5A PROGRAMMABLE VERY LOW DROPOUT REGULATOR

SIZE A	IC NO. <b>LT3070EUFD</b>	REV 2
DATE: Thursday, October 22, 2009	SHEET 1 OF 1	