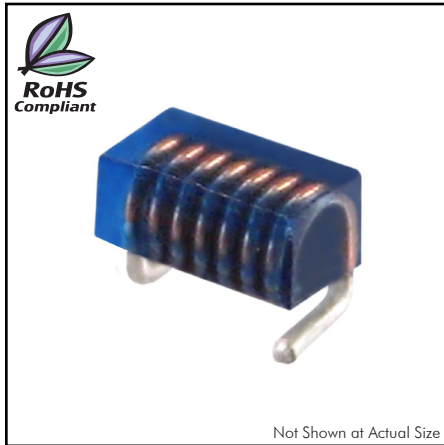


## CTAC1008F Series From 6.8nH to 120nH



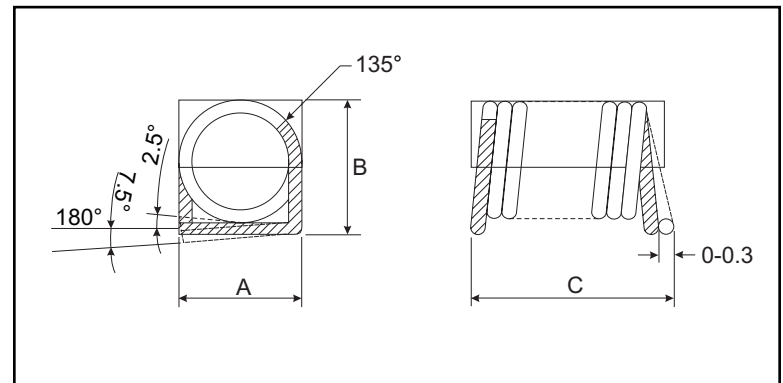
### SPECIFICATIONS

Parts are available in  $\pm 10\%$  inductance tolerance only.

Part Number	Inductance (nH)	Test Freq. (MHz)	Q Min.	SRF (MHz) Min.	DCR (m $\Omega$ ) Max.	IDC (mA) Max.
CTAC1008F-6N8K	6.8	300	80	>3000	4.0	1200
CTAC1008F-8N2K	8.2	300	80	>3000	5.0	950
CTAC1008F-10NK	10	300	70	>3000	6.0	950
CTAC1008F-12NK	12	300	70	>3000	6.5	900
CTAC1008F-15NK	15	300	70	2500	7.3	900
CTAC1008F-18NK	18	300	70	2500	9.6	840
CTAC1008F-22NK	22	300	70	2400	10.8	840
CTAC1008F-27NK	27	300	70	1600	13.9	600
CTAC1008F-33NK	33	300	70	1600	19.5	500
CTAC1008F-39NK	39	300	70	1500	21.6	500
CTAC1008F-47NK	47	300	70	1500	25.2	470
CTAC1008F-56NK	56	300	70	1300	27.5	470
CTAC1008F-68NK	68	300	70	1300	37.1	380
CTAC1008F-82NK	82	300	70	1000	51.5	320
CTAC1008F-R10K	100	300	70	1000	55.5	320
CTAC1008F-R12K	120	300	70	950	63.4	320

### PHYSICAL DIMENSIONS

Size	A	B	C
	Max.	Max.	Max.
mm	1.90	2.20	3.20
inches	0.075	0.087	0.126



### CHARACTERISTICS

**Description:** SMD air core inductor

**Applications:** Pager, Cordless phone & High Freq. Communication Products, Intercom, CATV

**Operating Temperature:** -25°C to +85°C

**Inductance Tolerance:**  $\pm 10\%$

**Testing:** Inductance is tested on a HP4286A at 300MHz

**Packaging:** Tape & Reel.

**Miscellaneous:** **RoHS Compliant.**

**Additional Information:** Additional electrical & physical information available upon request.

**Samples available. See website for ordering information.**

### PAD LAYOUT

