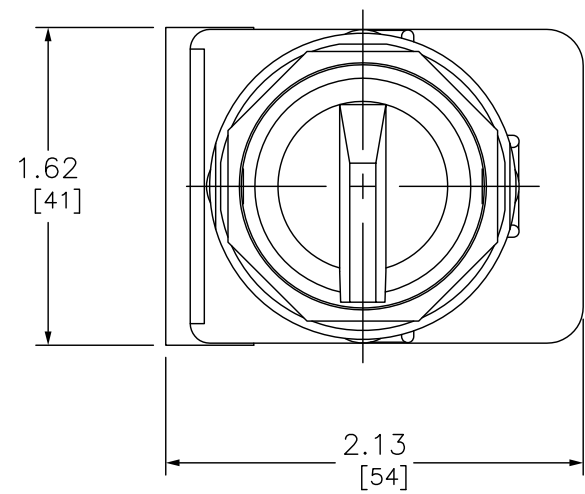
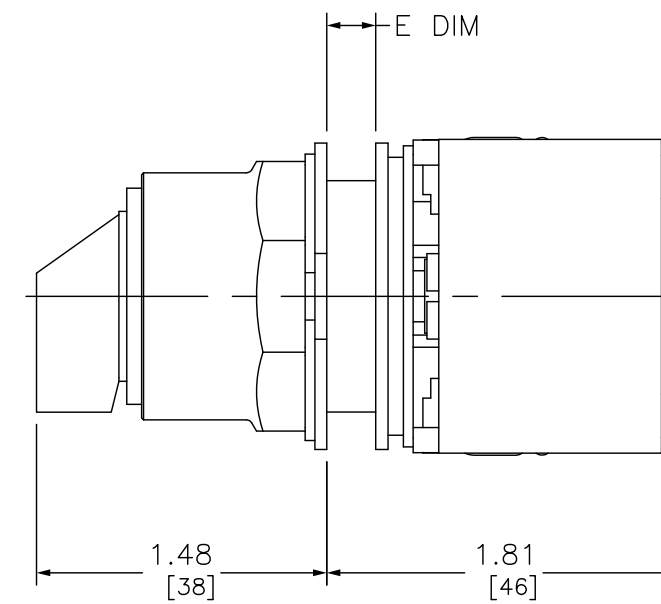


PANEL THICKNESS E DIM		NUMBER OF GASKET
IN	MM	
.06	2	4
.13	3	3
.19	5	2
.25	6	1



FRONT



RIGHT

DUAL DIMENSIONS: INCHES
MILLIMETERS

SELECTOR SWITCH OPERATOR 30MM SK

SQUARE D[™]
by Schneider Electric

DWG# 9001SK11J1R
NO.