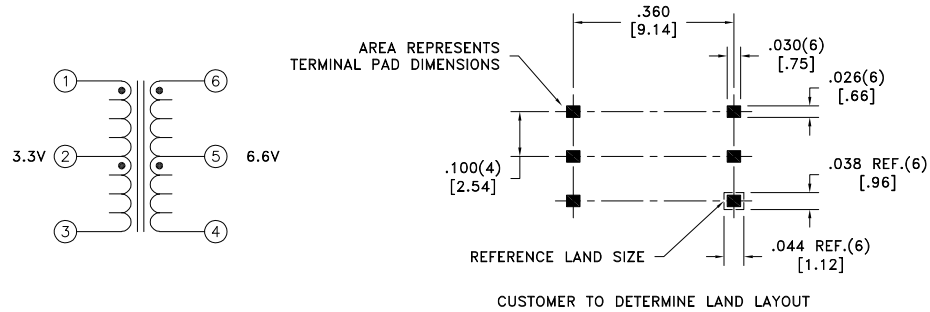
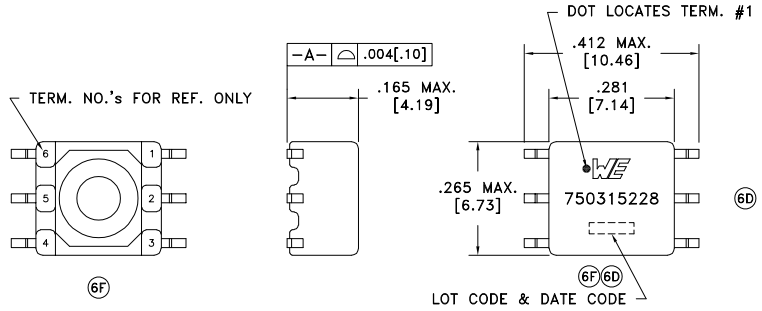


CUSTOMER TERMINAL	RoHS	LEAD(Pb)-FREE
Sn96%, Ag4%	Yes	Yes



ELECTRICAL SPECIFICATIONS @ 25°C unless otherwise noted:

PARAMETER	TEST CONDITIONS	VALUE
D.C. RESISTANCE	1-3 @20°C	0.189 ohms ±10%
D.C. RESISTANCE	6-4 @20°C	0.407 ohms ±10%
INDUCTANCE	1-3 100kHz, 10mVAC, Ls	388uH ±30%
DIELECTRIC	1-6 3438VAC, 1 second	2750VAC, 1 minute
TURNS RATIO	(6-4):(1-3)	2:1, ±1%



GENERAL SPECIFICATIONS:

OPERATING TEMPERATURE RANGE: -40°C to +125°C.

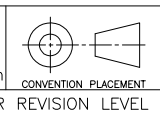
Designed to comply with the following requirements as defined by IEC60950-1, EN60950-1, UL60950-1/CSA60950-1 and AS/NZS60950.1:
- Functional insulation.

CURRENT RATING: 160mA

VOLTAGE - TIME: 9.44Vus (1-2)

DETAILS SUBJECT TO CHANGE

REV.	DATE	Packaging Specifications
6F	12/20	Method: Tape & Reel
6E	7/17	PKG-0895
6D	7/16	www.we-online.com/midcom
6C	10/15	SEE REVISION SHEET FOR REVISION LEVEL



Tolerances unless otherwise specified:
Angles: ±1°
Decimals: ±.005 [.13]
Fractions: ±1/64
Footprint: ±.005 [.13]

This drawing is dual dimensioned. Dimensions in brackets are in millimeters.

DRAWING TITLE
TRANSFORMER

eiSos p/n: 750315228



PART NO.
750315228

SPECIFICATION SHEET 1 OF 1