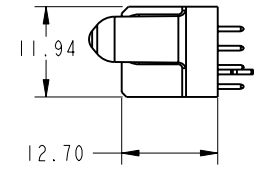
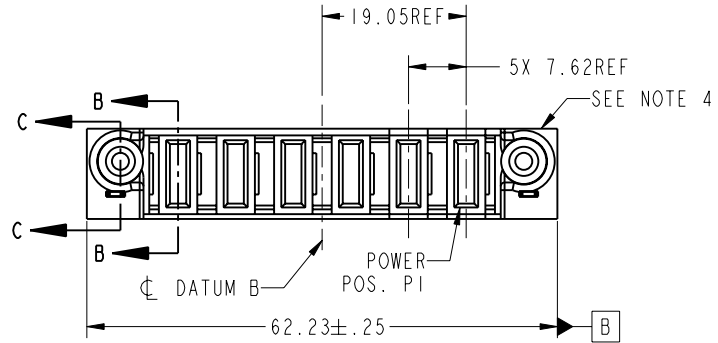


Tous droits strictement reserves. Reproduction ou communication a des tiers interdite sous quelque forme que ce soit sans autorisation ecrite du proprietaire. Propriete de c FCI. Droits de reproduction FCI.



All rights strictly reserved. Reproduction or issue to third parties in any form whatever is not permitted without written authority from the proprietor. Property of FCI. Copyright FCI.

PRODUCT NO.	POWER							
	E2	P6	P5	P4	P3	P2	P1	E1
51940-194-- NOTE: 3								



CODE	DIM "M" MATING LENGTH	CONTACT TYPE
PA	[1.07]	POWER
PD	[2.34]	POWER
HA	[N/A]	HOLD-DOWN

mat'l code				SEE NOTE		tolerances unless otherwise specified		CUSTOMER		CONFIDENTIAL	
litr	ecr no.	dr	date	linear	0.X ± 0.3		COPY		FCI www.fciconnect.com		
A	DG06-0317	JMG	07/28/06		0.XX ± 0.10		projection				
				angles	0.XXX ± 0.050		 MM scale 1:1		title		
				dr	JM GUO	07/28/06			6ACP		
				engr	SALLY LUO	07/28/06	VERTICAL SOLDER RECEPT		product family		
				chr	BEER FU	07/28/06	PwrBlade		code		
				oppd	JOSEPH HSIA	07/28/06	size		213		
sheet index		revision sheet		A	A	A	A	size		1 of 4	
1		2		3	4			A		51940-194	
								cage code		22526	
										4	

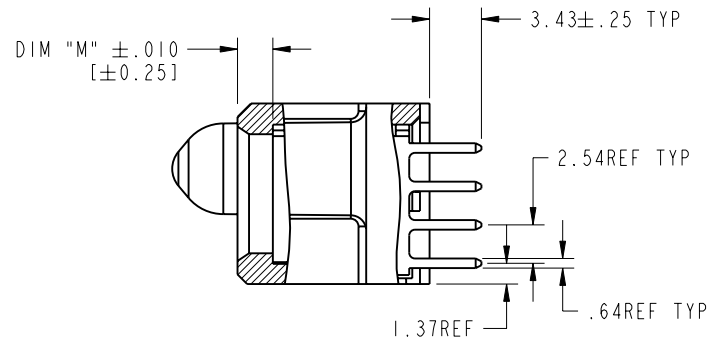
Pro/E

Tous droits strictement reserves. Reproduction ou communication a des tiers interdite sous quelque forme que ce soit sans autorisation ecrite du proprietaire. Propriete de c FCI. Droits de reproduction FCI.

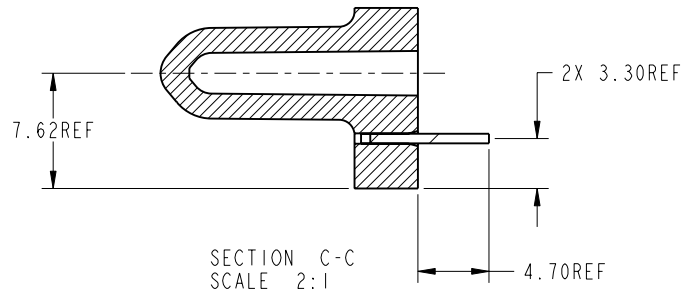
All rights strictly reserved. Reproduction or issue to third parties in any form whatever is not permitted without written authority from the proprietor. Property of FCI. Copyright FCI.

PRODUCT NUMBER

51940-194__
NOTE: 3



SECTION B-B
SCALE 2:1



SECTION C-C
SCALE 2:1

CONFIDENTIAL

mat'l code				SEE NOTE		tolerances unless otherwise specified		CUSTOMER		FCI www.fciconnect.com	
lfr	ecr no.	dr	date	linear	0.X ±0.3		COPY		projection	title	
A					0.XX ±0.10		MM			6ACP VERTICAL SOLDER RECEIPT	
					0.XXX ±0.050		1:1			product family PwrBlade code 213	
				angles	0° ±2°		scale		size		
				dr	JM GUO	07/28/06	A		dwg no		
				enqr	SALLY LUO	07/28/06	A		51940-194		
				chr	BEER FU	07/28/06	A		sheet 2 of 4		
				appd	JOSEPH HSIA	07/28/06	A				
sheet index	revision sheet										

Pro/E

cage code 22526

PDM: Rev:A

STATUS: Released

Printed: Dec 20, 2010

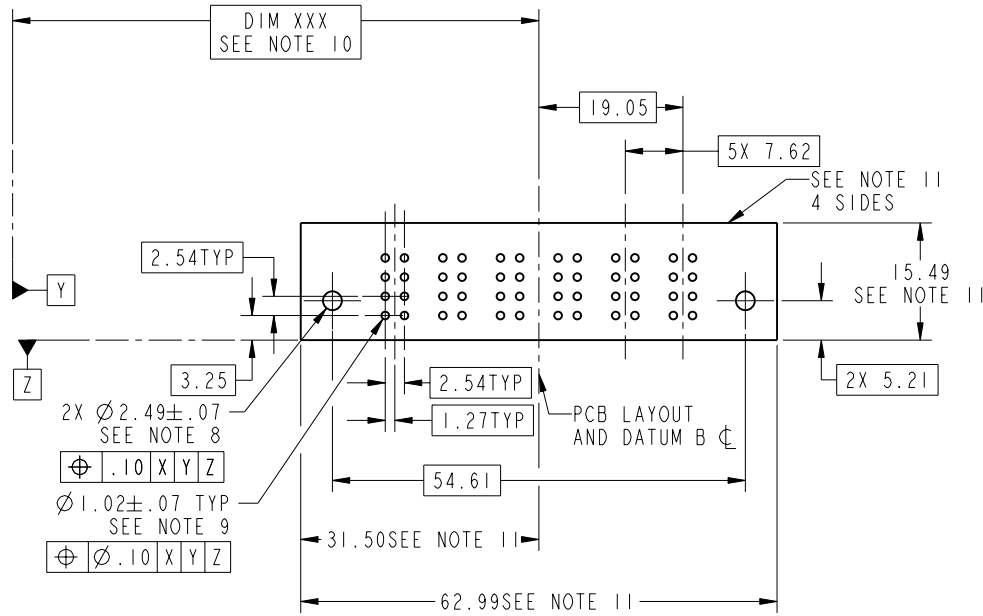
Tous droits strictement reserves. Reproduction ou communication a des tiers interdite sous quelque forme que ce soit sans autorisation écrite du propriétaire. Propriete de c FCI. Droits de reproduction FCI.



All rights strictly reserved. Reproduction or issue to third parties in any form whatever is not permitted without written authority from the proprietor. Property of FCI. Copyright FCI.

PRODUCT NUMBER

51940-194__
NOTE: 3



CONFIDENTIAL

mat'l code				SEE NOTE		tolerances unless otherwise specified		CUSTOMER		 www.fciconnect.com	
ltr	ecr no.	dr	date	linear	0.X ± 0.3		COPY		 MM	title	
A					0.XX ± 0.10		projection			6ACP	
					0.XXX ± 0.050		 MM			VERTICAL SOLDER RECEPT	
				angles	0° ± 2°		scale		product family		
				dr	JM GUO	07/28/06	1:1		PwrBlade		
				engr	SALLY LUO	07/28/06			code		
				chr	BEER FU	07/28/06			size		
				appd	JOSEPH HSIA	07/28/06			dwg no		
sheet index		revision sheet						A		51940-194	
										213	
										3 of 4	

Pro/E

cage code 22526

PDM: Rev:A

STATUS: Released

Printed: Dec 20, 2010

Tous droits strictement réservés. Reproduction ou communication o des tiers interdite sous quelque forme que ce soit sans autorisation écrite du propriétaire. Propriété de c FCI. Droits de reproduction FCI.



All rights strictly reserved. Reproduction or issue to third parties in any form whatever is not permitted without written authority from the proprietor. Property of FCI. Copyright FCI.

PRODUCT NUMBER

51940-194__
NOTE: 3

NOTES:

1. DIMENSIONS AND TOLERANCES ARE IN ACCORDANCE WITH ASME Y14.5M, 1994 UNLESS OTHERWISE SPECIFIED.

CONNECTOR NOTES:

- 2 HOUSING MATERIAL: UL 94 V-0 GLASS FILLED
HIGH-TEMP THERMOPLASTIC
POWER CONTACT MATERIAL: COPPER ALLOY
SIGNAL PIN MATERIAL: COPPER ALLOY
 - 3. 51940-194;51940-194LF;51940-194GLF PLATING SPEC. SEE PRINT:10064183
 - 4 MANUFACTURER'S NAME, P/N, AND DATE CODE TO APPEAR ON THIS SURFACE.
 - 5. PRODUCT SPECIFICATION GS-12-149.
APPLICATION SPECIFICATION BUS-20-067.
 - 6. PACKAGED IN TRAYS.
- PCB NOTES:
- 7. ALL HOLE DIAMETERS ARE FINISHED HOLE SIZE.
 - 8 MOUNTING HOLES, WHERE APPLICABLE, ARE UNPLATED.
 - 9 $\varnothing 1.151 \pm 0.025$ DRILLED HOLES PLATED WITH
0.008 MIN SnPb OVER 0.03
TO 0.08 Cu PLATING TO ACHIEVE
 $\varnothing 1.02 \pm 0.07$ HOLE.
 - 10 "DIM XXX" TO BE DETERMINED BY THE CUSTOMER.
 - 11 CONNECTOR KEEP-OUT ZONE.

CONFIDENTIAL

mat'l code				SEE NOTE		tolerances unless otherwise specified		CUSTOMER		FCI www.fciconnect.com	
ltr	ecr no.	dr	date	linear	0.X ±0.3		COPY		projection	title	
A					0.XX ±0.10		MM			6ACP	
					0.XXX ±0.050		←→			VERTICAL SOLDER RECEPT	
				angles	0° ±2°		scale		product family		
				dr	JM GUO	07/28/06	1:1		PwrBlade		
				engr	SALLY LUO	07/28/06			code		
				chr	BEER FU	07/28/06			size		
				appd	JOSEPH HSIA	07/28/06			dwg no		
sheet index		revision sheet						A		213	
								51940-194		4 of 4	

coge code 22526

Pro/E

PDM: Rev:A

STATUS: **Released**

Printed: Dec 20, 2010