

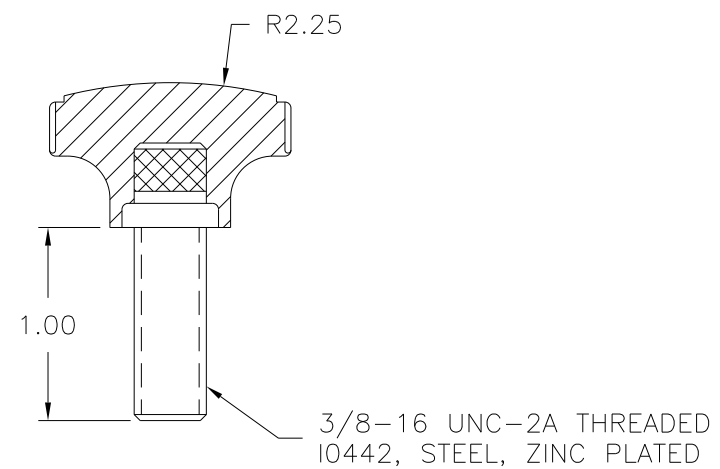
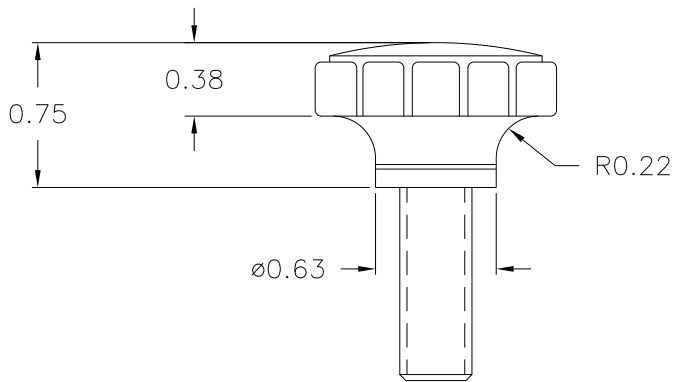
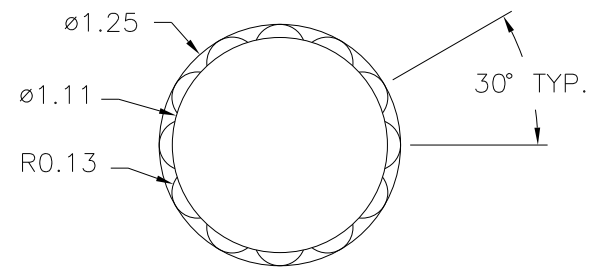
PART NAME: KNOB SCALE: 1:1 DATE: 2/19/71 DR. BY NH

THIS DRAWING IS THE PROPERTY OF DAVIES MOLDING COMPANY, IS SUBMITTED SOLELY AS A DESIGN OR ENGINEERING PROJECT. WE ACCEPT NO RESPONSIBILITY WHATSOEVER FOR THE PRACTICAL APPLICATION OF THE PIECES MADE TO THIS DESIGN.



DESIGNERS & MANUFACTURERS OF KNOBS, HANDLES, CASES & CUSTOM PLASTIC COMPONENTS

P/N	3008EV
M ^{NO.}	3008
CAVITY	3008
PLUNGER	3008
PIN	3008-23
SHIMS	3008-A&B
INSERT	I0442



MATERIAL: G.P. PHENOLIC (B11)
COLOR: BLACK

TOLERANCES: UNLESS OTHERWISE SPECIFIED	DO NOT SCALE DRAWING			
DECIMALS: X.XXX ± .005 X.XX ± .015	MM: X.XX ± 0.15MM X.X ± 0.4MM	-	RE-DID REDRAW	TL 11/29/99
FRACTIONS ± 1/64	ANG. ± 1°	-	CAD REDRAW	HD 9/6/97
CHANGES				