


Pressure screw set - HC-DS-PG29-E - 1676909

Please be informed that the data shown in this PDF Document is generated from our Online Catalog. Please find the complete data in the user's documentation. Our General Terms of Use for Downloads are valid (<http://phoenixcontact.com/download>)



Pg pressure screw set, standard version; for housing with Pg29 support; consisting of pressure screw, notched seal and 2 washers

Key Commercial Data

Packing unit	10 pc
GTIN	 4 017918 129521
GTIN	4017918129521

Technical data

Dimensions

Wrench size, union nut	37 mm
External cable diameter	18 mm ... 27 mm

Ambient conditions

Degree of protection	IP54
Ambient temperature (operation)	-20 °C ... 80 °C

General

No. of conductors	1
Material, pressure screw	Nickel-plated brass
Cable seal material	Perbunan
Shielded	no
Thread type on connection side	Pg29

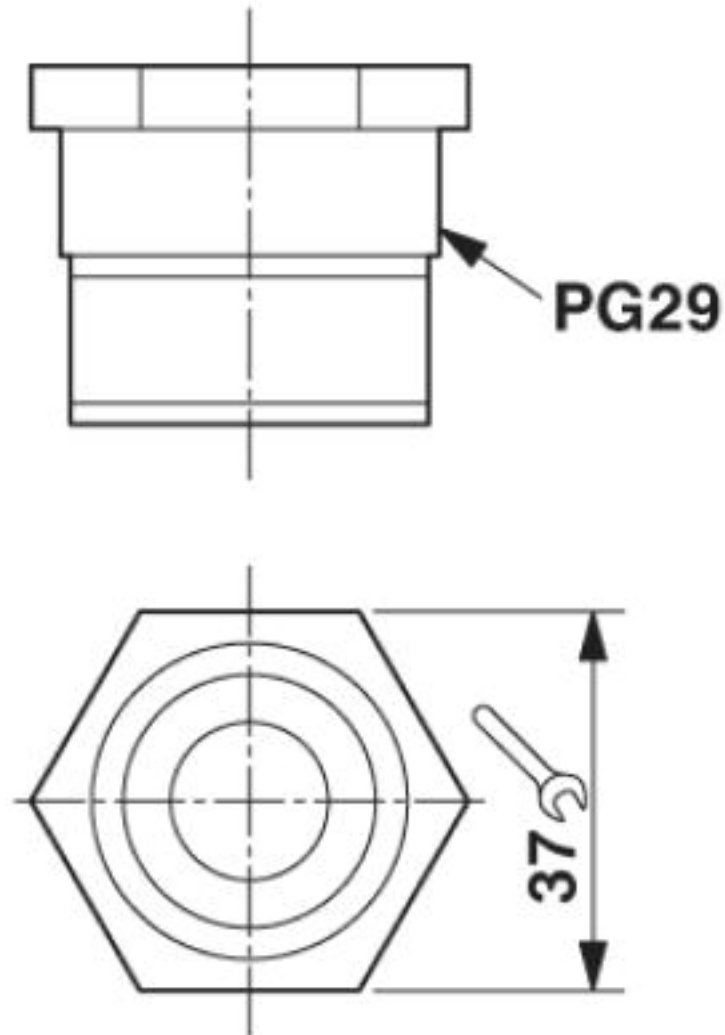
Environmental Product Compliance

China RoHS	Environmentally friendly use period: unlimited = EFUP-e
	No hazardous substances above threshold values

Drawings

Pressure screw set - HC-DS-PG29-E - 1676909

Dimensional drawing



Dimensional drawing

Phoenix Contact 2019 © - all rights reserved
<http://www.phoenixcontact.com>

PHOENIX CONTACT GmbH & Co. KG
Flachsmarktstr. 8
32825 Blomberg
Germany
Tel. +49 5235 300
Fax +49 5235 3 41200
<http://www.phoenixcontact.com>