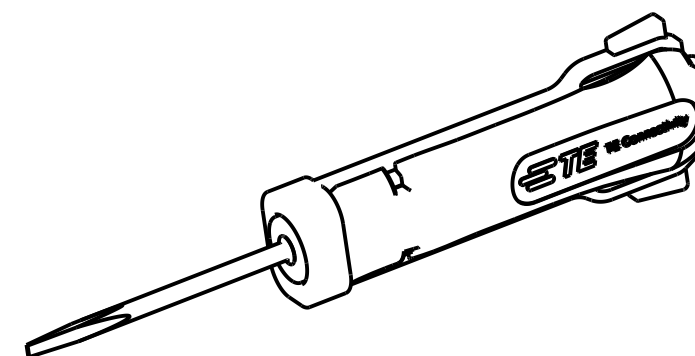
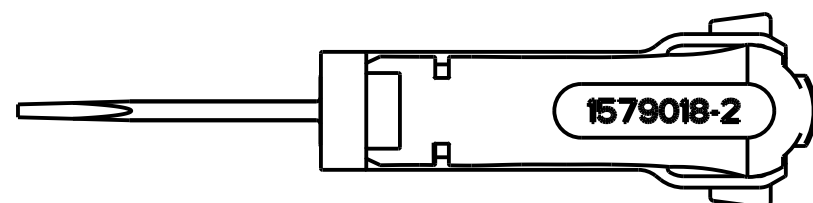
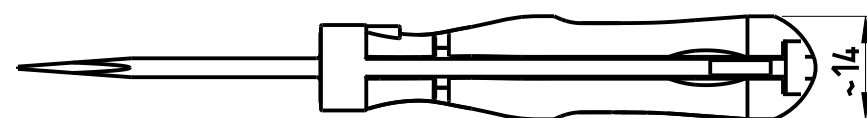
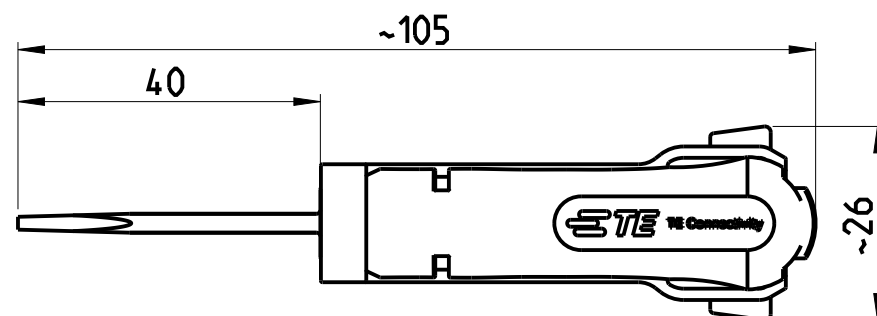


© 2021 TE Connectivity. All Rights Reserved.

REVISIONS

P	LTR	DESCRIPTION	DATE	DWN	APVD
	A1	ECR-21-001703	18FEB2021	PNT	GS



APPLICATION RANGE / Anwendungsbereich :

Replacement for: 549681-2
Ersatz fuer: 549681-2

THIS DRAWING IS A CONTROLLED DOCUMENT.		DWN L. Sandhu 16SEP2008			
DIMENSIONS: mm		CHK G. Stegmayer 16SEP2008			
TOLERANCES UNLESS OTHERWISE SPECIFIED:		APVD G. Stegmayer 16SEP2008	NAME EXTRACTION TOOL Entriegelungswerkzeug		
		PRODUCT SPEC	RESTRICTED TO		
MATERIAL		APPLICATION SPEC	SIZE A3	CAGE CODE 00779	DRAWING NO C-1579018-2
FINISH		WEIGHT	SCALE 1:1		SHEET 1 OF 1
		CUSTOMER DRAWING	REV A1		