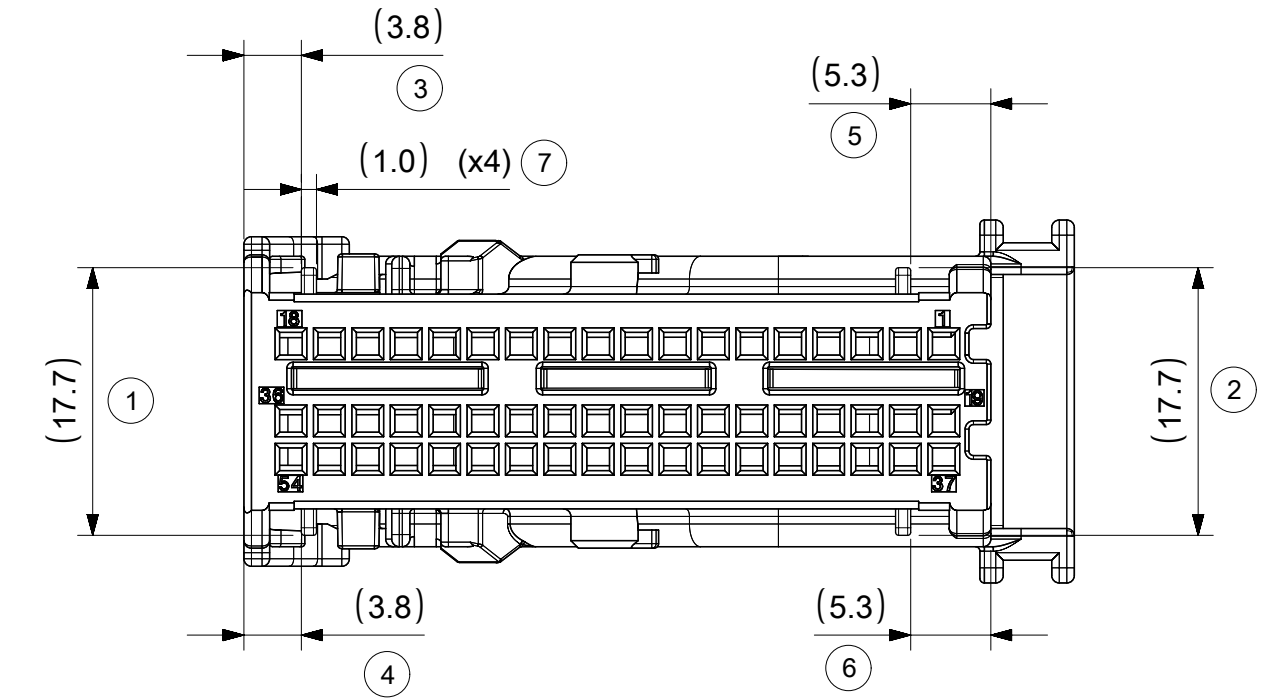
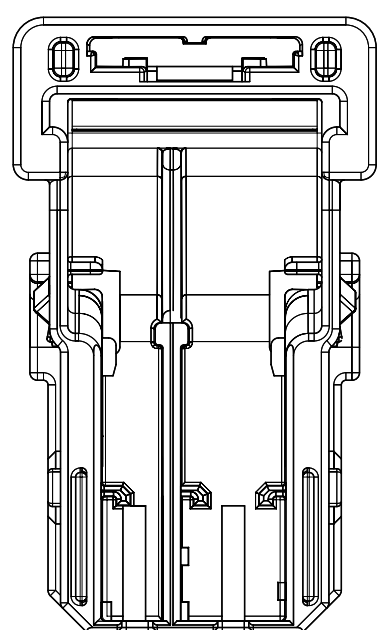
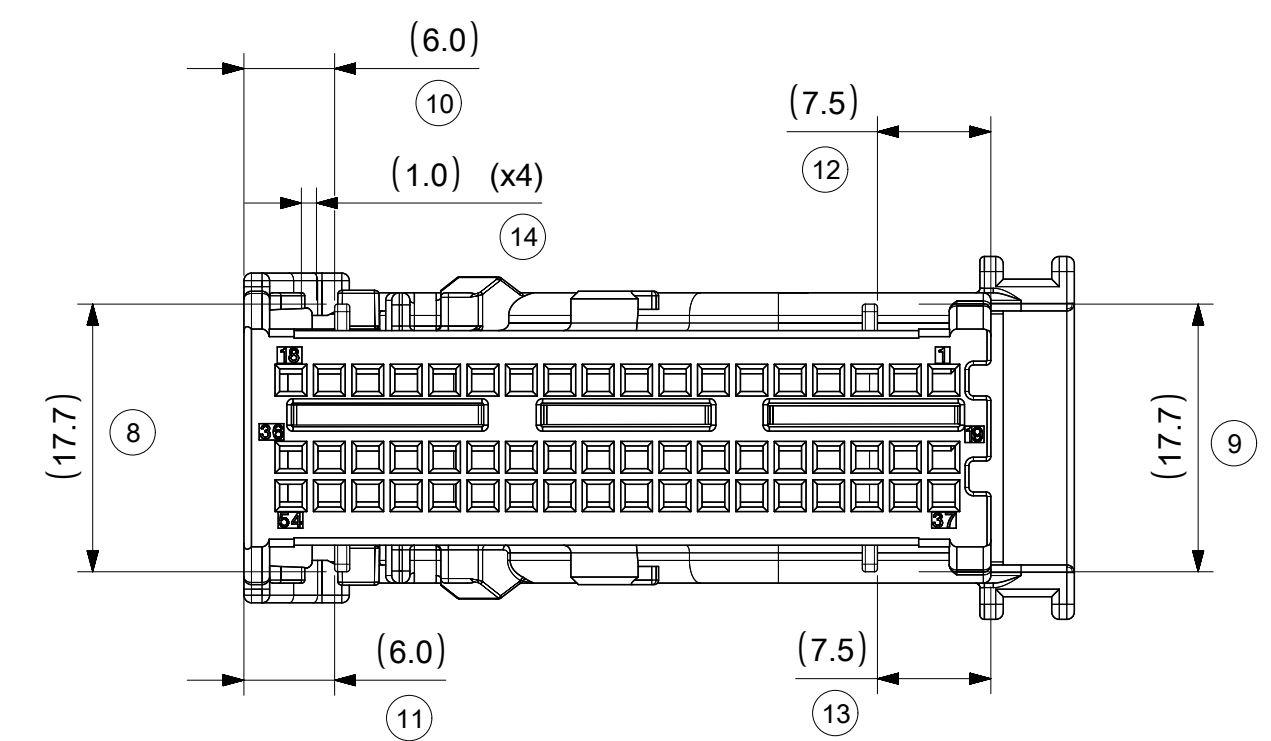
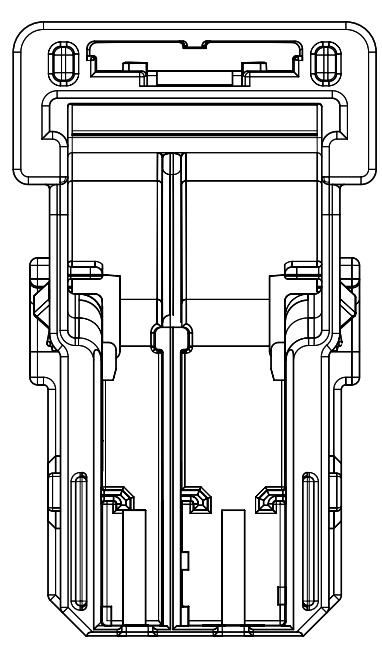


PART NUMBER:	098982 5011	CODING:	BLACK
MODULES P/N TO BE USED:	098982 5055	18W	GREEN
	098982 5065	36W	GREEN



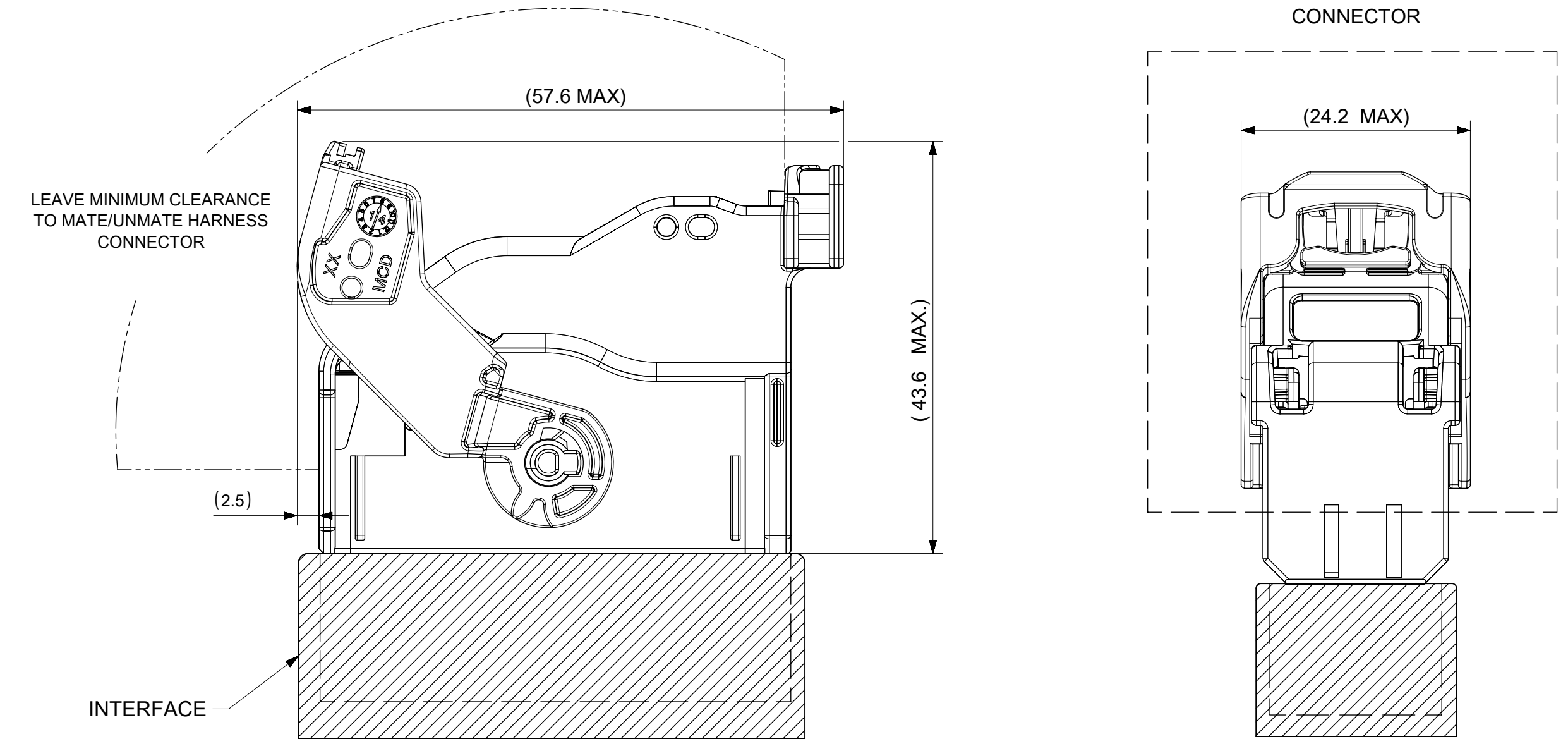
PART NUMBER:	098982 5012	CODING:	GREY
MODULES P/N TO BE USED:	098982 5056	18W	BLUE
	098982 5066	36W	BLUE



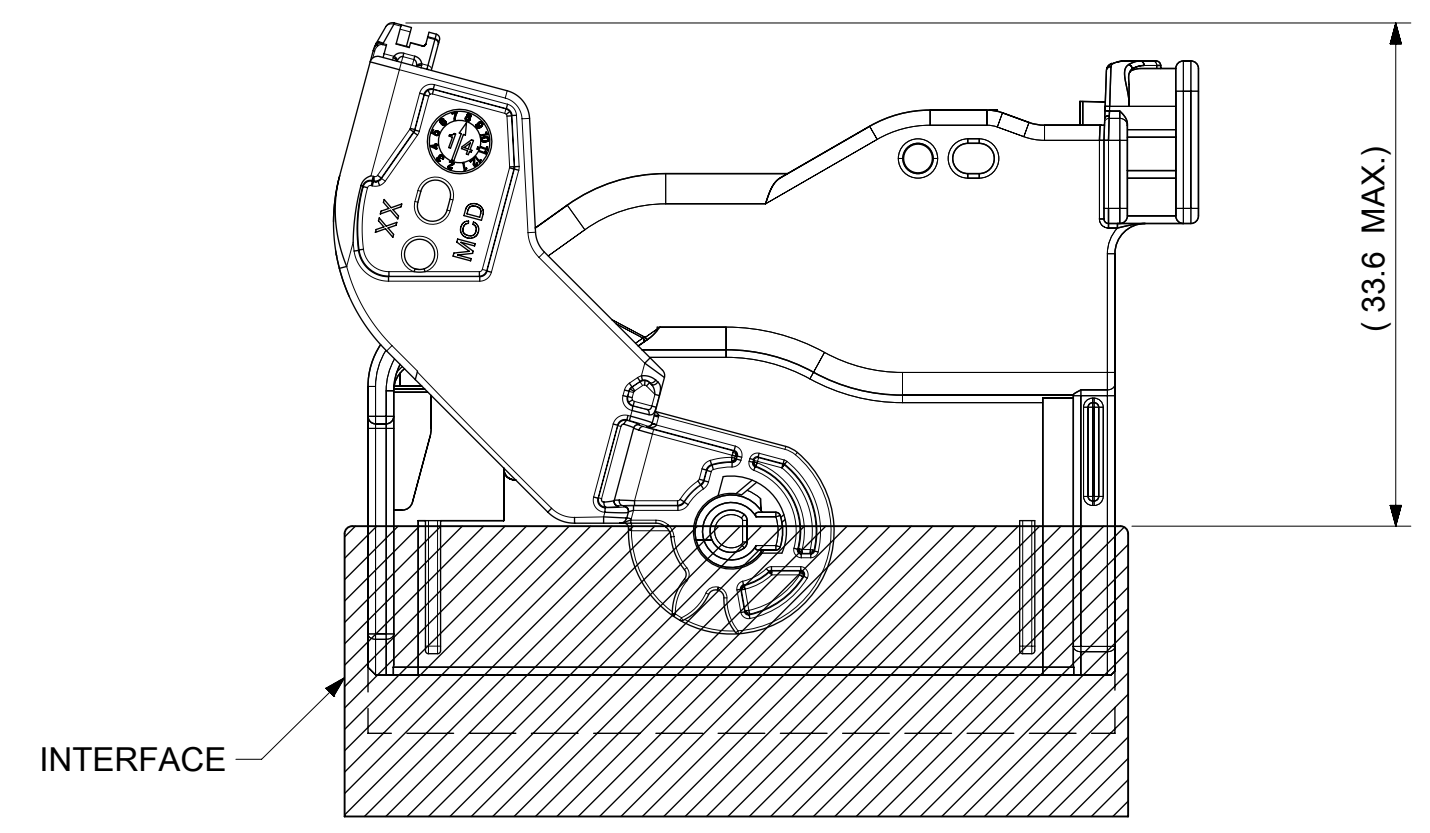
PART NUMBER:	-	CODING:	-
MODULES P/N TO BE USED:	-	-	-

CODING OPTIONS (VIEWS WITHOUT LOCKING LEVER)

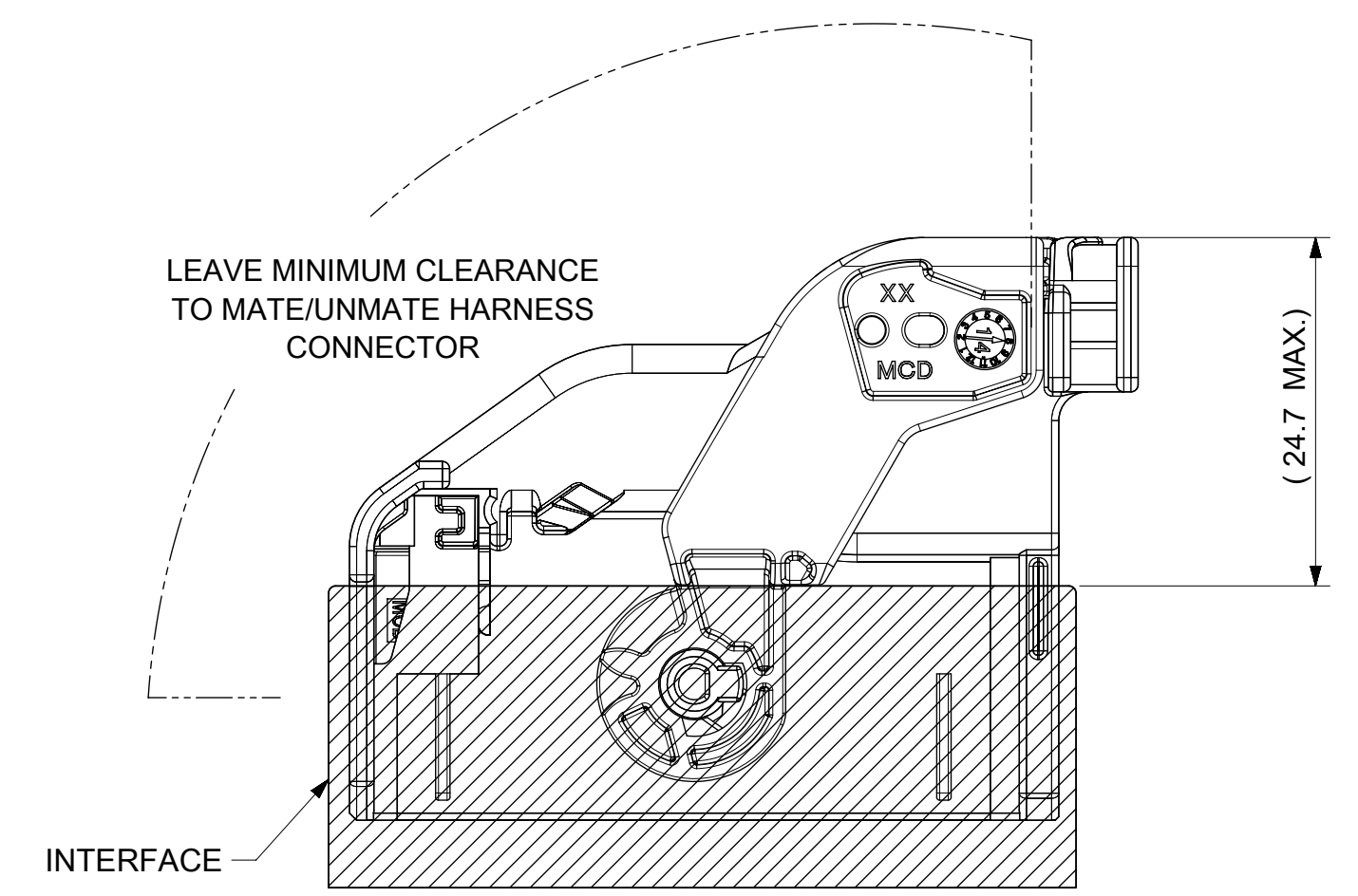
CLEARANCE FOR CONNECTOR MATE AND UNMATE



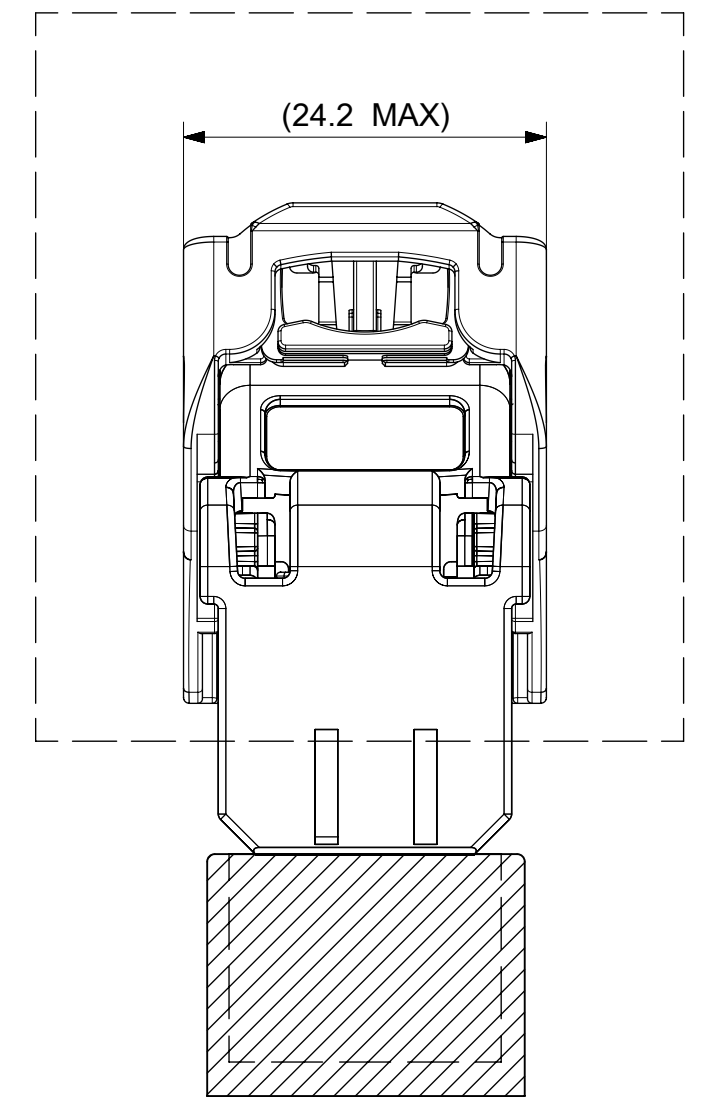
PRE-LOCKING POSITION



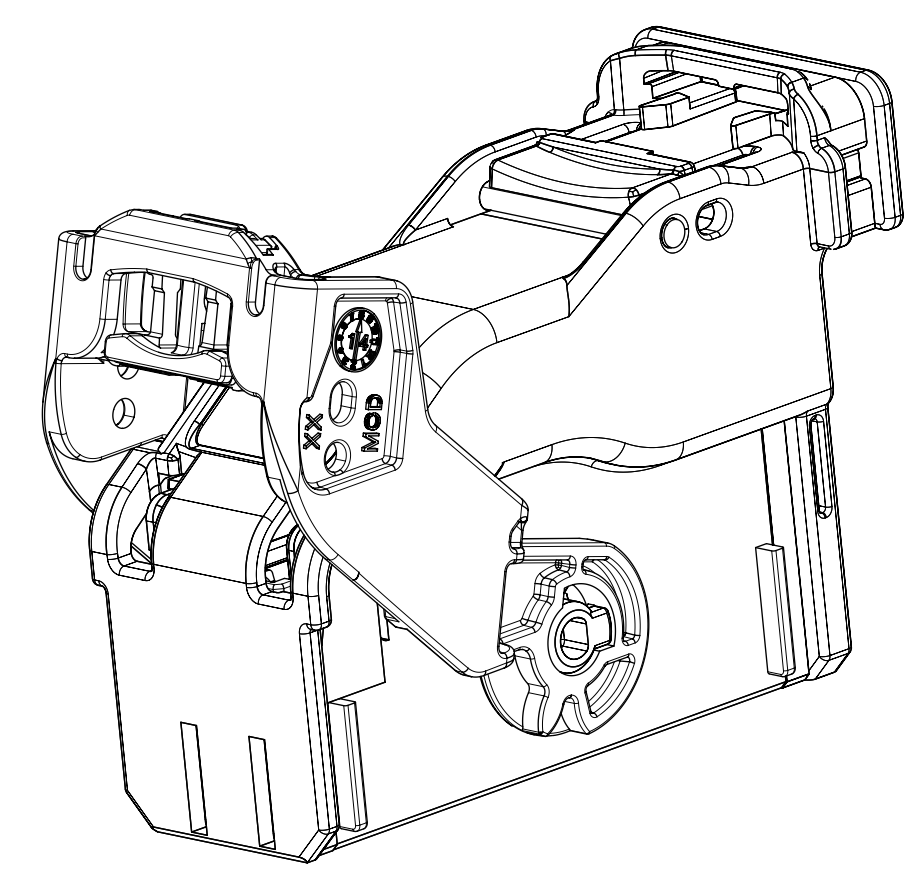
CONNECTOR FULLY MATED



LEAVE MINIMUM CLEARANCE TO MATE/UNMATE HARNESS CONNECTOR



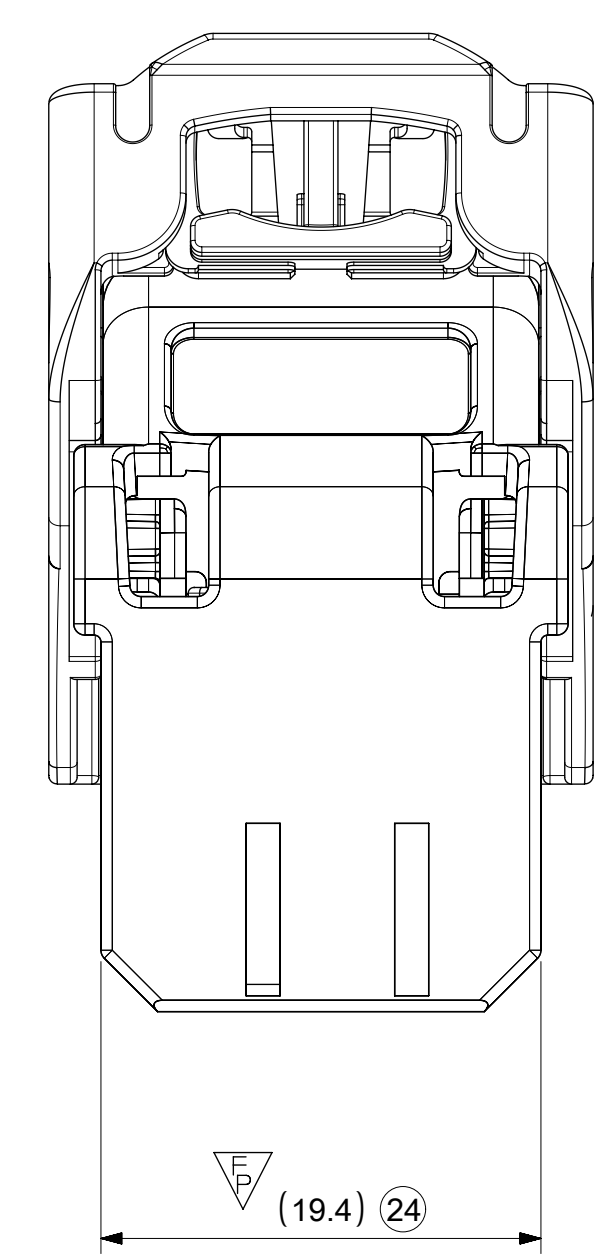
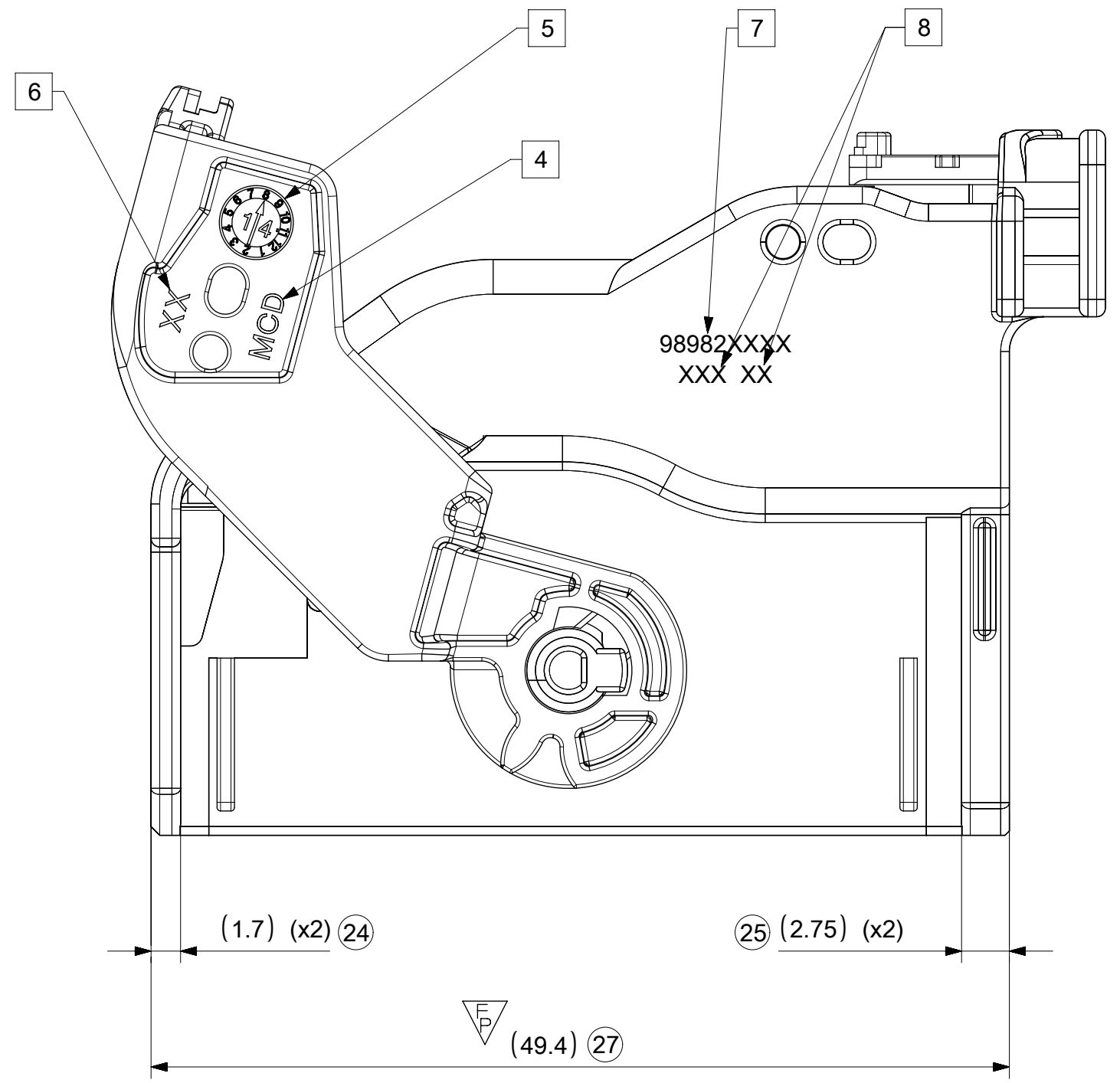
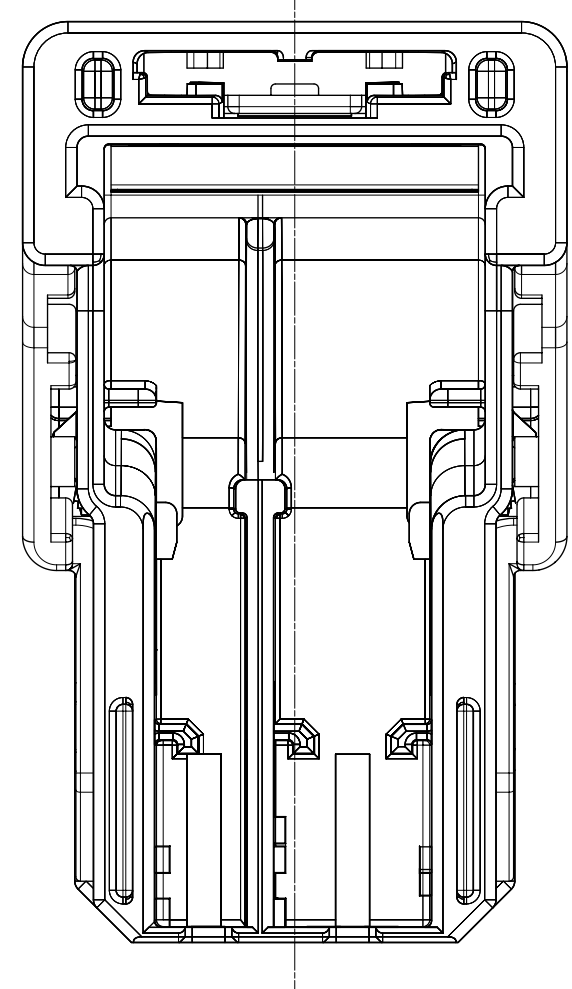
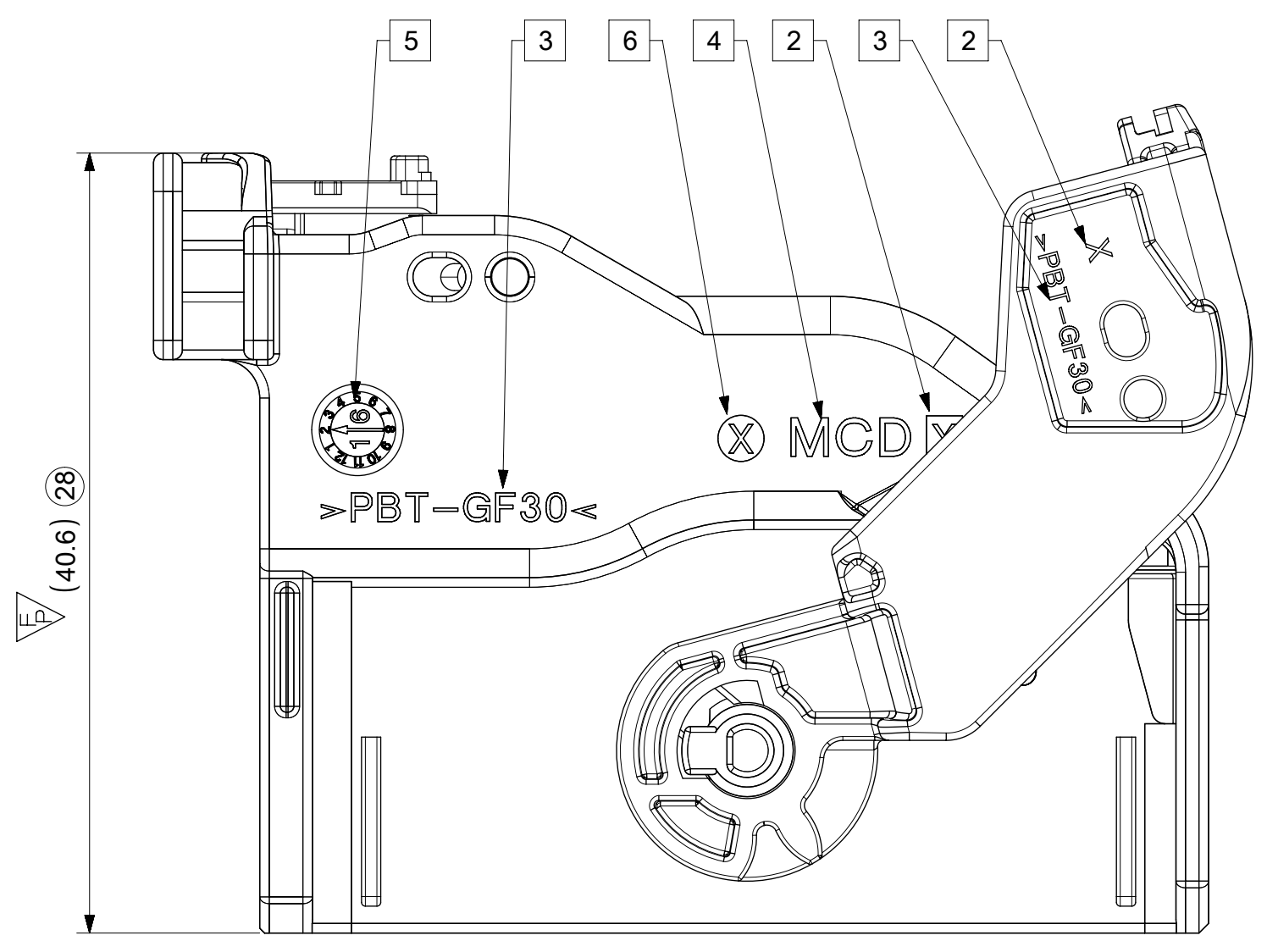
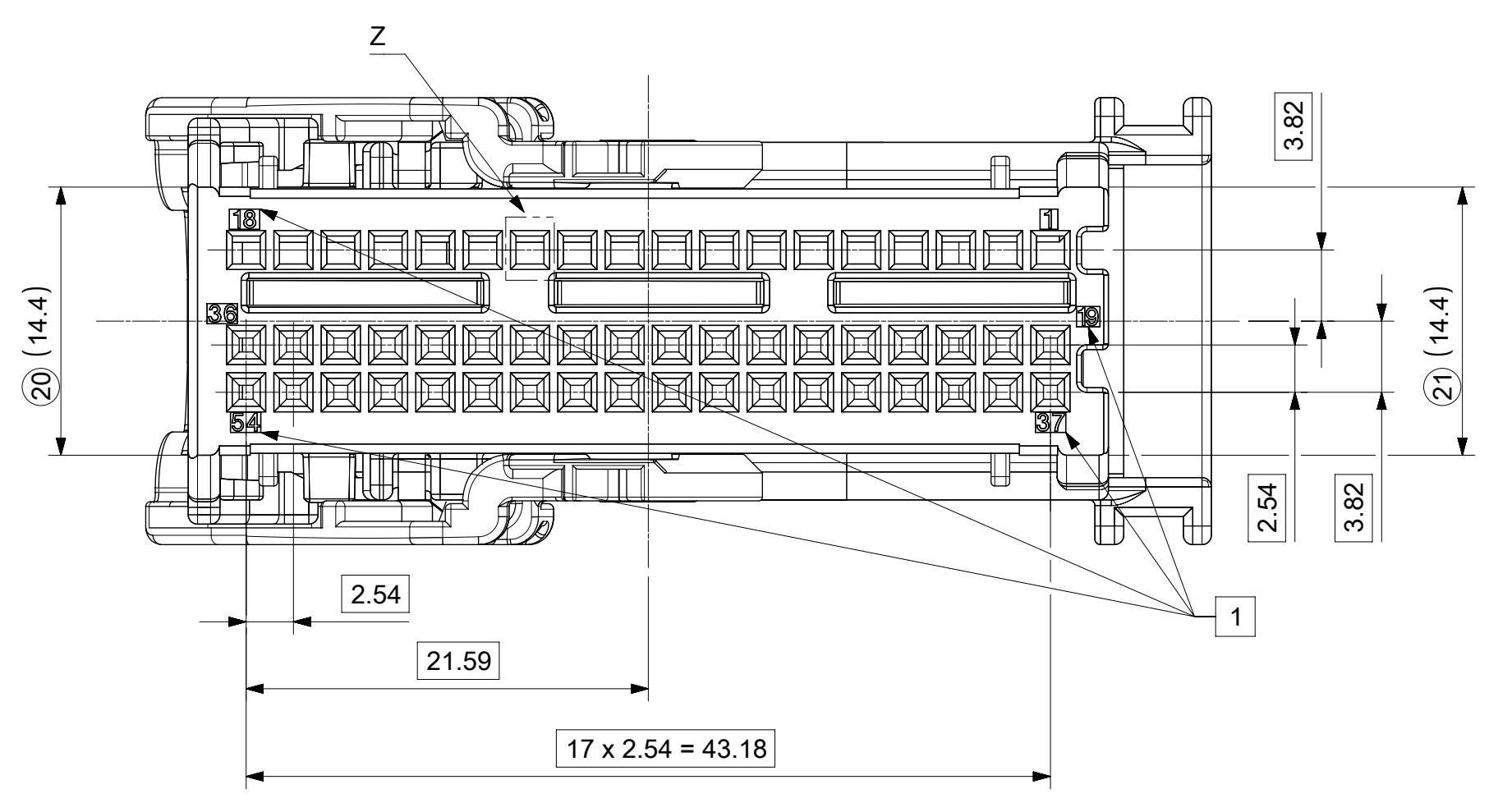
MODIFICATION			
REV	DESCRIPTION	NAME	DATE
A	-DOCUMENT FIRST RELEASE	GD	2017/02/13
A1	-PLM ECTR ATTRIBUTE UPDATED	JBM	2018/04/18
A2	-NX RE-MASTERING	GM	See Title Block
A3	-GRAPHIC ERROR	TB	2018/11/09
B	-PURPLE CODING (098982 5019) REMOVED.	GD	2019/02/20



Isometric View
Scale 2:1

<p>SYMBOLS</p> <ul style="list-style-type: none"> $\nabla = 0$ $\nabla = 0$ $\nabla = 0$ $\nabla = 0$ $\nabla = 0$ $\nabla = 0$ $\nabla = 0$ $\nabla = 0$ $\nabla = 0$ $\nabla = 0$ 	<p>THIS DRAWING CONTAINS INFORMATION THAT IS PROPRIETARY TO MOLEX ELECTRONIC TECHNOLOGIES, LLC AND SHOULD NOT BE USED WITHOUT WRITTEN PERMISSION</p> <p>DIMENSION UNITS: mm</p> <p>SCALE: 2:1</p> <p>GENERAL TOLERANCES (UNLESS SPECIFIED)</p> <p>ANGULAR TOL \pm 2.0°</p> <p>4 PLACES \pm 0.1</p> <p>3 PLACES \pm 0.1</p> <p>2 PLACES \pm 0.1</p> <p>1 PLACE \pm 0.1</p> <p>0 PLACES \pm</p> <p>DRAFT WHERE APPLICABLE MUST REMAIN WITHIN DIMENSIONS</p>	<p>CURRENT REV DESC: ADDING PS AND AS. NX RE-MASTERING.</p> <p>EC NO: 612863</p> <p>DRWN: GDESBRUERES 2019/02/20</p> <p>CHK'D: SLAFAURE 2019/03/01</p> <p>APPR: SLAFAURE 2019/03/01</p> <p>INITIAL REVISION:</p> <p>DRWN: GDESBRUERES 2017/02/13</p> <p>APPR: SLAFAURE 2017/03/14</p> <p>FIRST ANGLE PROJECTION</p> <p>DRAWING: A1-SIZE</p> <p>SERIES: 98982</p>	<p>molex</p> <p>54CKT MQS FEMALE CONNECTOR</p> <p>PRODUCT CUSTOMER DRAWING</p> <p>DOCUMENT NUMBER: SD-98982-005</p> <p>DOC TYPE: PSD</p> <p>DOC PART: 001</p> <p>REVISION: B</p> <p>MATERIAL NUMBER: SEE TABLE</p> <p>CUSTOMER: GENERAL MARKET</p> <p>SHEET NUMBER: 1 OF 2</p>
--	---	--	--

DOCUMENT STATUS	P1	RELEASE DATE	2019/03/01	14:17:41
-----------------	----	--------------	------------	----------



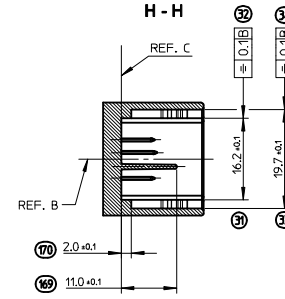
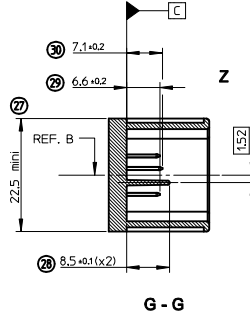
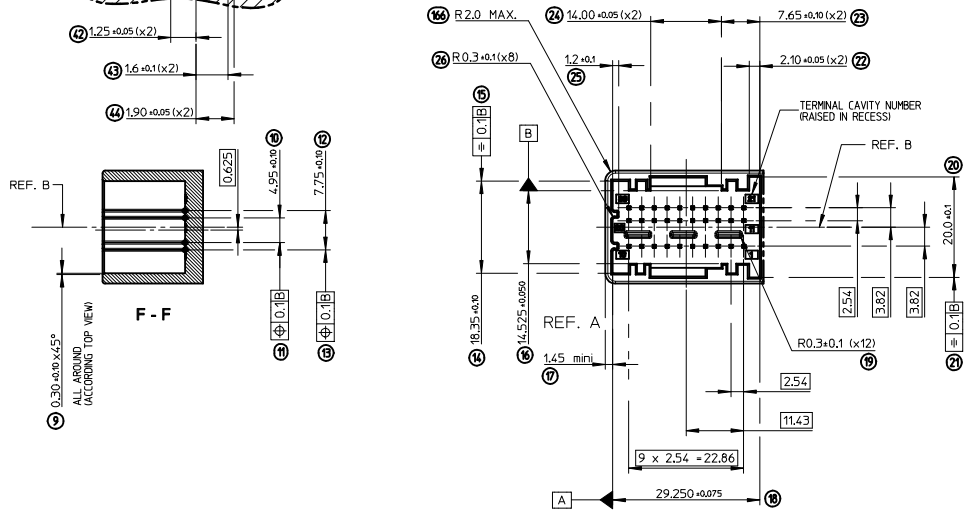
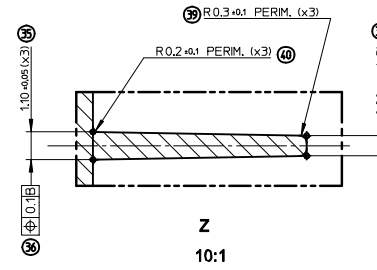
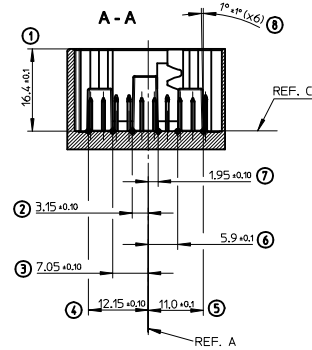
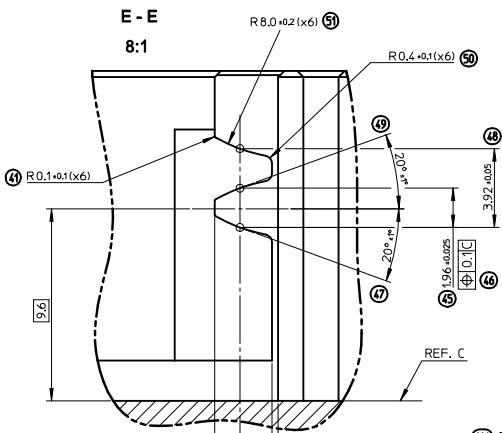
REPRESENTED ITEM :
BLACK CODING

MODIFICATION			
REV	DESCRIPTION	NAME	DATE
A	-DOCUMENT FIRST RELEASE	GD	2017/02/13
A1	-PLM ECTR ATTRIBUTE UPDATED	JBM	2018/04/18
A2	-NX RE-MASTERING	GM	2018/06/13
A3	-GRAPHIC ERROR	TB	2018/11/09
B	-PURPLE CODING (098982 5019) REMOVED (SEE SHEET 1)	GD	2019/02/20

MARKINGS ON PARTS	- PACKAGING ACCORDING:	PK-31302-277
1 TERMINALS CAVITIES ID	- PRODUCT SPECIFICATION N°:	989820001-PS PS 000
2 MOLD CAVITY ID.	- APPLICATION SPECIFICATION N°:	989820002-AS PS 000
3 MATERIAL	- THE FEMALE CONNECTOR WILL ONLY MATCH WITH MOLEX MODULES P/NS: (SEE SHEET 1)	18CKT GREEN: 098982 5055 18 CKT BLUE: 098982 5056 36CKT GREEN: 098982 5065 36CKT BLUE: 098982 5066
4 SUPPLIER PLANT PRODUCTION	- CAVITIES LOCATION AS PER INTERFACE DRAWING N°:	SD-98982-010
5 DATUM: MM/YY	- PRODUCT WEIGHT (GRAMS):	14.5 GRAMS
6 MOLD REVISION LEVEL		
7 ASSEMBLY P/N- LASER MARKING		
8 ASSEMBLY LASER MARKING DATE: DAY / YEAR		

SYMBOLS 0 = 0 DIMENSION UNITS 0 = 0 SCALE 3 = 3 GENERAL TOLERANCES (UNLESS SPECIFIED) 3 = 3 ANGULAR TOL ± 2.0° 0 = 0 4 PLACES ± 0.1 0 = 0 3 PLACES ± 0.1 0 = 0 2 PLACES ± 0.1 0 = 0 1 PLACE ± 0.1 0 = 0 0 PLACES ± 0 = 0 DRAFT WHERE APPLICABLE MUST REMAIN WITHIN DIMENSIONS	THIS DRAWING CONTAINS INFORMATION THAT IS PROPRIETARY TO MOLEX ELECTRONIC TECHNOLOGIES, LLC AND SHOULD NOT BE USED WITHOUT WRITTEN PERMISSION CURRENT REV DESC: ADDING PS AND AS. NX RE-MASTERING. EC NO: 612863 DRWN: GDESBRUERES 2019/02/20 CHK'D: SLAFAURE 2019/03/01 APPR: SLAFAURE 2019/03/01 INITIAL REVISION: DRWN: GDESBRUERES 2017/02/13 APPR: SLAFAURE 2017/03/14	 54CKT MQS FEMALE CONNECTOR PRODUCT CUSTOMER DRAWING
	FIRST ANGLE PROJECTION DRAWING SERIES A1-SIZE 98982	
	MATERIAL NUMBER SEE TABLE CUSTOMER GENERAL MARKET SHEET NUMBER 2 OF 2	

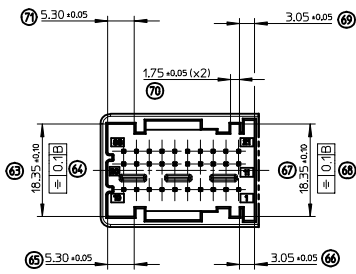
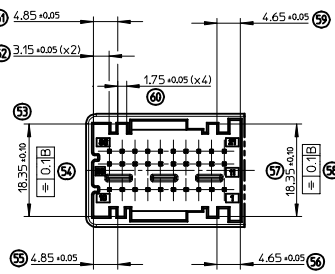
DESIGN INTERFACE 30 WAY MQS



CODINGS

BLACK

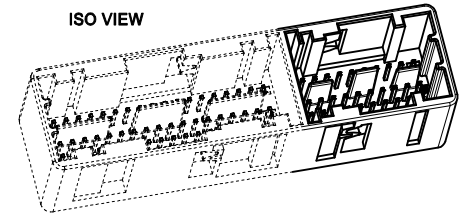
GREY



NOTES:

- 1 - HEADER MATERIAL: PBT GF (GLASS FIBER). WITH TENSILE MODULUS OF 8000 MPa MINIMUM AT 23°C AND STRAIN AT BREAK MIN 2%. SEE SHEET 3/4.
- 2 - TERMINALS:
- 3 - RADII WITHOUT DIMENSION: R0.3mm.

ISO VIEW

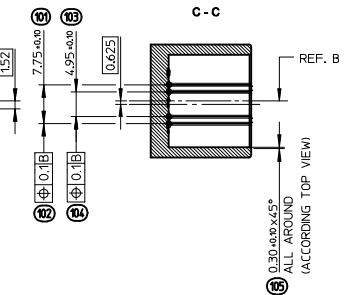
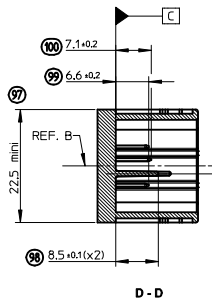
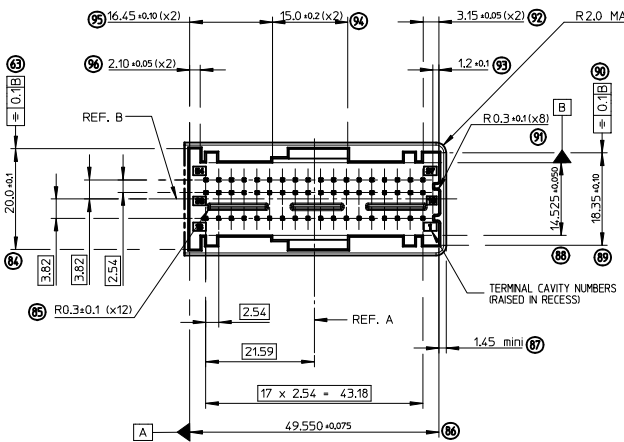
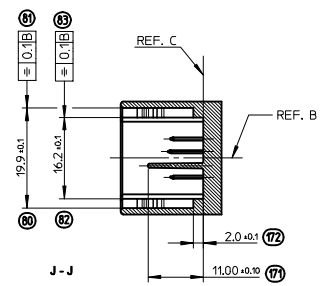
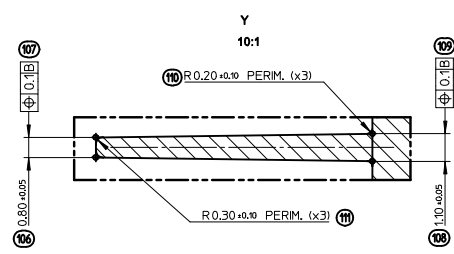
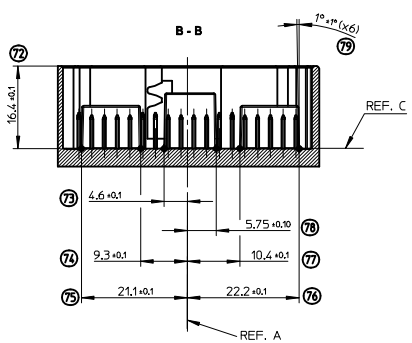
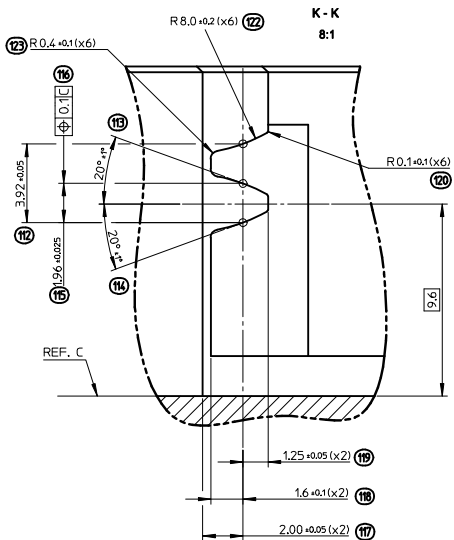


REV.	DESCRIPTION	DATE	BY	CHKD.	APPR.
A	DOC FIRST RELEASE	2017/05/10	GD	GD	GD

QUALITY SYMBOLS	GENERAL TOLERANCES (UNLESS SPECIFIED)		DIMENSION STYLE		SCALE	DESIGN UNITS	FIRST ANGLE PROJECTION
	mm	INCH	MM ONLY	INCH			
▽ ±0	4 PLACES	± 0.10	±	±	2:1	METRIC	◁ ⊕
▽ ±0.1	3 PLACES	± 0.20	±	±			
▽ ±0.2	2 PLACES	± 0.20	±	±			
▽ ±0.3	1 PLACE	± 0.20	±	±			
▽ ±0.4	0 PLACE	± 0.20	±	±			

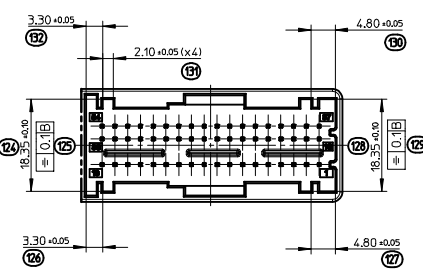
DOC FIRST RELEASE	DRAWN BY	DATE	TITLE	DOCUMENT NO.	SHEET NO.
GD	GDESBRUERES	2016/10/03	INTERFACE DRAWING	SD-98982-010	1 OF 4
GD	TBADAROUX	2016/10/03	30 + 54 WAY - MQS		
	CBOUCHAN	2017/05/10			
MATERIAL NO. N A DRAFT WHERE APPLICABLE MUST REMAIN WITHIN DIMENSIONS			THIS DRAWING CONTAINS INFORMATION THAT IS PROPRIETARY TO MOLEX INCORPORATED AND SHOULD NOT BE USED WITHOUT WRITTEN PERMISSION		

DESIGN INTERFACE 54 WAY MQS

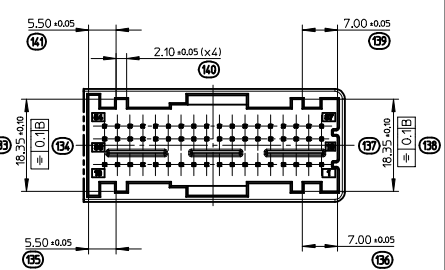


CODINGS

BLACK



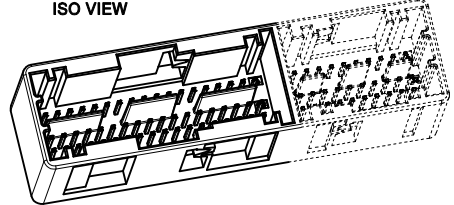
GREY



NOTES:

- 1 - HEADER MATERIAL: PBT GF (GLASS FIBER). WITH TENSILE MODULUS OF 8000 MPa MINIMUM AT 23°C AND STRAIN AT BREAK MIN 2%.
- 2 - TERMINALS: SEE SHEET 3/4.
- 3 - RADII WITHOUT DIMENSION: R0.3mm.

ISO VIEW



DRAWN BY	DATE	TITLE
GDESBRUERES	2016/10/03	INTERFACE DRAWING
CHECKED BY	DATE	30 + 54 WAY - MQS
TBADAROUX	2016/10/03	
APPROVED BY	DATE	
CBOUCHAN	2017/05/10	

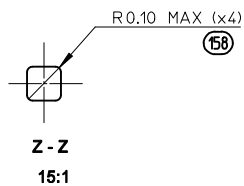
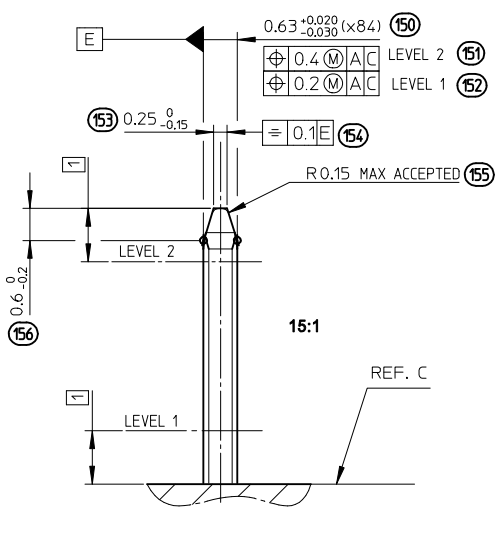
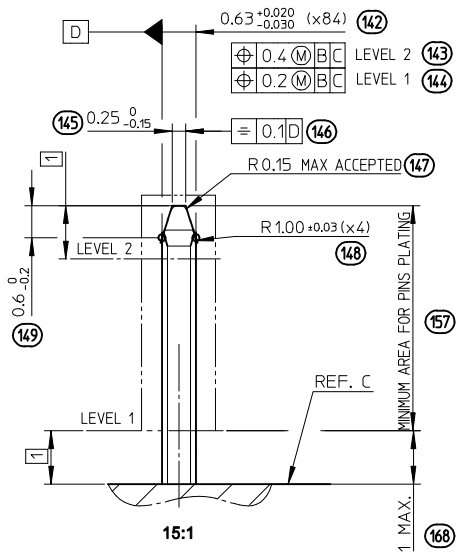
QUALITY SYMBOLS	GENERAL TOLERANCES (UNLESS SPECIFIED)	
	mm	INCH
▽ ±0	4 PLACES ± ---	± ---
▽ ±0.20	3 PLACES ± 0.20	± ---
▽ ±0.20	2 PLACES ± 0.20	± ---
▽ ±0.20	1 PLACE ± 0.20	± ---
▽ ±0.20	0 PLACE ± 0.20	± ---
	ANGULAR ± 2 °	
	DRAFT WHERE APPLICABLE MUST REMAIN WITHIN DIMENSIONS	

DOC FIRST RELEASE	DRAWING NO.	DATE	SCALE	DESIGN UNITS	FIRST ANGLE PROJECTION
EC NO: G2017-0018	DRWNG: GDESBRUERES	2016/10/03	2:1	METRIC	☐
CHKD: TBADAROUX	APP: CBOUCHAN	2017/05/10			
	MATERIAL NO.	N A			
	DOCUMENT NO.	SD-98982-010			
	SHEET NO.	2 OF 4			

molex

THIS DRAWING CONTAINS INFORMATION THAT IS PROPRIETARY TO MOLEX INCORPORATED AND SHOULD NOT BE USED WITHOUT WRITTEN PERMISSION

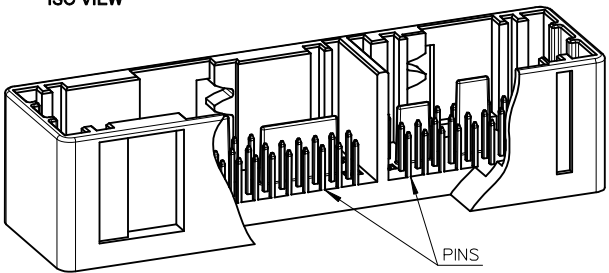
PIN DESIGN FOR INTERFACE 30 AND 54 WAY MQS



NOTES:

- 1 - TERMINALS MATERIAL: CuSn6 or CuZn30 (CuNiSi or CuFe2 or alternative)
- 2 - FINISH: Gold plated 0.4µ min over Nickel coating 1.27µ
Tin plated 0.8 to 3.3µ min over Nickel coating 1.27µ

ISO VIEW

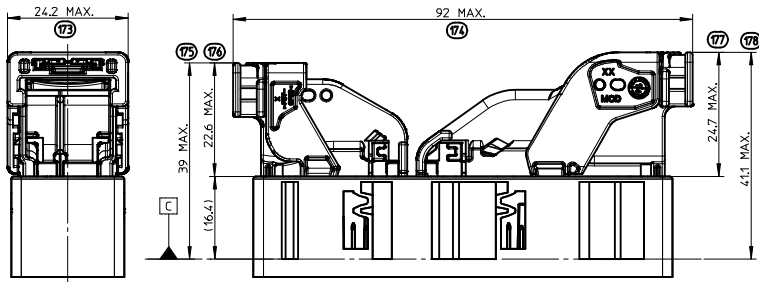


MODIFICATIONS

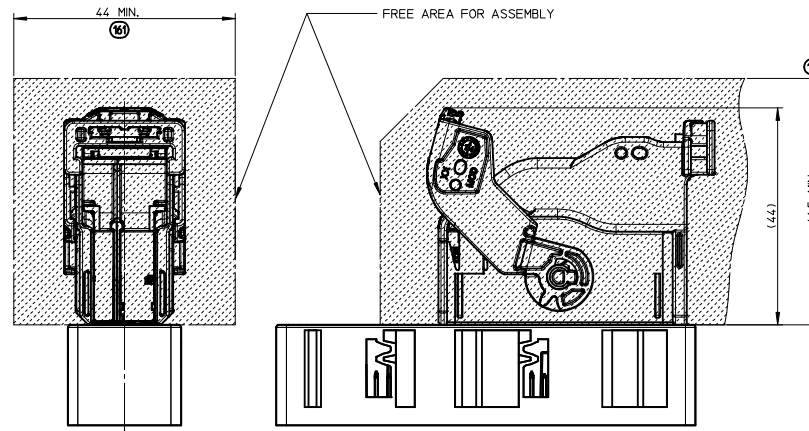
REV.	DESCRIPTIONS	NAME	DATE
A	-DOCUMENT FIRST RELEASE.	GD	2016/10/03

DOC FIRST RELEASE IEC NO: G2017-0018 DRAWN: GDESBRUERES 2016/10/03 CHKD: TBADAROUX 2016/10/03 APPR: CBOUCHAN 2017/05/10	QUALITY SYMBOLS ▽=0 ▽=1 ▽=2	GENERAL TOLERANCES (UNLESS SPECIFIED)		DIMENSION STYLE MM ONLY	SCALE 2:1	DESIGN UNITS METRIC	FIRST ANGLE PROJECTION
		mm	INCH				
REV A	DESCRIPTION	4 PLACES ± --- ± ---	GDESBRUERES	DATE	TITLE		
		3 PLACES ± 0.20 ± ---	CHECKED BY	DATE	INTERFACE DRAWING		
		2 PLACES ± 0.20 ± ---	TBADAROUX	2016/10/03	30 + 54 WAY - MQS		
		1 PLACE ± 0.20 ± ---	APPROVED BY	DATE	molex		
		0 PLACE ± 0.20 ± ---	CBOUCHAN	2017/05/10			
	ANGULAR ± 2 °	MATERIAL NO.	N A		SD-98982-010		SHEET NO.
	DRAFT WHERE APPLICABLE MUST REMAIN WITHIN DIMENSIONS	SIZE		THIS DRAWING CONTAINS INFORMATION THAT IS PROPRIETARY TO MOLEX INCORPORATED AND SHOULD NOT BE USED WITHOUT WRITTEN PERMISSION			3 OF 4

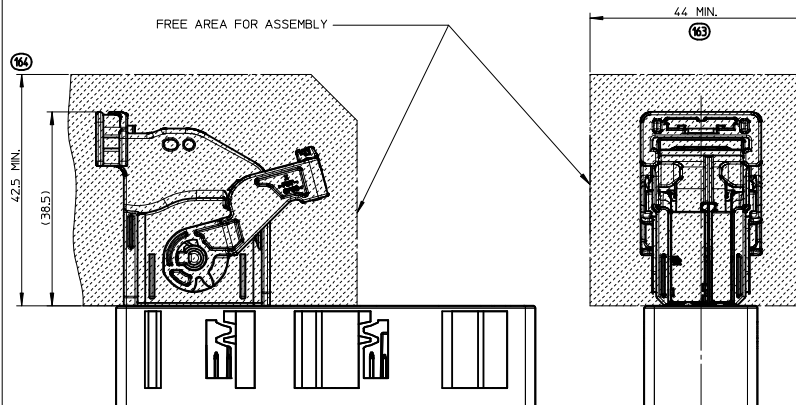
OVERALL DIMENSIONS CONNECTORS MATED ON THE HEADER 30 + 54 WAY MQS



VOLUME NEEDED FOR THE MATING OF THE RECEPTACLE HOUSING 54 WAY MQS

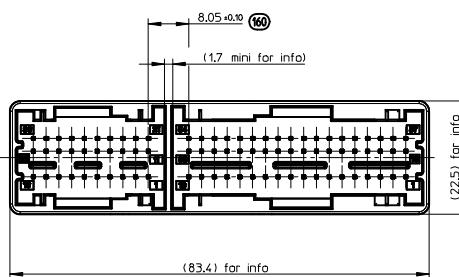


VOLUME NEEDED FOR THE MATING OF THE RECEPTACLE HOUSING 30 WAY MQS



HARNES EXIT

HARNES EXIT



MODIFICATIONS

REV.	DESCRIPTIONS	NAME	DATE
A	-DOCUMENT FIRST RELEASE	GD	2016/10/03

DOC FIRST RELEASE EC NO: G2017-0018 DRAWN BY: GDESBRUERES 2016/10/03 CHKD: TBADAROUX 2016/10/03 APPR: CBOUCHAN 2017/05/10	QUALITY SYMBOLS 4 PLACES ± 0.20 3 PLACES ± 0.20 2 PLACES ± 0.20 1 PLACE ± 0.20 0 PLACE ± 0.20	GENERAL TOLERANCES (UNLESS SPECIFIED) mm INCH	DIMENSION STYLE MM ONLY	SCALE 2:1	DESIGN UNITS METRIC	FIRST ANGLE PROJECTION
		ANGULAR ± 2° DRAFT WHERE APPLICABLE MUST REMAIN WITHIN DIMENSIONS	DRAWN BY: GDESBRUERES 2016/10/03 CHECKED BY: TBADAROUX 2016/10/03 APPROVED BY: CBOUCHAN 2017/05/10	MATERIAL NO. NA	TITLE INTERFACE DRAWING 30 + 54 WAY - MQS	DOCUMENT NO. SD-98982-010

molex

THIS DRAWING CONTAINS INFORMATION THAT IS PROPRIETARY TO MOLEX INCORPORATED AND SHOULD NOT BE USED WITHOUT WRITTEN PERMISSION