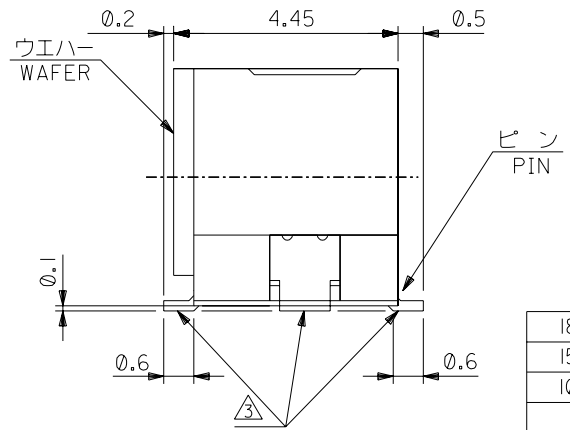
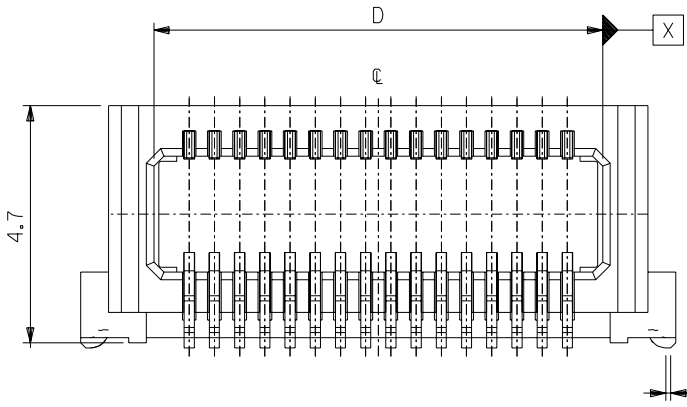


参考基板レイアウト  
RECOMMENDED P.C. BOARD  
PATTERN DIMENSION (REF.)



18.4	20.2	17.0	21.3	55289-0701	70
15.9	17.7	14.5	18.8	55289-0601	60
10.9	12.7	9.5	13.8	55289-0401	40
D	C	B	A	MATERIAL NO.	極数 CKT

DO NOT SCALE DRAWING

64 NO. DRWN: CH'K: APPR:	63 NO. DRWN: CH'K: APPR:	62 NO. DRWN: CH'K: APPR:	61 NO. DRWN: CH'K: APPR:	60 NO. J2004-1427 DRWN: K.SUZUKI '03/12/09 CH'K: M.SASAO '03/12/09 APPR: M.SASAO '03/12/09 RELEASED
MATERIAL 材料 注記参照 SEE NOTES				
FINISH 仕上げ 注記参照 SEE NOTES				
WIRE RANGE 適用層被覆範囲 //				
INS. RANGE 被覆外径 //				

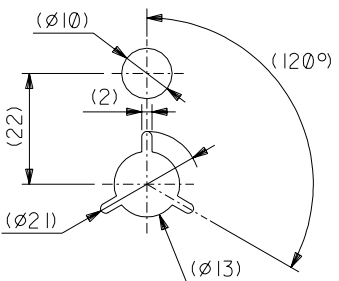
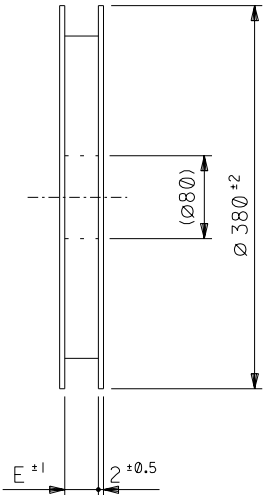
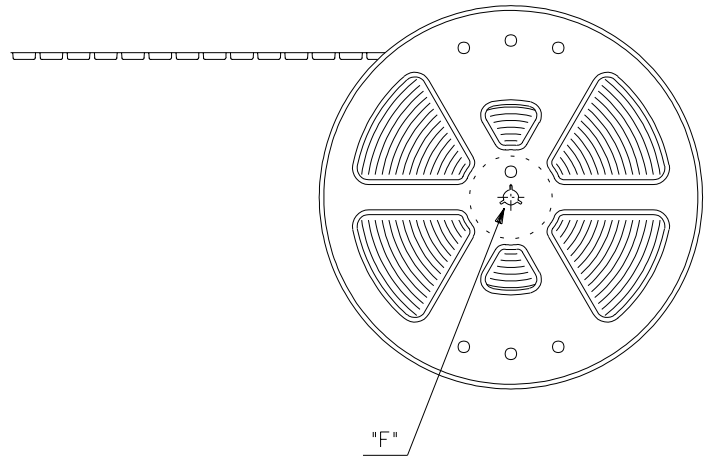
GENERAL TOLERANCES: (UNLESS SPECIFIED) 一般公差	10 UNDER 未満 ±0.2	10 OVER 30 UNDER 未満 ±0.25	30 OVER 以上 ±0.3
SCALE 1:1	DESIGN UNITS <input checked="" type="checkbox"/> mm <input type="checkbox"/> INCH	DRAWN BY & DATE K.SUZUKI '03/12/09	
CHECKED BY & DATE M.SASAO '03/12/09		APPROVED BY & DATE M.SASAO '03/12/09	
CAD FILENAME SD-55289-009.s01		TITLE: 0.5 B-To-B Conn RA WAFER Assy W/NAIL W/LOCK -LEAD FREE-	

DIMENSIONS: <input type="checkbox"/> mm <input type="checkbox"/> INCH <input checked="" type="checkbox"/> mm ONLY	SHT 2 REV B ADVISE ON CAD ONLY	MODEL NO. 55289-***1	MATERIAL NO. SEE CHART DRAWING NO. SD-55289-009 SHEET NO. 1 OF 2
MOLEX INCORPORATED			
7888 DRAWING CONTAINS INFORMATION THAT IS PROPRIETARY TO MOLEX INCORPORATED AND SHOULD NOT BE USED WITHOUT WRITTEN PERMISSION.			



DWG. NO. SD-55289-010

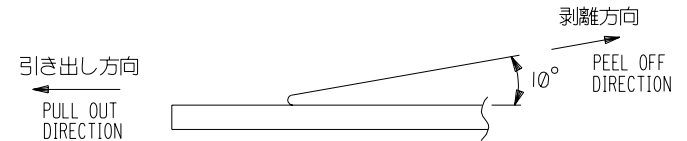
引き出し方向  
PULL OUT  
DIRECTION



DETAIL "F"

注記 NOTES

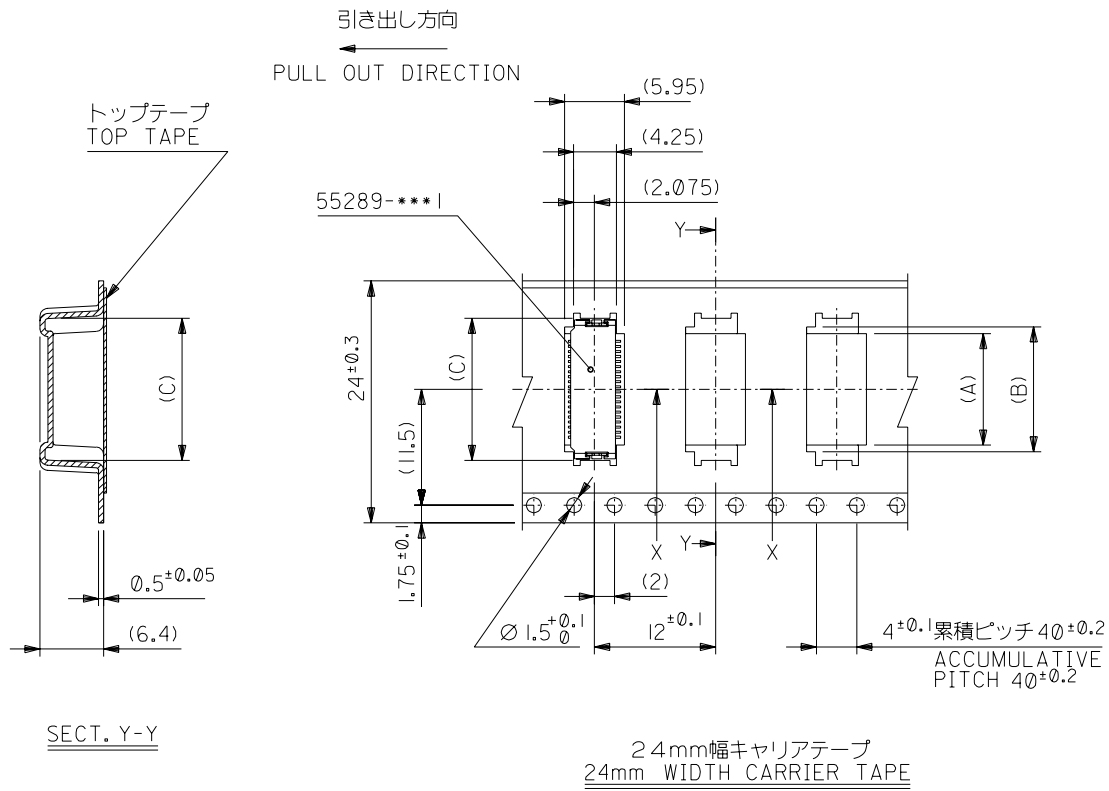
- 製品詳細寸法については図面 SD-55289-009 を参照下さい。  
RE DETAILED DIMENSION, SEE SD-55289-009
- 梱包数量：1000個/リール  
NUMBER OF CONNECTORS：1000PCS/REEL
- リードテープ長さ LEAD TAPE LENGTH  
20PCS MINIMUM トップテープ接着部 (空エンボス)  
TOP TAPE BONDED PART. (EMPTY)  
部品挿入部 COMPONENT SUPPLIER  
末端部 (空部) TAIL PART (EMPTY)  
400 MINIMUM 40 MINIMUM
- トップテープの剥離強度：0.1N ~ 1.3N(10gf ~ 130gf)  
(剥離方向は下図参照)  
尚、本規格値は出荷時に適用。(但し、輸送時に剥離が発生しないこと。)  
PEELING OFF FORCE OF TOP TAPE：0.1N ~ 1.3N(10gf ~ 130gf)  
(PEELING DIRECTION AS SHOWN IN FOLLOWING FIG.)  
THIS REQUIREMENT SHOULD BE APPLIED AT SHIPMENT.  
PEEL OFF SHOULD NOT BE ALLOWED, DURING TRANSPORTATION.
- 材料(MATERIAL)  
キャリアテープ(CARRIER TAPE)：ポリプロピレン(POLYPROPYLENE)  
トップテープ(TOPTAPE)：PET, PE, PEF  
リール(REEL)：ポリスチレン (PS) <リサイクル材を含む>  
POLYSTYREN(PS) <RECYCLE MATERIAL CONTAINED>
- 本製品は 55289-\*\*\*9 の鉛フリー製品です。



DO NOT SCALE DRAWING

164 NO. DRWN: CH'K: APPR: 163 NO. DRWN: CH'K: APPR: 162 NO. DRWN: CH'K: APPR: 161 NO. DRWN: CH'K: APPR:		160 NO. J2004-1427 DRWN: K.SUZUKI '03/12/09 CH'K: M.SASAO '03/12/09 APPR: M.SASAO '03/12/09 RELEASED	MATERIAL 材料 注記参照 SEE NOTES	GENERAL TOLERANCES: (UNLESS SPECIFIED) 一般公差 10 UNDER 未満 30 UNDER 未満 30 OVER 以上 ANGLE 角度	SCALE 1/1 DESIGN UNITS <input checked="" type="checkbox"/> mm <input type="checkbox"/> INCH DRAWN BY & DATE K.SUZUKI '03/12/09 CHECKED BY & DATE M.SASAO '03/12/09 APPROVED BY & DATE M.SASAO '03/12/09 CAD FILENAME SD-55289-010.S01	MODEL NO. 55289-***8 DIMENSIONS: <input type="checkbox"/> mm <input type="checkbox"/> INCH <input checked="" type="checkbox"/> mm <input type="checkbox"/> INCH ONLY SHT 1 OF 4 REV TITLE: 0.5 B+B Conn RA WAFER Assy W/NAIL W/LOCK Embstp pkg -LEAD FREE- MOLEX MOLEX INCORPORATED	MATERIAL NO. SEE CHART DRAWING NO. SD-55289-010 SHEET NO. 1 OF 4 SIZE B
WIRE RANGE 適用電線範囲 INS. RANGE 被覆外径		DESCRIPTION FINISH 仕上げ // //	注記参照 SEE NOTES // //	10 UNDER 未満 ±0.2 10 OVER 30 UNDER 未満 ±0.25 30 OVER 以上 ±0.3 ANGLE 角度 ±3°	DRAWN BY & DATE K.SUZUKI '03/12/09 CHECKED BY & DATE M.SASAO '03/12/09 APPROVED BY & DATE M.SASAO '03/12/09 CAD FILENAME SD-55289-010.S01	DIMENSIONS: <input type="checkbox"/> mm <input type="checkbox"/> INCH <input checked="" type="checkbox"/> mm <input type="checkbox"/> INCH ONLY SHT 1 OF 4 REV TITLE: 0.5 B+B Conn RA WAFER Assy W/NAIL W/LOCK Embstp pkg -LEAD FREE- MOLEX MOLEX INCORPORATED	MATERIAL NO. SEE CHART DRAWING NO. SD-55289-010 SHEET NO. 1 OF 4 SIZE B

DWG. NO.  
SD-55289-010



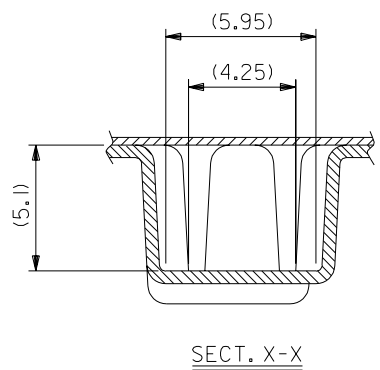
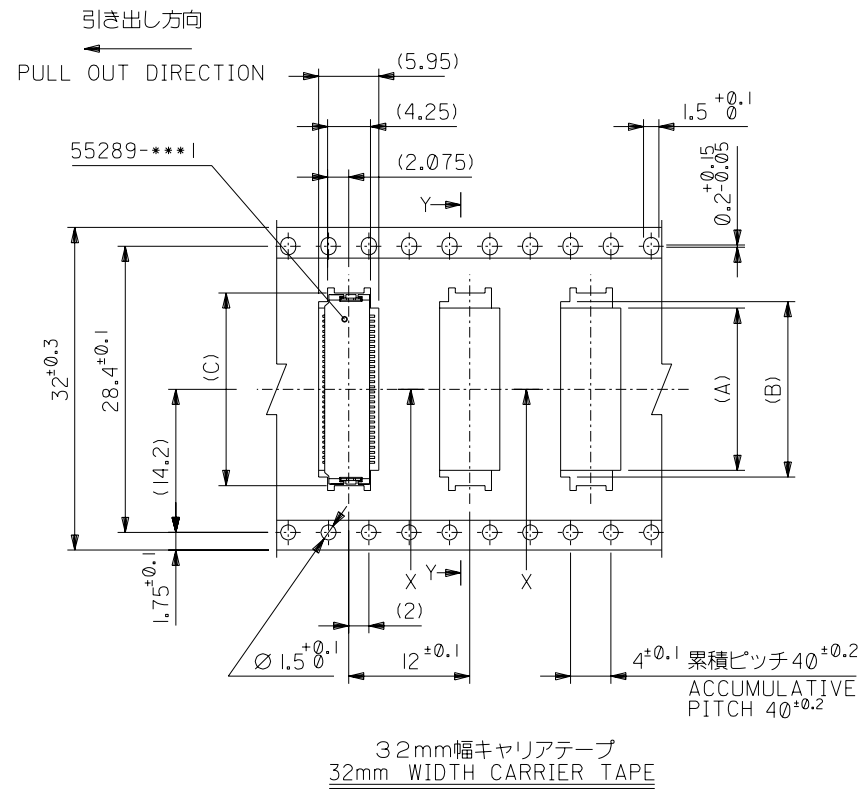
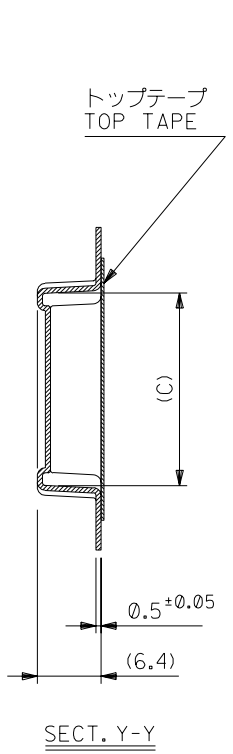
DO NOT SCALE DRAWING

64 NO. DRWN: CH'K: APPR:	63 NO. DRWN: CH'K: APPR:	62 NO. DRWN: CH'K: APPR:	61 NO. DRWN: CH'K: APPR:
-----------------------------	-----------------------------	-----------------------------	-----------------------------

60 NO. J2004-1427 DRWN: K.SUZUKI '03/12/09 CH'K: M.SASAO '03/12/09 APPR: M.SASAO '03/12/09	MATERIAL 材料 注記参照 SEE NOTES
FINISH 仕上げ //	WIRE RANGE 適用電線範囲 //
INS. RANGE 被覆外径 //	DESCRIPTION 24mm幅キャリアテープ 24mm WIDTH CARRIER TAPE

GENERAL TOLERANCES: (UNLESS SPECIFIED) 一般公差	SCALE 1/1 DESIGN UNITS <input checked="" type="checkbox"/> mm <input type="checkbox"/> INCH
10 UNDER 未満 30 UNDER 未満 30 OVER 以上	±0.2 ±0.25 ±0.3
ANGLE 角度 3°	DRAWN BY & DATE K.SUZUKI '03/12/09 CHECKED BY & DATE M.SASAO '03/12/09 APPROVED BY & DATE M.SASAO '03/12/09

24	25.5	14.1	12.4	11.1	55289-0408	40
キャリアテープ幅	E	C	B	A	MATERIAL NO.	極数 CKT
MODEL NO. 55289-***8		DIMENSIONS:		SHT	REV	
SCALE 1/1		DESIGN UNITS <input checked="" type="checkbox"/> mm <input type="checkbox"/> INCH		PROJECTION <input checked="" type="checkbox"/> 1st ANGLE		<input type="checkbox"/> mm ONLY
TITLE: 0.5 B+B Conn RA WAFER Assy W/NAIL W/LOCK Embstp pkg -LEAD FREE-				MOLEX INCORPORATED		
CAD FILENAME SD-55289-010.S01		MATERIAL NO.	DRAWING NO.	SHEET NO.		
		SEE CHART	SD-55289-010	2 OF 4		
THIS DRAWING CONTAINS INFORMATION THAT IS PROPRIETARY TO MOLEX INCORPORATED AND SHOULD NOT BE USED WITHOUT WRITTEN PERMISSION.						SIZE B



32	33.5	19.1	17.4	16.1	55289-0608	60
キャリアテープ幅	E	C	B	A	MATERIAL NO.	極数 CKT

DO NOT SCALE DRAWING

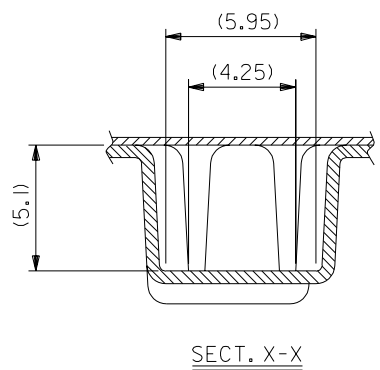
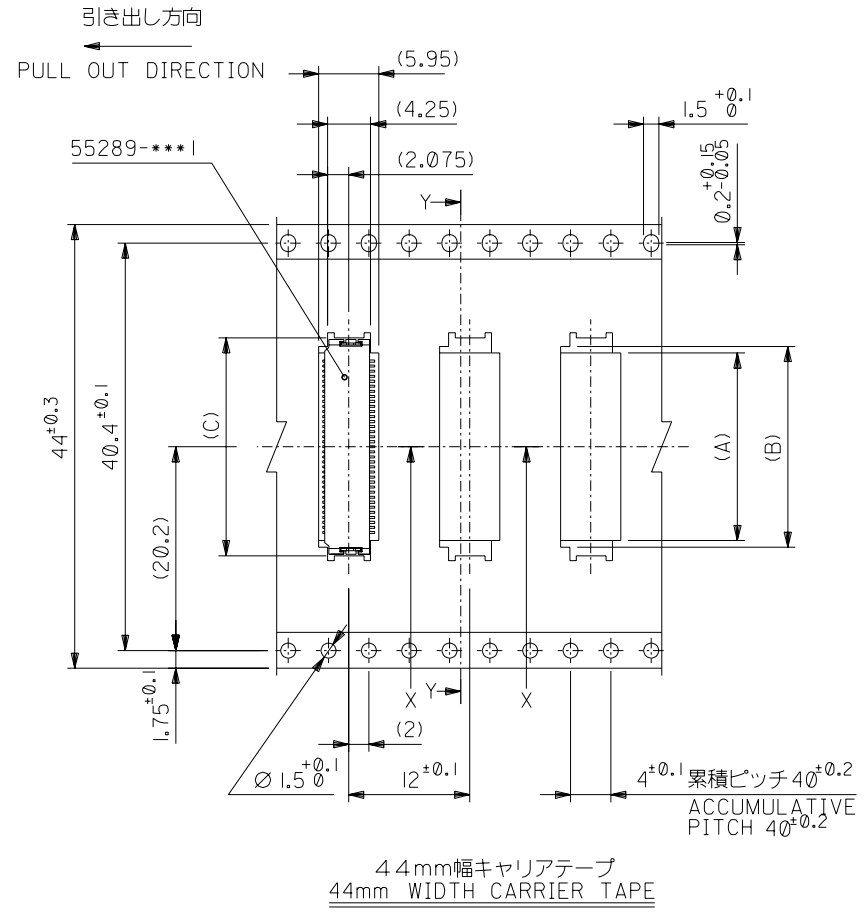
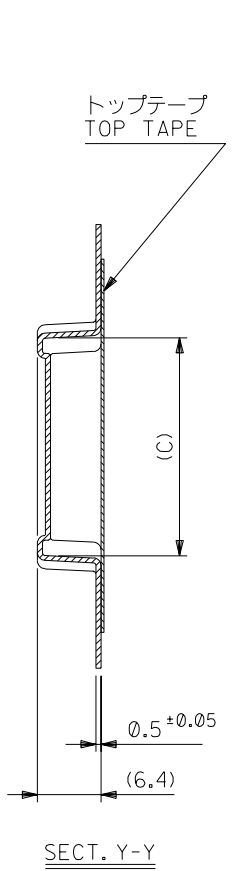
164 NO. DRWN: CH'K: APPR:	163 NO. DRWN: CH'K: APPR:	162 NO. DRWN: CH'K: APPR:	161 NO. DRWN: CH'K: APPR:	RELEASED 160 NO. J2004-1427 DRWN: K.SUZUKI '03/12/09 CH'K: M.SASAO '03/12/09 APPR: M.SASAO '03/12/09
------------------------------	------------------------------	------------------------------	------------------------------	--

MATERIAL 材料	注記参照 SEE NOTES
FINISH 仕上げ	//
WIRE RANGE 適用電線範囲	//
INS. RANGE 被覆外径	//

GENERAL TOLERANCES: (UNLESS SPECIFIED) 一般公差	SCALE //	DESIGN UNITS <input checked="" type="checkbox"/> mm <input type="checkbox"/> INCH	PROJECTION <input checked="" type="checkbox"/> FIRST ANGLE <input type="checkbox"/> THIRD ANGLE
10 UNDER 未満	±0.2	DRAWN BY & DATE K.SUZUKI '03/12/09	TITLE: 0.5 B+B Conn RA WAFER Assy W/NAIL W/LOCK Emb+tp pkg -LEAD FREE-
10 OVER 以上 30 UNDER 未満	±0.25	CHECKED BY & DATE M.SASAO '03/12/09	
30 OVER 以上	±0.3	APPROVED BY & DATE M.SASAO '03/12/09	
ANGLE 角度	±3°	CAD FILENAME SD-55289-010.S03	MATERIAL NO. SEE CHART

MODEL NO. 55289-***8	DIMENSIONS: <input type="checkbox"/> mm <input type="checkbox"/> INCH <input checked="" type="checkbox"/> mm ONLY	SHT 2	REV 1
MOLEX INCORPORATED DRAWING NO. SD-55289-010 SHEET NO. 3 OF 4			
7888 DRAWING CONTAINS INFORMATION THAT IS PROPRIETARY TO MOLEX INCORPORATED AND SHOULD NOT BE USED WITHOUT WRITTEN PERMISSION.			
			SIZE B

DWG. NO. SD-55289-010



DO NOT SCALE DRAWING

44 NO. DRWN: CH'K: APPR:	63 NO. DRWN: CH'K: APPR:	62 NO. DRWN: CH'K: APPR:	61 NO. DRWN: CH'K: APPR:	RELEASED 60 NO. J2004-1427 DRWN: K.SUZUKI '03/12/09 CH'K: M.SASAO '03/12/09 APPR: M.SASAO '03/12/09
-----------------------------	-----------------------------	-----------------------------	-----------------------------	---

MATERIAL 材料	注記参照 SEE NOTES
FINISH 仕上げ	//
WIRE RANGE 適用電線範囲	//
INS. RANGE 被覆外径	//

GENERAL TOLERANCES: (UNLESS SPECIFIED) 一般公差	SCALE	DESIGN UNITS
10 UNDER 未満 ±0.2	1:1	mm <input checked="" type="checkbox"/> INCH <input type="checkbox"/>
10 OVER 以上 30 UNDER 未満 ±0.25		PROJECTION
30 OVER 以上 ±0.3		<input type="checkbox"/> FIRST ANGLE <input checked="" type="checkbox"/> THIRD ANGLE
ANGLE 角度 ±3°		

MODEL NO. 55289-***8	DIMENSIONS: mm <input checked="" type="checkbox"/> INCH <input type="checkbox"/>	SHT 2	REV			
44	45.5	21.6	19.9	18.6	55289-0708	70
キャリアテープ幅	E	C	B	A	MATERIAL NO.	極数 CKT
DRAWN BY & DATE K.SUZUKI '03/12/09		TITLE: 0.5 BtB Conn RA WAFER Assy W/NAIL W/LOCK Embstp pkg -LEAD FREE-				
CHECKED BY & DATE M.SASAO '03/12/09		MOLEX INCORPORATED				
APPROVED BY & DATE M.SASAO '03/12/09						
CAD FILENAME SD-55289-010.S04	MATERIAL NO. SEE CHART	DRAWING NO. SD-55289-010	SHEET NO. 4 OF 4		SIZE B	