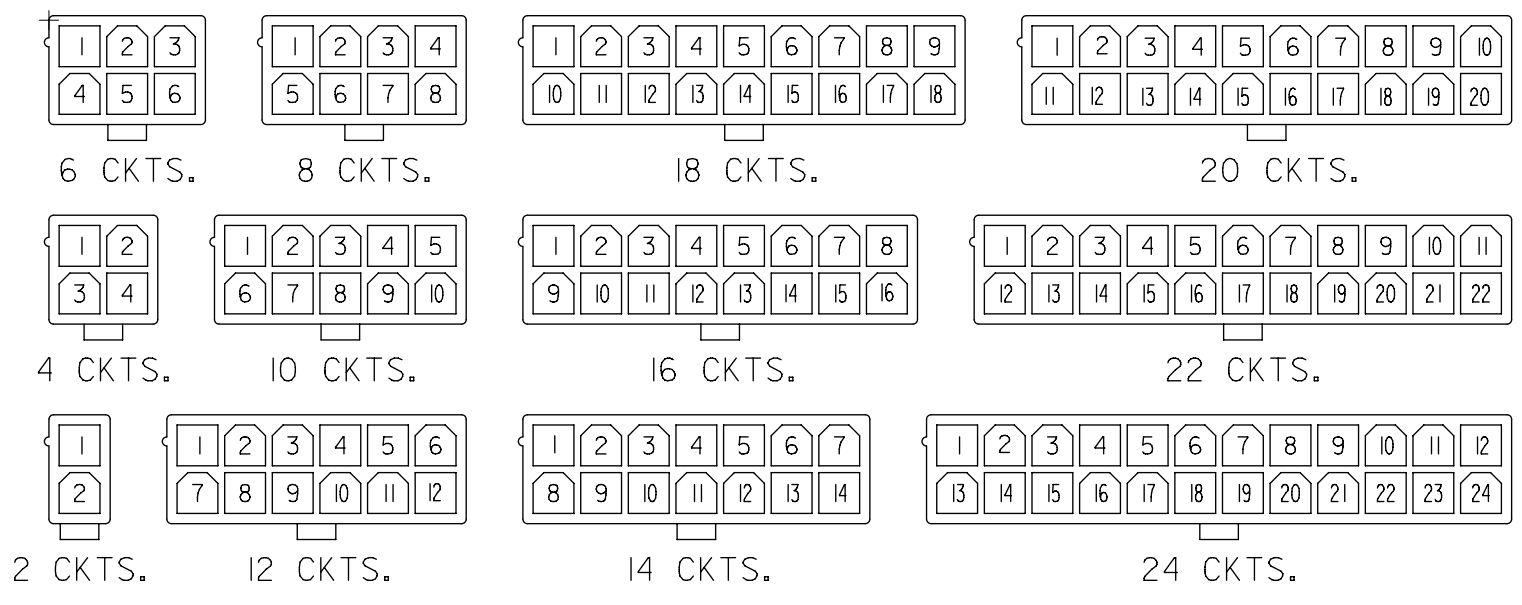
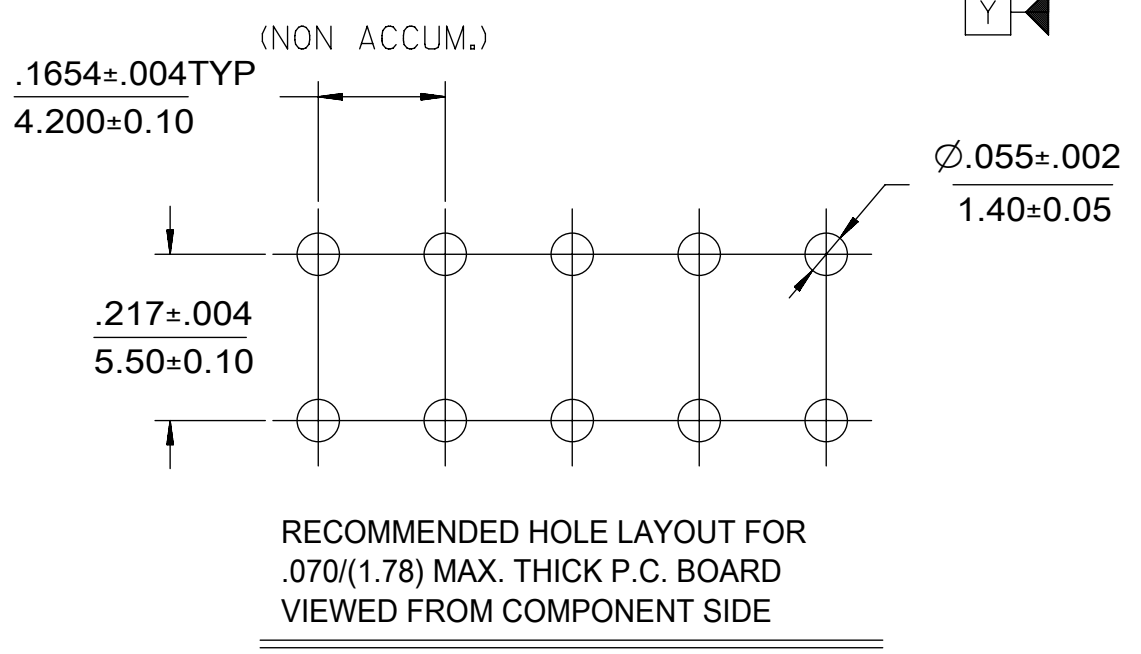
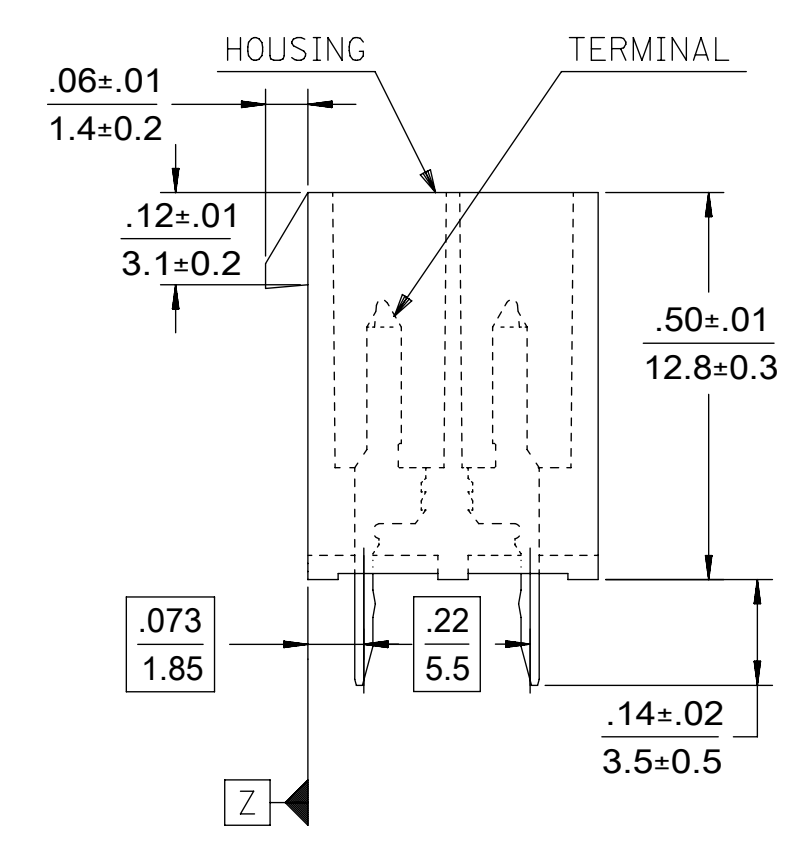
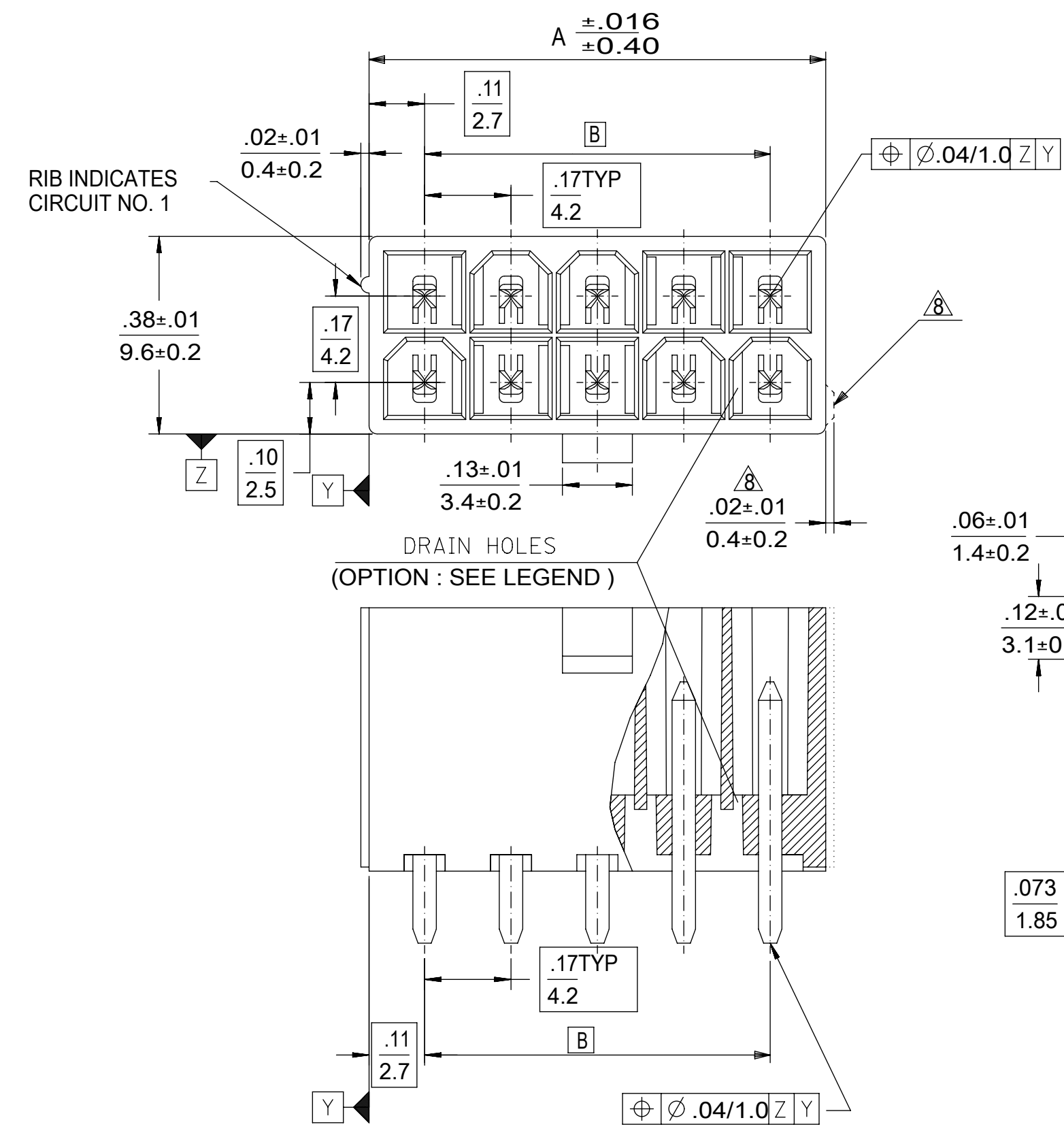


| CIRCUIT SIZE | DIM. "A" | DIM. "B" |
|--------------|----------------|----------------|
| 2 | .21 (5.4) | — |
| 4 | .38 (9.6) | .17 (4.2) |
| 6 | .54 (13.8) | .33 (8.4) |
| 8 | .71 (18.0) | .50 (12.6) |
| 10 | .87 (22.2) | .66 (16.8) |
| 12 | 1.04 (26.4) | .83 (21.0) |
| 14 | 1.20 (30.6) | .99 (25.2) |
| 16 | 1.37 (34.8) | 1.16 (29.4) |
| 18 | 1.54 (39.0) | 1.32 (33.6) |
| 20 | 1.70 (43.2) | 1.49 (37.8) |
| 22 | 1.87 (47.4) | 1.65 (42.0) |
| 24 | 2.03 (51.6) | 1.82 (46.2) |

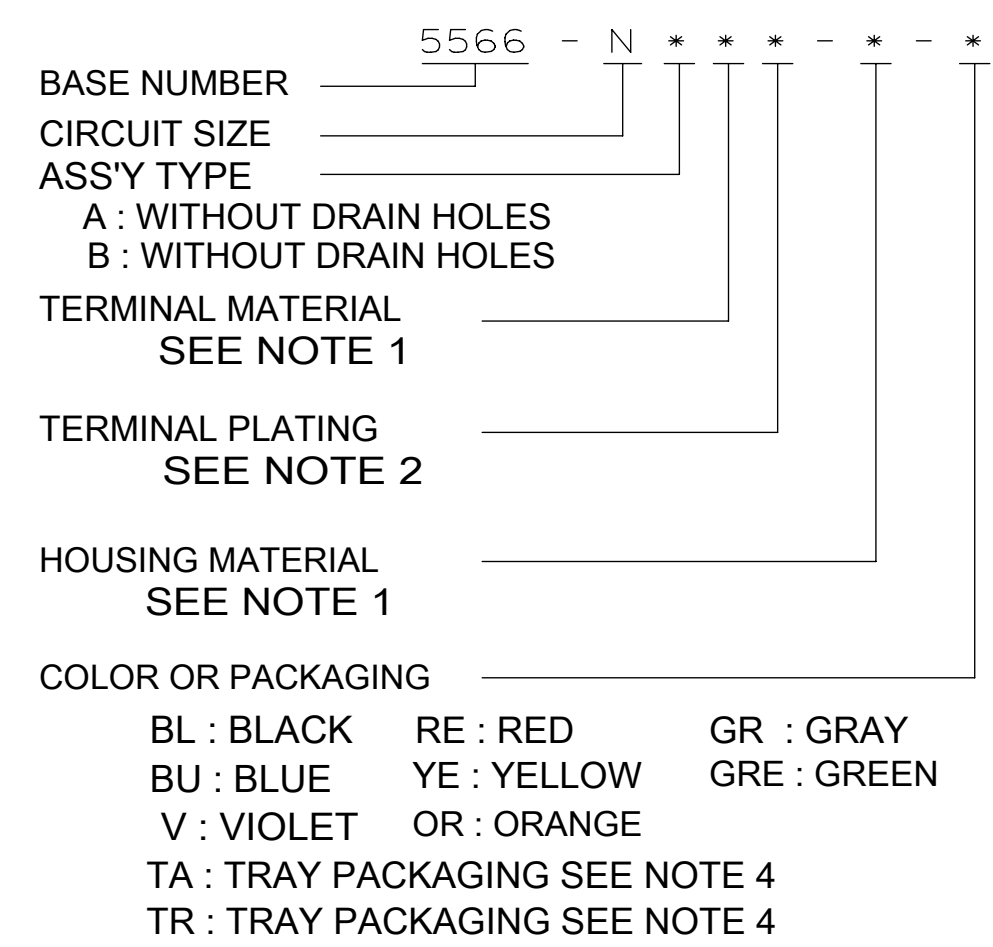


CIRCUIT SIZE LAYOUT



- NOTES:
- MATERIALS:
HOUSING:
"BLANK"=NYLON 6/6, UL94V-2, COLOR: NATURAL
"210" =NYLON 6/6, UL94V-0, COLOR: NATURAL
"400"=NYLON 6/6, UL94V-0, COLOR: BLACK
TERMINALS:
"BLANK" = BRASS
"PB" = PHOSPHOR BRONZE
 - TERMINAL PLATING:
"BLANK" = REFLOWED MATTE TIN .000035/(0.00090) MIN.
OVER COPPER .000020/(0.00050) MIN. (BRASS) (PREPLATE)
OR REFLOWED MATTE TIN .000035/(0.00090) MIN. (PHOSPHOR BRONZE) (PREPLATE)
(FINISH IS BRIGHT IN APPEARANCE, THICKNESS AS APPLIED PRIOR TO REFLOW)
"S"=.000100/(0.00254) MIN. BRIGHT TIN OVER
.000050/(0.00127) MIN NICKEL
"MS"=.000100/(0.00254) MIN. MATTE TIN OVER
.000050/(0.00127) MIN NICKEL
"GS2"=.000015/(0.00038) MIN. SELECT GOLD AND
.000100/(0.00254) MIN. SELECT MATTE TIN
OVER .000050/(0.00127) MIN. NICKEL OVERALL
"GS"=.000030/(0.00076) MIN. SELECT GOLD AND
.000100/(0.00254) MIN. SELECT MATTE TIN
OVER .000050/(0.00127) MIN. NICKEL OVERALL
 - PRODUCT SPECIFICATION: PS-5556-001
 - PACKAGING: "BLANK"= BULK PACKED,
"TA"=TRAY PACK PER PK-5566-001, "TR"=TRAY PACK PER PK-5566
 - PART MATES WITH MINI-FIT JR. RECEPTACLE NO. 5557.
 - PART IS NOT DESIGNED FOR CURRENT SHARING.
 - PARTS ARE NOT DESIGNED TO BE MATED OR UN-MATED
WHILE CIRCUITS ARE LIVE.
 - ANTI-SHINGLING RIB MAY OR MAY NOT APPEAR ON
HOUSINGS.
 - PART CONFORMS TO CLASS "B" REQUIREMENTS OF
COSMETIC SPECIFICATION PS-45499-002.
 - TEXT ON PART IS FOR REFERENCE ONLY. TEXT AND TEXT LOCATION MAY VARY
DEPENDING ON PART NUMBER AND/OR TOOL.

LEGEND



| | | | | | | | | | | | | |
|---|--|---------------------|--|---|--|--|--|----------------|--|--------------|----------|----------|
| THIS DRAWING CONTAINS INFORMATION THAT IS PROPRIETARY TO MOLEX ELECTRONIC TECHNOLOGIES, LLC AND SHOULD NOT BE USED WITHOUT WRITTEN PERMISSION | | | | | | | | | | | | |
| DIMENSION UNITS IN/MM | | SCALE 4:1 | | CURRENT REV DESC: OBSOLETE PART NUMBER AS PER PCN#511877 | | | | | | | | |
| GENERAL TOLERANCES (UNLESS SPECIFIED) | | | | EC NO: 693980 | | molex | | | | | | |
| 4 PLACES ± | | ± | | DRWN: ABHISP1 | | | | | | | | |
| 3 PLACES ± | | ± 0.005 | | 2022/05/13 | | MINI FIT JR VERTICAL HEADER ASSEMBLIES WITHOUT PEGS | | | | | | |
| 2 PLACES ± | | 0.13 ± 0.01 | | CHK'D: GGA | | | | | | | | |
| 1 PLACE ± | | ± 0.25 | | 2022/05/18 | | PRODUCT CUSTOMER DRAWING | | | | | | |
| 0 PLACES ± | | ± | | APPR: GGA | | | | | | | | |
| ANGULAR TOL ± 0.5 ° | | | | INITIAL REVISION: | | DOCUMENT NUMBER | | | | | | |
| DRAFT WHERE APPLICABLE MUST REMAIN WITHIN DIMENSIONS | | | | DRWN: H.HIRAMOTO | | 1989/04/03 | | SD-5566-002 | | DOC TYPE | DOC PART | REVISION |
| THIRD ANGLE PROJECTION | | | | APPR: FSMITH | | 2012/05/04 | | PSD | | 000 | M5 | |
| DRAWING | | | | SERIES | | MATERIAL NUMBER | | CUSTOMER | | SHEET NUMBER | | |
| C-SIZE | | | | 5566 | | SEE TABLE | | GENERAL MARKET | | 1 OF 5 | | |

| | | | | |
|-----------------|----|--------------|------------|----------|
| DOCUMENT STATUS | P1 | RELEASE DATE | 2022/05/18 | 11:56:17 |
|-----------------|----|--------------|------------|----------|

| | 12 | 11 | 10 | 9 | 8 | 7 | 6 | 5 | 4 | 3 | 2 | 1 | | |
|---|---------------|----------|---------|----------------|-----------------|------------|----------------|-------------------|----------------------|--------------|------------|--------------|-------------|--|
| H | | | | 39-30-9245 | 5566-24AGS2-210 | 39-29-6248 | 5566-24AGS-210 | | | | 39-28-8240 | 5566-24A-210 | 24 | |
| | | | | 39-30-9225 | 5566-22AGS2-210 | 39-29-6228 | 5566-22AGS-210 | | | | 39-28-8220 | -22A-210 | 22 | |
| | | | | 39-30-9205 | 5566-20AGS2-210 | 39-29-6208 | 5566-20AGS-210 | | | | 39-28-8200 | -20A-210 | 20 | |
| | | | | 39-30-9185 | 5566-18AGS2-210 | 39-29-6188 | 5566-18AGS-210 | | | | 39-28-8180 | -18A-210 | 18 | |
| | | | | 39-30-9165 | 5566-16AGS2-210 | 39-29-6168 | 5566-16AGS-210 | 39-30-6162 | 5566-16AS-210 | | 39-28-8160 | -16A-210 | 16 | |
| | | | | 39-30-9145 | 5566-14AGS2-210 | 39-29-6148 | 5566-14AGS-210 | | | | 39-28-8140 | -14A-210 | 14 | |
| | | | | 39-30-9125 | 5566-12AGS2-210 | 39-29-6128 | 5566-12AGS-210 | | | | 39-28-8120 | -12A-210 | 12 | |
| | | | | 39-30-9105 | 5566-10AGS2-210 | 39-29-6108 | 5566-10AGS-210 | | | | 39-28-8100 | -10A-210 | 10 | |
| | | | | 39-30-9085 | 5566-08AGS2-210 | 39-29-6088 | 5566-08AGS-210 | 39-30-6082 | 5566-08AS-210 | | 39-28-8080 | -08A-210 | 8 | |
| | | | | 39-30-9065 | 5566-06AGS2-210 | 39-29-6068 | 5566-06AGS-210 | 39-30-6062 | 5566-06AS-210 | | 39-28-8060 | -06A-210 | 6 | |
| G | | | | 39-30-9045 | 5566-04AGS2-210 | 39-29-6048 | 5566-04AGS-210 | 39-30-6042 | 5566-04AS-210 | | 39-28-8040 | -04A-210 | 4 | |
| | | | | 39-30-9025 | 5566-02AGS2-210 | 39-29-6028 | 5566-02AGS-210 | | | | 39-28-8020 | 5566-02A-210 | 2 | |
| | EDP NO. | ENG. NO. | EDP NO. | ENG. NO. | EDP NO. | ENG. NO. | EDP NO. | ENG. NO. | EDP NO. | ENG. NO. | EDP NO. | ENG. NO. | CKT. SIZE | |
| | 5566-NAPB-210 | | | 5566-NAGS2-210 | | | 5566-NAGS-210 | | | 5566-NAS-210 | | | 5566-NA-210 | |
| | | | | 39-30-9244 | 5566-24AGS2 | 39-29-0243 | 5566-24AGS | | | | 39-28-1243 | 5566-24A | 24 | |
| F | | | | 39-30-9224 | 5566-22AGS2 | | | | | | 39-28-1223 | 5566-22A | 22 | |
| | | | | 39-30-9204 | 5566-20AGS2 | 39-29-0203 | 5566-20AGS | | | | 39-28-1203 | 5566-20A | 20 | |
| | | | | 39-30-9184 | 5566-18AGS2 | 39-29-0183 | 5566-18AGS | | | | 39-28-1183 | 5566-18A | 18 | |
| | | | | 39-30-9164 | 5566-16AGS2 | | | | | | 39-28-1163 | 5566-16A | 16 | |
| | | | | 39-30-9144 | 5566-14AGS2 | | | | | | 39-28-1143 | 5566-14A | 14 | |
| | | | | 39-30-9124 | 5566-12AGS2 | 39-29-0123 | 5566-12AGS | | | | 39-28-1123 | 5566-12A | 12 | |
| | | | | 39-30-9104 | 5566-10AGS2 | 39-29-0103 | 5566-10AGS | 39-30-6101 | 5566-10AS | | 39-28-1103 | 5566-10A | 10 | |
| | | | | 39-30-9084 | 5566-08AGS2 | 39-29-0083 | 5566-08AGS | 39-30-6081 | 5566-08AS | | 39-28-1083 | 5566-08A | 8 | |
| | | | | 39-30-9064 | 5566-06AGS2 | 39-29-0063 | 5566-06AGS | | | | 39-28-1063 | 5566-06A | 6 | |
| | | | | 39-30-9044 | 5566-04AGS2 | 39-29-0043 | 5566-04AGS | | | | 39-28-1043 | 5566-04A | 4 | |
| E | | | | 39-30-9024 | 5566-02AGS2 | 39-29-0023 | 5566-02AGS | | | | 39-28-1023 | 5566-02A | 2 | |
| | EDP NO. | ENG. NO. | EDP NO. | ENG. NO. | EDP NO. | ENG. NO. | EDP NO. | ENG. NO. | EDP NO. | ENG. NO. | EDP NO. | ENG. NO. | CKT. SIZE | |
| | 5566-NAPB | | | 5566-NAGS2 | | | 5566-NAGS | | | 5566-NAS | | | 5566-NA | |

PARTS WITHOUT DRAIN HOLES

| | | | | | | | | | | | | | | | | | |
|---|-------|--|--|---------|-----------|--------|---|-----------------|--|----------|--------------|-----------------|--|--|----------|----------|----------|
| THIS DRAWING CONTAINS INFORMATION THAT IS PROPRIETARY TO MOLEX ELECTRONIC TECHNOLOGIES, LLC AND SHOULD NOT BE USED WITHOUT WRITTEN PERMISSION | | | | | | | | | | | | | | | | | |
| DIMENSION UNITS | SCALE | CURRENT REV DESC: OBSOLETE PART NUMBER AS PER PCN#511877 | | | | | molex | | | | | | | | | | |
| IN/MM | 1:1 | EC NO: 693980 DRWN: ABHISP1 2022/05/18 CHK'D: GGA APPR: GGA 2022/05/18 INITIAL REVISION: DRWN: H.HIRAMOTO 1989/04/03 APPR: FSMITH 2012/05/04 | | | | | MINI FIT JR VERTICAL HEADER ASSEMBLIES WITHOUT PEGS | | | | | | | | | | |
| GENERAL TOLERANCES (UNLESS SPECIFIED) | | | | | | | PRODUCT CUSTOMER DRAWING | | | | | | | | | | |
| 4 PLACES | ± | | | | | | MM | INCH | | | | DOCUMENT NUMBER | | | DOC TYPE | DOC PART | REVISION |
| 3 PLACES | ± | | | | | | 0.13 | 0.01 | | | | SD-5566-002 | | | PSD | 000 | M5 |
| 2 PLACES | ± | | | | | | 0.25 | 0.01 | | | | MATERIAL NUMBER | | | CUSTOMER | | |
| 1 PLACE | ± | | | | SEE TABLE | | | GENERAL MARKET | | | SHEET NUMBER | | | | | | |
| 0 PLACES | ± | | | | C-SIZE | | | 5566 | | 2 OF 5 | | | | | | | |
| ANGULAR TOL ± 0.5° | | THIRD ANGLE PROJECTION | | DRAWING | | SERIES | | MATERIAL NUMBER | | CUSTOMER | | SHEET NUMBER | | | | | |
| DRAFT WHERE APPLICABLE MUST REMAIN WITHIN DIMENSIONS | | | | | | | | | | | | | | | | | |

H

G

F

E

D

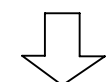
C

B

A

| | | | | | | | |
|--|-------------------|--------------------|----------------|-------------|--------------|-----------|---|
| | | | | | | 24 | |
| | | | | | | 22 | |
| | | | | | | 20 | |
| | | | | | | 18 | |
| | | 39-31-0168 | 5566-16BGS-210 | 39-31-0160 | 5566-16B-210 | 16 | |
| | | 39-31-0148 | 5566-14BGS-210 | 39-31-0140 | 5566-14B-210 | 14 | |
| | | 39-31-0128 | 5566-12BGS-210 | 39-31-0120 | 5566-12B-210 | 12 | |
| | | 39-31-0108 | 5566-10BGS-210 | 39-31-0100 | 5566-10B-210 | 10 | |
| | | 39-31-0088 | 5566-08BGS-210 | 39-31-0080 | 5566-08B-210 | 8 | |
| | | 39-31-0068 | 5566-06BGS-210 | 39-31-0060 | 5566-06B-210 | 6 | |
| | | 39-31-0048 | 5566-04BGS-210 | 39-31-0040 | 5566-04B-210 | 4 | |
| | | 39-31-0028 | 5566-02BGS-210 | 39-31-0020 | 5566-02B-210 | 2 | |
| | | EDP NO. | ENG. NO. | EDP NO. | ENG. NO. | CKT. SIZE | |
| | | 5566-NBGS-210 | | 5566-NB-210 | | | |
| | | | | | | 24 | |
| | | | | | | 22 | |
| | | 39-31-0207 | 5566-20BGS | 39-29-3206 | 5566-20B | 20 | |
| | | | | | | 18 | |
| | | 39-31-0167 | 5566-16BGS | 39-29-3166 | 5566-16B | 16 | |
| | | 39-31-0147 | 5566-14BGS | 39-29-3146 | 5566-14B | 14 | |
| | | | | 39-29-3126 | 5566-12B | 12 | |
| | | 39-31-0107 | 5566-10BGS | 39-29-3106 | 5566-10B | 10 | |
| | | 39-31-0087 | 5566-08BGS | 39-29-3086 | 5566-08B | 8 | |
| | | 39-31-0067 | 5566-06BGS | 39-29-3066 | 5566-06B | 6 | |
| | 39-30-9046 | 5566-04BGS2 | 39-31-0047 | 5566-04BGS | 39-29-3046 | 5566-04B | 4 |
| | | | 39-31-0027 | 5566-02BGS | 39-29-3026 | 5566-02B | 2 |
| | | EDP NO. | ENG. NO. | EDP NO. | ENG. NO. | CKT. SIZE | |
| | | 5566-NBGS2 | | 5566-NBGS | | 5566-NB | |

PARTS WITH DRAIN HOLES



PARTS WITH/OUT DRAIN HOLES

PENDING OBSOLETE

-NOT RECOMENDED FOR NEW APPLICATIONS
-NO WITH DRAIN HOLE VERSION PRODUCT

| | | | | | | | | | | |
|---|--|---------------------|--------|---|--|-----------------------|--|----------------------------|--|------------------------|
| THIS DRAWING CONTAINS INFORMATION THAT IS PROPRIETARY TO MOLEX ELECTRONIC TECHNOLOGIES, LLC AND SHOULD NOT BE USED WITHOUT WRITTEN PERMISSION | | | | | | | | | | |
| DIMENSION UNITS IN/MM | | SCALE 1:1 | | CURRENT REV DESC: OBSOLETE PART NUMBER AS PER PCN#511877 | | | molex | | | |
| GENERAL TOLERANCES (UNLESS SPECIFIED) | | | | EC NO: 693980 | | | | | | |
| | | MM | INCH | DRWN: ABHISP1 2022/05/13 | | | MINI FIT JR VERTICAL HEADER ASSEMBLIES WITHOUT PEGS | | | |
| 4 PLACES ± | | ± | ± | CHK'D: GGA 2022/05/18 | | | | | | |
| 3 PLACES ± | | ± 0.005 | ± | APPR: GGA 2022/05/18 | | | PRODUCT CUSTOMER DRAWING | | | |
| 2 PLACES ± | | 0.13 | ± 0.01 | INITIAL REVISION: | | | | | | |
| 1 PLACE ± | | 0.25 | ± | DRWN: H.HIRAMOTO 1989/04/03 | | | DOCUMENT NUMBER SD-5566-002 | | | |
| 0 PLACES ± | | ± | ± | APPR: FSMITH 2012/05/04 | | | | | | DOC TYPE PSD |
| ANGULAR TOL ± | | 0.5 ° | | THIRD ANGLE PROJECTION | | | MATERIAL NUMBER SEE TABLE | CUSTOMER GENERAL MARKET | | SHEET NUMBER 3 OF 5 |
| DRAFT WHERE APPLICABLE MUST REMAIN WITHIN DIMENSIONS | | | | DRAWING C-SIZE | | SERIES 5566 | | | | |

COLORED PART NUMBERS

| | | | | | | |
|-------------|--------------|-------------|--------------|------------|-------------|-----------|
| | | | | | | 24 |
| | | | | | | 22 |
| | | | | | | 20 |
| 46999-0085 | 5566-18AS-RE | | | | | 18 |
| | | | | | | 16 |
| | | | | | | 14 |
| | | | | | | 12 |
| | | | | 46999-0087 | 5566-10AS-V | 10 |
| | | | | | | 8 |
| | | 46999-0089 | 5566-08AS-OR | | | 6 |
| | | | | | | 4 |
| | | | | | | 2 |
| EDP. NO. | ENG. NO. | EDP. NO. | ENG. NO. | EDP. NO. | ENG. NO. | CKT. SIZE |
| 5566-NAS-RE | | 5566-NAS-OR | | 5566-NAS-V | | |

| | | | | | | | | | | | |
|----------------------------------|------------|----------------|----------------------------------|--------------|---------------|----------------|---------------|-------------|-----------------|-----------|----|
| TRAY PACKED PER TA \triangle 4 | 46999-0575 | 5566-24AMS-400 | TRAY PACKED PER TA \triangle 4 | | | | | | | 24 | |
| | 46999-0574 | 5566-22AMS-400 | | | | | | | | | 22 |
| | 46999-0573 | 5566-20AMS-400 | | | | | | | | | 20 |
| | 46999-0572 | 5566-18AMS-400 | | | | | | | | | 18 |
| | 46999-0571 | 5566-16AMS-400 | | | | | | | | | 16 |
| | 46999-0570 | 5566-14AMS-400 | | | | | | | | | 14 |
| | 46999-0569 | 5566-12AMS-400 | | | | | | | | | 12 |
| | 46999-0568 | 5566-10AMS-400 | | 46999-0876 | 5566-10AMS-RE | | | | | | 10 |
| | 46999-0567 | 5566-08AMS-400 | | | | 46999-0091 | 5566-08AS-GRE | | | | 8 |
| | 46999-0566 | 5566-06AMS-400 | | | | | | | | | 6 |
| | 46999-0565 | 5566-04AMS-400 | | | | | | | | | 4 |
| | 46999-0564 | 5566-02AMS-400 | | | | 50-36-2485 | 5566-02AS-GRE | 39-34-5023 | 5566-02A-210-YE | | |
| EDP. NO. | ENG. NO. | EDP. NO. | ENG. NO. | EDP. NO. | ENG. NO. | EDP. NO. | ENG. NO. | EDP. NO. | ENG. NO. | CKT. SIZE | |
| 5566-NAMS-400 | | 5566-NAMS-RE | | 5566-NAS-GRE | | 5566-NA-210-YE | | 5566-NA-400 | | | |
| | | | | | | | | | | 24 | |
| | | | | | | | | | | 22 | |
| | | | | | | | | | | 20 | |
| | | | | | | | | | | 18 | |
| | | | | | | | | | | 16 | |
| | | | | | | | | | | 14 | |
| | | | | | | | | | | 12 | |
| | | | | | | | | | | 10 | |
| | | | | | | | | | | 8 | |
| | | | | | | | | | | 6 | |
| | | | | | | | | 39-33-3043 | 5566-04A-BL | 4 | |
| | | | | | | | | 39-33-3023 | 5566-02A-BL | 2 | |
| EDP. NO. | ENG. NO. | EDP. NO. | ENG. NO. | EDP. NO. | ENG. NO. | EDP. NO. | ENG. NO. | EDP. NO. | ENG. NO. | CKT. SIZE | |
| 5566-NA-GR | | 5566-NA-YE | | 5566-NA-RE | | 5566-NA-BU | | 5566-NA-BL | | | |

PARTS WITHOUT DRAIN HOLES

THIS DRAWING CONTAINS INFORMATION THAT IS PROPRIETARY TO MOLEX ELECTRONIC TECHNOLOGIES, LLC AND SHOULD NOT BE USED WITHOUT WRITTEN PERMISSION

| | | | | | |
|--|---------|--|---|-----------------|-----------------|
| DIMENSION UNITS | SCALE | CURRENT REV DESC: OBSOLETE PART NUMBER AS PER PCN#511877 | molex | | |
| IN/MM | 1:1 | | | | |
| GENERAL TOLERANCES (UNLESS SPECIFIED) | | | MINI FIT JR VERTICAL HEADER ASSEMBLIES WITHOUT PEGS | | |
| | MM | INCH | PRODUCT CUSTOMER DRAWING | | |
| 4 PLACES | ± | ± | EC NO: 693980 | 2022/05/13 | DOCUMENT NUMBER |
| 3 PLACES | ± | ± 0.005 | DRWN: ABHISP1 | 2022/05/18 | SD-5566-002 |
| 2 PLACES | ± 0.13 | ± 0.01 | CHK'D: GGA | 2022/05/18 | DOC TYPE |
| 1 PLACE | ± 0.25 | ± | APPR: GGA | | PSD |
| 0 PLACES | ± | ± | INITIAL REVISION: | 1989/04/03 | DOC PART |
| | | | DRWN: H.HIRAMOTO | 2012/05/04 | 000 |
| | | | APPR: FSMITH | | M5 |
| ANGULAR TOL | ± 0.5 ° | | | | REVISION |
| DRAFT WHERE APPLICABLE MUST REMAIN WITHIN DIMENSIONS | | | THIRD ANGLE PROJECTION | DRAWING | SHEET NUMBER |
| | | | | C-SIZE | 4 OF 5 |
| | | | | SERIES | |
| | | | | 5566 | |
| | | | | MATERIAL NUMBER | |
| | | | | SEE TABLE | |
| | | | | CUSTOMER | |
| | | | | GENERAL MARKET | |

TRAY PACKED PART NUMBERS
PARTS WITHOUT DRAIN HOLES

| | | | | | | |
|----------------------------------|------------------|-------------------|----------------------------------|-------------|----------------|-----------|
| TRAY PACKED PER TA \triangle 4 | 46999-0137 | 5566-24AMS | TRAY PACKED PER TA \triangle 4 | 46999-0149 | 5566-24AMS-210 | 24 |
| | 46999-0136 | 5566-22AMS | | 46999-0148 | 5566-22AMS-210 | 22 |
| | 46999-0135 | 5566-20AMS | | 46999-0147 | 5566-20AMS-210 | 20 |
| | 46999-0134 | 5566-18AMS | | 46999-0146 | 5566-18AMS-210 | 18 |
| | 46999-0133 | 5566-16AMS | | 46999-0145 | 5566-16AMS-210 | 16 |
| | 46999-0132 | 5566-14AMS | | 46999-0144 | 5566-14AMS-210 | 14 |
| | 46999-0131 | 5566-12AMS | | 46999-0143 | 5566-12AMS-210 | 12 |
| | 46999-0130 | 5566-10AMS | | 46999-0142 | 5566-10AMS-210 | 10 |
| | 46999-0129 | 5566-08AMS | | 46999-0141 | 5566-08AMS-210 | 8 |
| | 46999-0128 | 5566-06AMS | | 46999-0140 | 5566-06AMS-210 | 6 |
| | 46999-0127 | 5566-04AMS | | 46999-0139 | 5566-04AMS-210 | 4 |
| | 46999-0126 | 5566-02AMS | | 46999-0138 | 5566-02AMS-210 | 2 |
| | EDP. NO. | | | ENG. NO. | EDP. NO. | |
| 5566-NAMS | | | 5566-NAMS-210 | | | |
| | | | | | | 24 |
| | | | | | | 22 |
| | | | | | | 20 |
| | | | 39-53-9188 | 5566-18A-TA | | 18 |
| | | | | | | 16 |
| | | | | | | 14 |
| | | | | | | 12 |
| | | | | | | 10 |
| | | | | | | 8 |
| | 46999-0630 | 5566-06AGS2-BL-TA | | | | 6 |
| | 46999-0629 | 5566-04AGS2-BL-TA | | | | 4 |
| | | | | | | 2 |
| | EDP. NO. | ENG. NO. | EDP. NO. | ENG. NO. | | CKT. SIZE |
| | 5566-NAGS2-BL-TA | | 5566-NA-TA | | | |

THIS DRAWING CONTAINS INFORMATION THAT IS PROPRIETARY TO MOLEX ELECTRONIC TECHNOLOGIES, LLC AND SHOULD NOT BE USED WITHOUT WRITTEN PERMISSION

| | | | | | |
|--|------------------------|---|--|-----------------|----------------|
| DIMENSION UNITS IN/MM | SCALE 1:1 | CURRENT REV DESC: OBSOLETE PART NUMBER AS PER PCN#511877 | molex | | |
| GENERAL TOLERANCES (UNLESS SPECIFIED) | | | | | |
| 4 PLACES \pm | MM | INCH | MINI FIT JR VERTICAL HEADER ASSEMBLIES WITHOUT PEGS | | |
| 3 PLACES \pm | \pm 0.005 | | PRODUCT CUSTOMER DRAWING | | |
| 2 PLACES \pm | 0.13 | \pm 0.01 | DOCUMENT NUMBER | | |
| 1 PLACE \pm | 0.25 | \pm | SD-5566-002 | | |
| 0 PLACES \pm | | | DOC TYPE | DOC PART | REVISION |
| ANGULAR TOL \pm | 0.5 ° | | PSD | 000 | M5 |
| DRAFT WHERE APPLICABLE MUST REMAIN WITHIN DIMENSIONS | THIRD ANGLE PROJECTION | DRAWING | SERIES | MATERIAL NUMBER | CUSTOMER |
| | | C-SIZE | 5566 | SEE TABLE | GENERAL MARKET |
| | | | | | SHEET NUMBER |
| | | | | | 5 OF 5 |