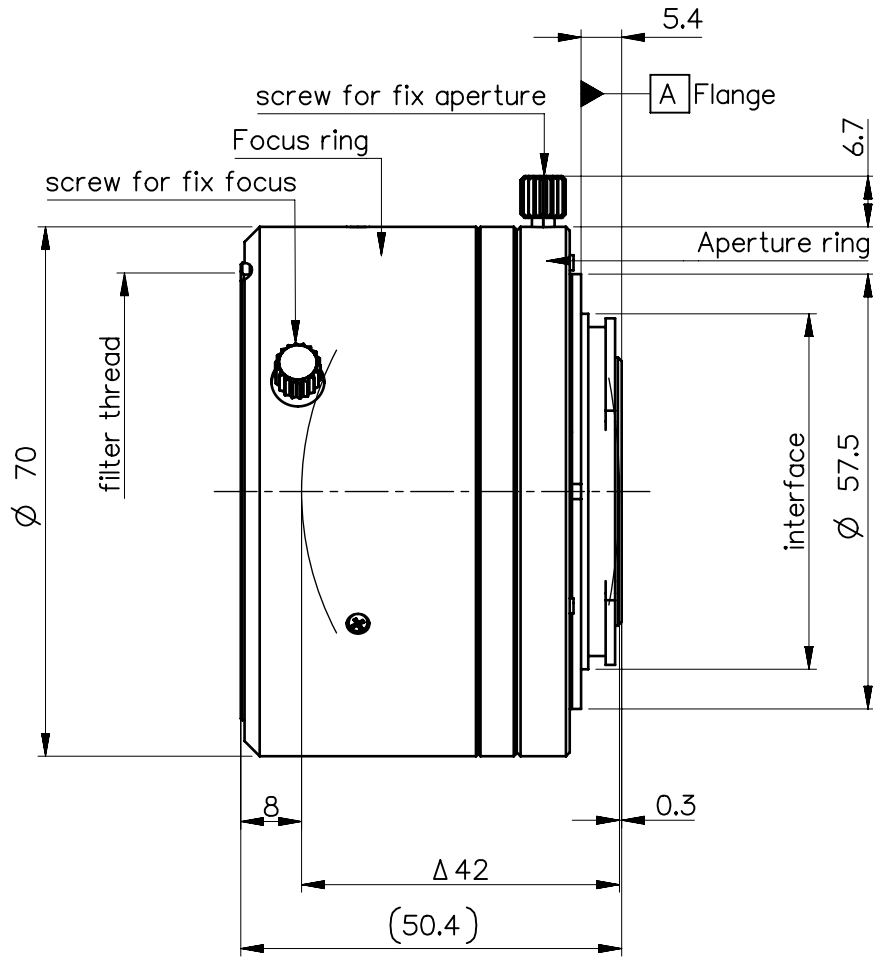


order number	lens name	spectral range
0009-243-000-40	Inspec.x M 1.4/50	400-700nm
0009-243-000-42	Inspec.x M 1.4/50 NIR	900-1350nm



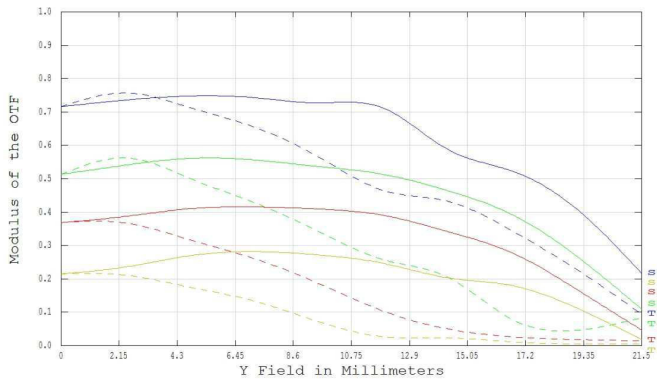
<b>Specification</b>		ON	
image circle max. (mm)	43.5	working distance (mm)	355 - ∞
focal length f' (mm) *	51.6	interface	F-mount
magnification β' [range]	-0.07 [-0.15 ... 0]	filter thread	M58 x0.75
spectral range λ (nm)	400 - 700	weight (g)	350
schematic diagram		design includes CCD cover glass: no	
*) in air		SF (mm)	-18.8
f-stop		∅ EnP	
∅ Exp			
S'F' (mm) *		37.5	1.4
HH' (mm) *		-4.8	2.8
SH (mm)		32.8	4
S'H' (mm) *		-14.1	5.6
SEnP (mm)		26.9	8
S'Exp (mm) *		-27.8	16

<b>NX</b> PROTECTIVE NOTE "DIN ISO 16016" TO BE OBSERVED	EU-D	AL-T1A	US-D	US-ML	not export controlled	
	REV	ECC	DATE	APPROVED	PDM Status	
	a	Neuausg			Freigabe	-
	b	11-358	20.07.11	Kuehne	SCALE	1:1
	c	11-358	28.09.11	Labarte	MATERIAL	
	d	14-0184	22.09.14	Schiffe	TITLE	
e	14-0184	12.01.15	Schiffe	Inspec.x M1.4/50		
f	14-0184	19.02.15	Schiffe	DRAWING NO.		
GENERAL TOLERANCE OF DIMENSION, FORM, POS.				0009-243-100-00-0001f		
ISO 2768-mH				SHEET 1		
BASIC TOLERANCING PRINCIPLE				OF 1		
ISO 8015				REPLACES		
FIRST DATE NAME						
ISSUE 15.02.11 Schiffer						
CHKD 15.02.11 Stauder						
<b>QI OPTIQ</b> ALL DIMENSIONS ARE IN MM AND INCLUDE SURFACE TREATMENT				DRAWING NO.		
				0009-243-100-00-0001f		

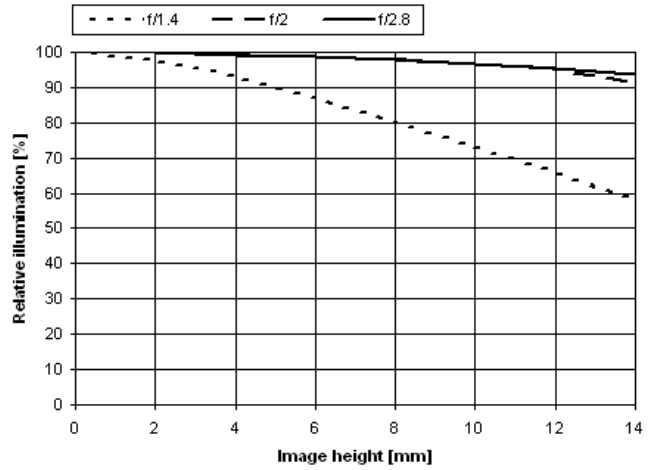
# Inspec.x M 1.4/50

## MTF at ratio = 0.07 f/1.4

MTF [%] for 5.0 10.0 20.0 40.0 Lp / mm

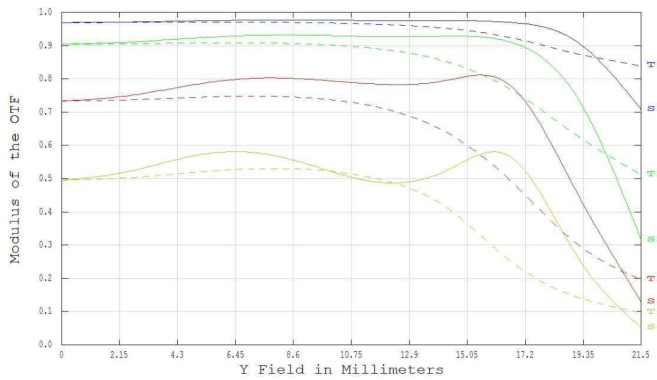


## Relative light fall off at ratio = 0.07

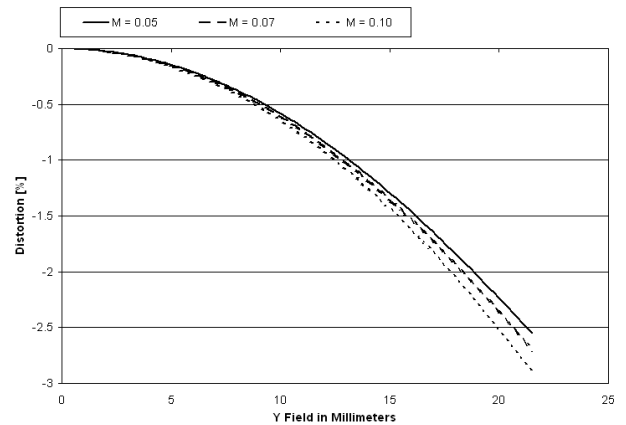


## MTF at ratio = 0,07 f/2.8

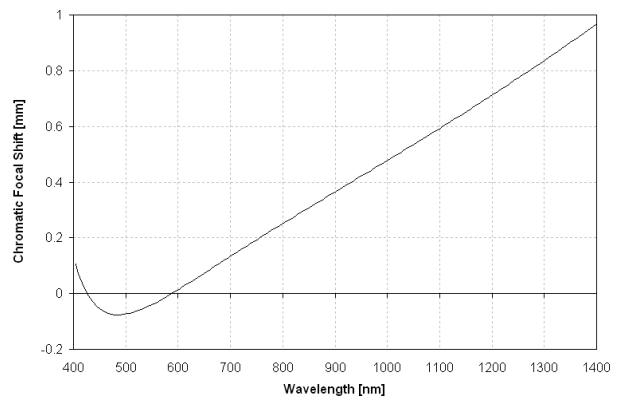
MTF [%] for 5.0 10.0 20.0 40.0 Lp / mm



## Distortion at ratio = 0.05x to 0.1x



## Longitudinal color aberration at ratio = 0.07



Spatial frequencies (Lp/mm) as well as diagrams for relative light fall off, distortion and color aberration refer to image (sensor) plane.