

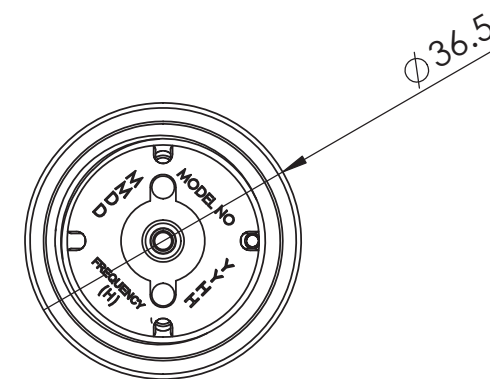
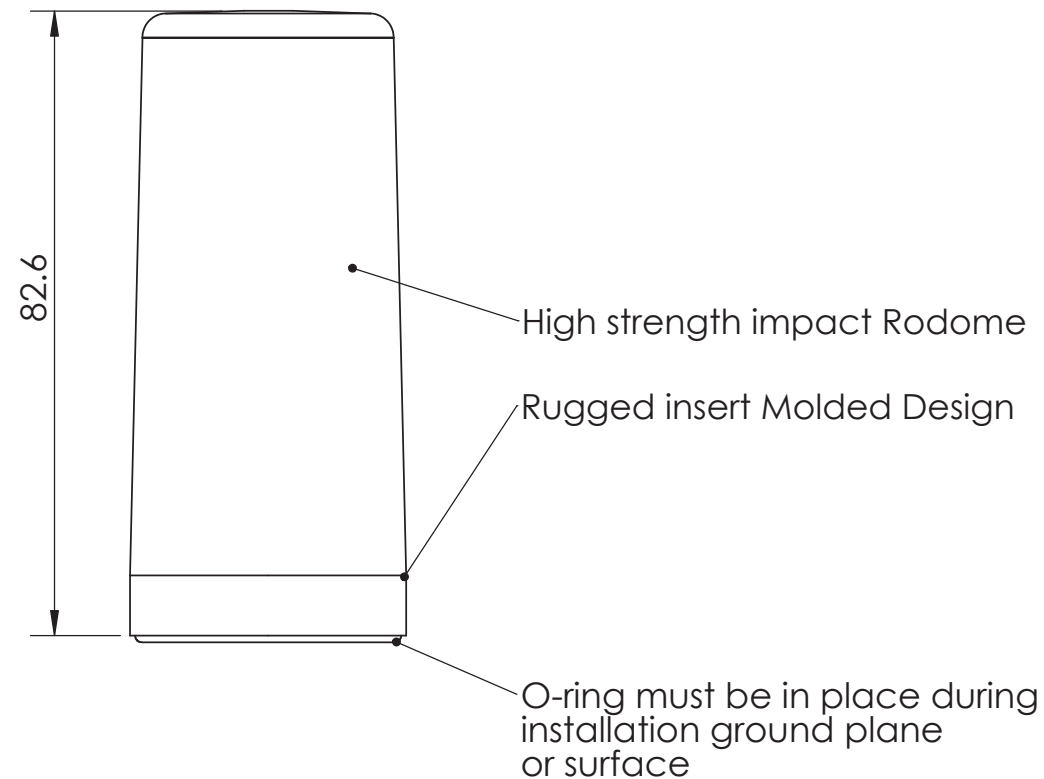
# Electrical SPEC

Item	Model Number	Antenna Color	Frequency	VSWR	Gain (Typical)	Gain (Max)	Input Impedance	Polarization
1	UTRA4502S3NW-001	WHITE	450-512 MHz	<2.5:1	3.7 dBi	4.1 dBi	50 ohm	Vertical
2	UTRA4502S3NB-001	BLACK	450-512 MHz	<2.5:1	3.7 dBi	4.1 dBi	50 ohm	Vertical

\*Tested on 2ft x 2ft Ground Plane

## REVISIONS

REV.	ECR#	ZONE	DESCRIPTION	CHANGED BY/DATE	APPROVED BY/DATE
F01	ECN-IAS-03462	N/A	MO RELEASED	TPC 8 MAY 13	CYH 8 MAY13



## Parameter

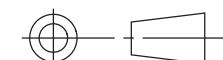
## Mechanical SPEC

Model Number	Refer to Config Table Below
Antenna Type	Shorted Monopole
Weight	163.3g
Mounting	NMO
Wind Survival	282 km/h
Antenna Dimension	82.6(H)X36.5(Dia.)mm (Excludes Gasket Height)
Operating Temperature	-45°C ~ +85°C
Storage Temperature	-50°C ~ +85°C
Ingression Protection	IP67
Installation Torque	5.43~8.14 Nm

MATERIAL: N/A

FINISH: N/A

THIRD ANGLE PROJECTION



DO NOT SCALE DRAWING

APPROVALS DATE

DRAWN BY TP CHEE 8 MAY 13

ELEC. ENG.

MECH. ENG. TP CHEE 8 MAY 13

MFG./OPS.

INTERPRET DIMENSIONING AND TOLERANCING IN ACCORDANCE WITH ASME Y14.5M-2009

TOLERANCES UNLESS OTHERWISE SPECIFIED

DIMENSIONS ARE IN MILLIMETERS

ANGLE: ±30'  
0 PLACE DECIMAL: ±0.5  
1 PLACE DECIMAL: ±0.25  
2 PLACE DECIMAL: ±0.13

SURFACE ROUGHNESS 1.6/√

TITLE:

UTRA4502S3N

SIZE  
**A3**

DWG. NO.  
**UTRA4502S3NMO**

REV  
**F01**

SCALE: 1:2 PREVIOUS#

SHEET 1 OF 1

THIS DRAWING IS UNPUBLISHED.

RELEASED FOR PUBLICATION

© Copyright 2022 TE Connectivity Ltd.

ALL RIGHTS RESERVED.