

Product Information

SFP-W Series

100M SFP Modules



Features

- ❖ Single + 3.3V power supply
- ❖ Differential Inputs and Outputs
- ❖ Small Form Factor Pluggable MSA Compliant
- ❖ Industrial Operation Temp.: -40°C to +75 °C



Henrich Electronics Corporation

Main Office

Tel: 860-487-9869

Fax: 860-487-9478

www.henrich-inc.com

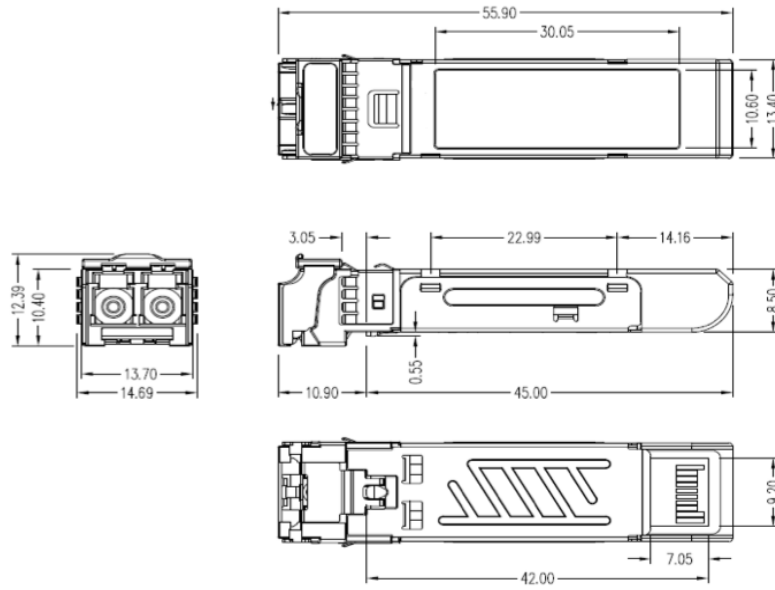
Introduction

The transceiver from Henrich is small form factor pluggable module with standard duplex connector for fiber communications. This module is designed for multi-mode-fiber (MMF) and operates at a nominal wavelength of 850 nm with cost effective and high performance. It is with the SFP 20-pin connector to allow hot plug capability.

Specifications

Absolute Maximum Ratings	
Supply Voltage	0~4V
Storage Temperature	-40 to +85°C
Operating Temperature	-40 to +75°C
Lead Soldering Limits	MAX: 260/10°C /sec
General Specifications	
Data Rate	50 to 200Mbps, type: 155Mbps
Supported Link Length on 62.5/125µm MMF	Min:2Km
Supply Current	Max: 300mA
Power Dissipation	1000mW
Transmitter Electrical Characteristics	
Supply Voltage	3.15 to 3.45V, Typ: 3.3V
Data Differential Input Voltage	400 to 2000mV
Disable Input Voltage	-1.81 to -1.48V
Enable Input Voltage	-1.16 to -0.88V
POut@TX Disable Asserted	Max: -45dBm
Transmitter Optical Characteristics	
Output Optical Power on 62.5µm MMF :	-10 to -3dBm
Center Wavelength	830 to 870nm, Typ: 850nm
Spectral Width(RMS)	Max:0.85nm
Optical Rise Time (20%-80%)	Max: 2ns
Optical Fall Time (20%-80%)	Max: 2ns
Extinction Ratio	Min: 9dB
Receiver Electrical Characteristics	
Supply Voltage	3.15 to 3.45V, typ: 3.3V
Data Differential Output Voltage	500 to 1200mV
Receiver LOS/SD Output Voltage-High	Min:2.0V
Receiver LOS/SD OutputVoltage-Low	0 to 0.8V
Data Output Rise Time (20%-80%)	Max:2ns
Data Output Fall Time (20%-80%)	Max:2ns
Receiver Optical Characteristics	
Maximum Receiver Power	Min: -3dBm
Receiver Sensitivity	Max: -28dBm
Operating Wavelength	770 to 870nm
Optical Return Loss	Max:12dB
Signal Detect-Asserted	Max: -28dBm avg.
Signal Detect-Deasserted	Min: -46dBm avg.
Signal Detect-Hysteresis	Min: 0.5dB

Dimension drawings



Units:mm

Ordering Information

SFP-W Series

SFP-W	Multi-Mode Fiber Port with LC Connector, 2KM, Industrial Wide Temperature:-40°C to +75°C.
-------	---