

DISK # C9  
DWG SIZE B

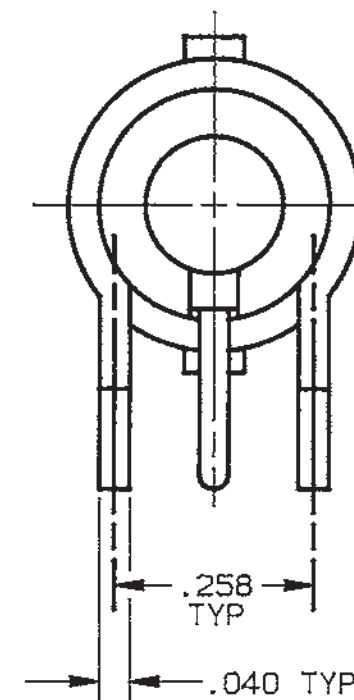
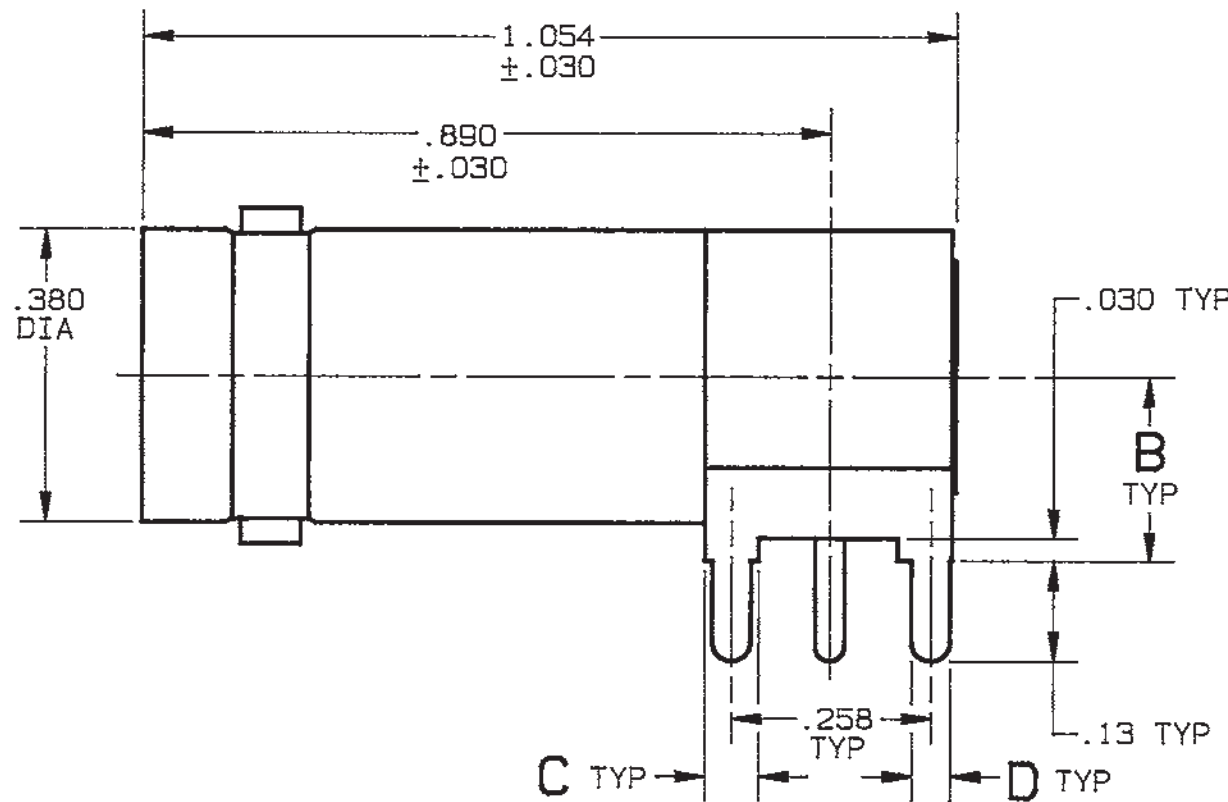
DATA CONTAINED IN THIS DOCUMENT IS PROPRIETARY TO TROMPETER ELECTRONICS INC. AND SHALL NOT BE DISCLOSED, COPIED OR USED FOR PROCUREMENT OR MANUFACTURE WITHOUT EXPRESS WRITTEN PERMISSION.

| REVISIONS |      |  | 1-0044 |           | SH 1    |
|-----------|------|--|--------|-----------|---------|
| REV       | EO   | DESCRIPTION  | DWN    | APPROVED  | DATE    |
| H         | 9449 | CHANGE "C" DIM FROM .070 TO .090, -1 AND -2; DWG NO WAS 1000-0044; & REDWN | DKC    | B.M.; Dal | 10-2-91 |

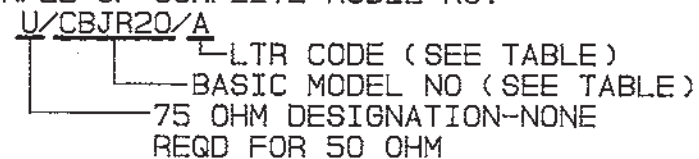
| DASH NO | MODEL NO | LTR CODE | IMPD | A DIA | B DIM | C DIM | D DIM | E DIA |
|---------|----------|----------|------|-------|-------|-------|-------|-------|
| -1      | CBJR20   | A        | 50   | .046  | .24   | .090  | .050  | .0625 |
| -2      | UCBJR20  |          | 75   | .029  |       |       |       |       |
| -3      | CBJR20A  |          | 50   | .046  | .34   |       | .058  | .070  |
| -4      | UCBJR20A |          | 75   | .029  |       |       |       |       |

| INCH  | MM    |
|-------|-------|
| .001  | 0.03  |
| .005  | 0.13  |
| .010  | 0.25  |
| .029  | 0.74  |
| .030  | 0.76  |
| .040  | 1.02  |
| .046  | 1.17  |
| .050  | 1.27  |
| .058  | 1.47  |
| .0625 | 1.59  |
| .090  | 2.29  |
| .13   | 3.30  |
| .24   | 6.10  |
| .258  | 6.55  |
| .34   | 8.64  |
| .380  | 9.65  |
| .890  | 22.61 |
| 1.054 | 26.77 |

-1 SHOWN



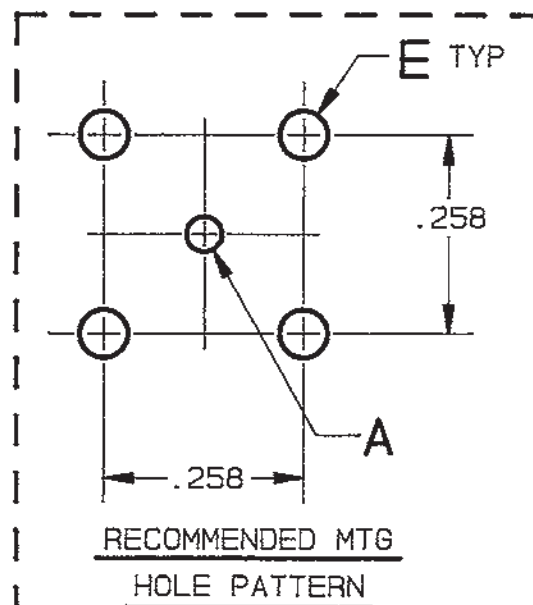
4. EXAMPLE OF COMPLETE MODEL NO:



3. FINISH: TFS-1A (NICKEL)

2. 50 & 75 OHM RIGHT ANGLE CIRCUIT BOARD MOUNTING BNC RECEPTACLE

1. ALL DIM ARE IN INCHES



| QTY   | DESCRIPTION |  | PART NUMBER  | ITEM               |
|---|-------------|--|--------------|--------------------|
| TOL UNLESS SPECIFIED                                  |             | <b>TROMPETER</b><br>RF connectivity<br><small>a cinch connectivity solutions brand</small> | U/CBJR20/A   |                    |
| .XX ± .01<br>.XXX ± .005<br>.XXXX ± .0010<br>ANGLES ± |             |  |              |                    |
| DWN   | DKC         | 9-13-91  | MATERIAL     | CODE IDENT         |
| CHK   | B.M.        | 9-24-91  | 14949        | DRAWING NO. 1-0044 |
| ENGR  | Dal         | 10-2-91  | SCALE 4/1    | DATE 2-1-83        |
| NEXT ASSY   | APPR        | 10-2-91  | SHEET 1 OF 2 |                    |