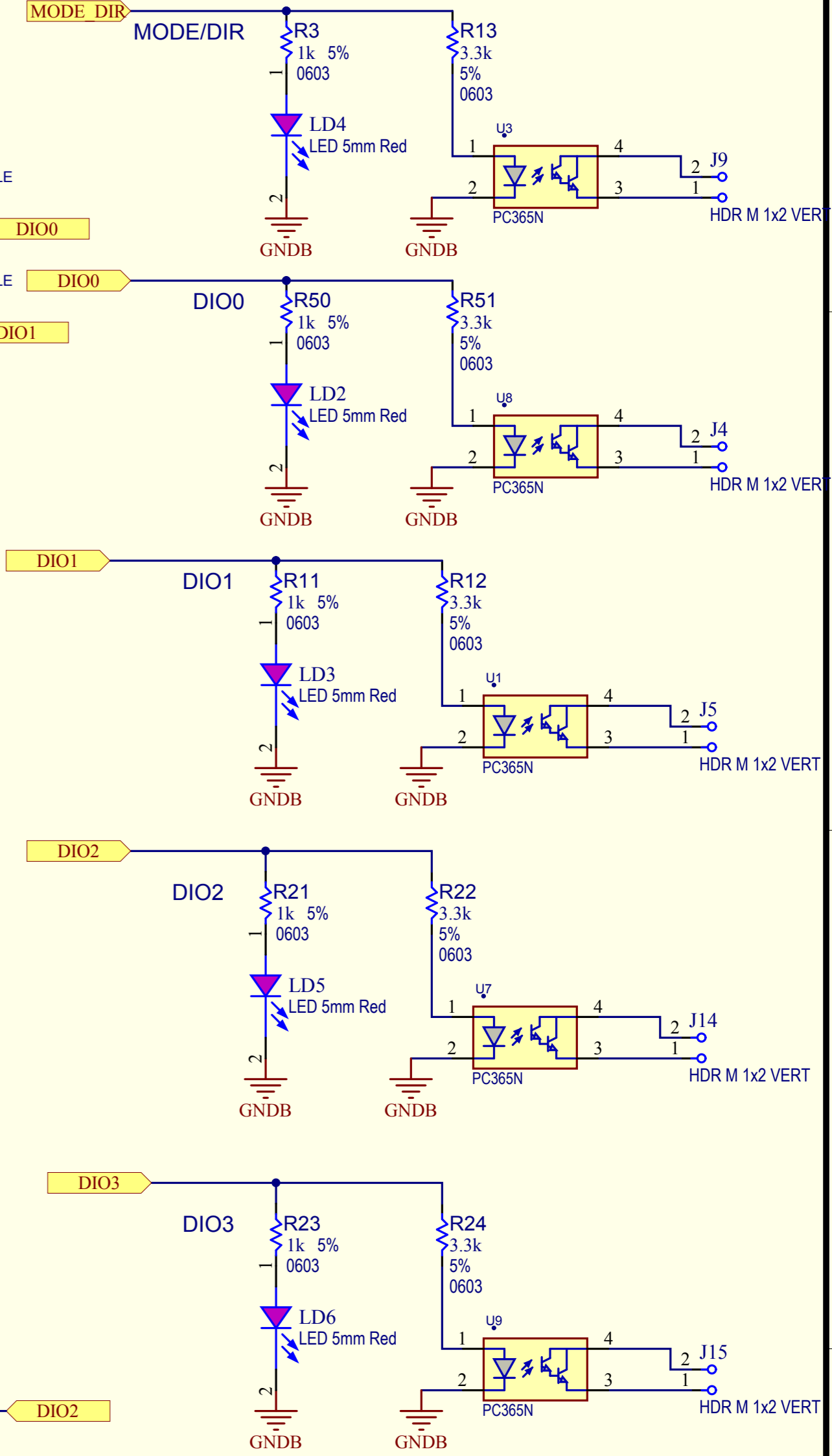
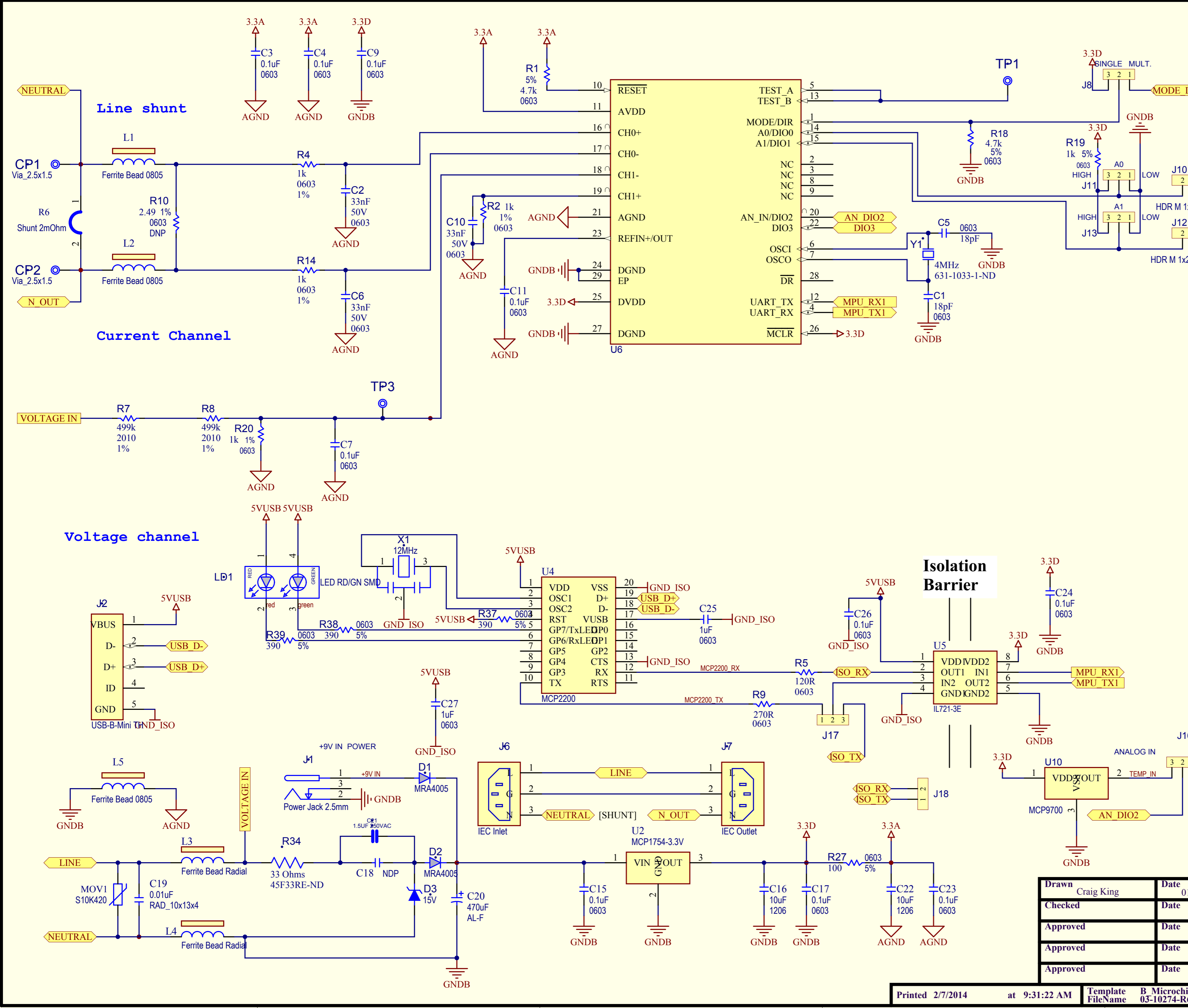


Revision History				
Rev.	ECO	Description	Date	Approved
		updated values for R7, R8 to 499 1%	02/03/2014	C. King



MICROCHIP

Title		MCP39F501 Power Monitor	
Size	Doc. Number	Rev.	
B	03-10274	6.0	

Drawn	Craig King	Date	01/23/2014
Checked		Date	
Approved		Date	
Approved		Date	
Approved		Date	