

嵌合図 (参考)
MATED DRAWING(REFERENCE)

注記 NOTES

1. 使用材料 MATERIAL

ハウジング : 液晶ポリマー (LCP) UL94V-0 (黒)
HOUSING: LIQUID CRYSTAL POLYMER UL94V-0 (COLOR:BLACK)

ターミナル : 銅合金
TERMINAL : COPPER ALLOY

金具 : 銅合金
FITTING NAIL : COPPER ALLOY

2. メッキ仕様 PLATING

ターミナル TERMINAL

金メッキ
GOLD

下地メッキ: ニッケルメッキ
UNDER PLATING : NICKEL

※コンタクト部とテール部はニッケルメッキによって分断されている金メッキです。
DIVIDE INTO PARTS THE GOLD PLATING OF THE CONTACT AND THE TAIL PART BY THE NICKEL PLATING.

金具 FITTING NAIL

錫メッキ
Tin PLATING

下地メッキ: ニッケルメッキ
UNDER PLATING : NICKEL

△ (全極数 / 2) = 偶数の場合に適用。
APPLY FOR (CIRCUIT/2)=EVEN.

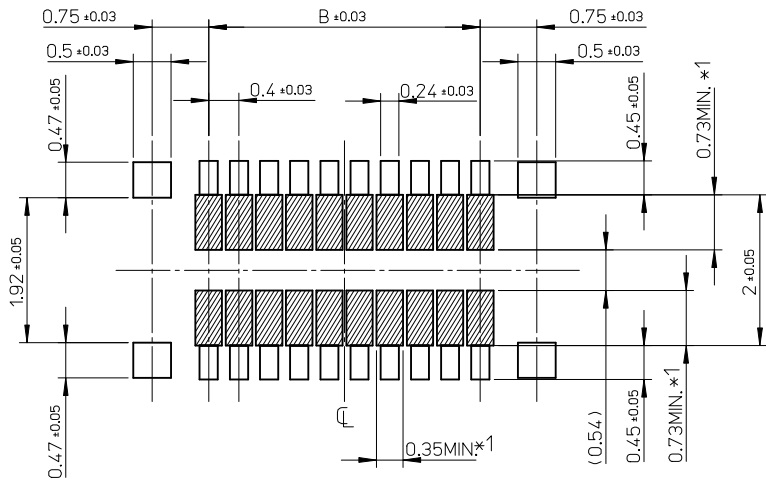
4. 嵌合相手: 503308 シリーズ
MATE WITH : 503308 SERIES.

5. テール及び金具の平坦度は、0.1以下
TAIL AND FITTING NAIL COPLANARITY TO BE 0.1MAXIMUM.

6. ELV and RoHS COMPLIANT.

11.6	14.2	503304-6070	60
9.6	12.2	503304-5070	50
8.4	11.0	503304-4470	44
7.6	10.2	503304-4070	40
5.6	8.2	503304-3070	30
4.8	7.4	503304-2670	26
3.6	6.2	503304-2070	20
2.8	5.4	503304-1670	16
2.0	4.6	503304-1270	12
B	A	EMBOSSED PACKAGE	
		極数	CIRCUITS
		オーダー番号 ORDER No.	
CONNECTOR SERIES No. : 503304-**79			

REVISED EC NO: J2013-0386 DRWN:GMATSUNO 2012/09/28 CHKD:TASAKAWA 2012/09/28 APPR:MSASAO 2012/09/28	GENERAL TOLERANCES (UNLESS SPECIFIED)		DIMENSION STYLE MM ONLY	SCALE 15:1	DESIGN UNITS METRIC	THIRD ANGLE PROJECTION
	10 UNDER	±0.2	DRAWN BY TTANIGUCHI	DATE 2009/06/24	TITLE 0.4 B-TO-B CONN. HGT=0.7 W=2.6 REC. ASS'Y CHECKER TYPE	
	10 OVER 30 UNDER	±0.25	CHECKED BY THIRATA	DATE 2009/06/24		
	30 OVER	±0.3	APPROVED BY MSASAO	DATE 2009/06/24		
	ANGULAR ±1 °	DRAFT WHERE APPLICABLE MUST REMAIN WITHIN DIMENSIONS	MATERIAL NO. SEE CHART	DOCUMENT NO. SD-503304-003	SHEET NO. 1 OF 2	
			SIZE A3	THIS DRAWING CONTAINS INFORMATION THAT IS PROPRIETARY TO MOLEX INCORPORATED AND SHOULD NOT BE USED WITHOUT WRITTEN PERMISSION		



RECOMMENDED P.W. BOARD
PATTERN LAYOUT

- *1 パターン引き回し、および半田禁止エリア
(当該箇所においては、これと接する回路以外の配線を禁止する。
また、接する回路を配線する場合はレジストを施し、この部分に
半田は無きこととする。)
- *1 PROHIBITED AREA OF PATTERN WIRING AND SOLDER
(FOR EACH AREA, THE WIRING THAT TOUCHES ON THE SOLDER
CAN BE ATTACHED, THEN COVERED WITH A FILM TO KEEP SOLDER OUT.)

REVISED EC NO: J2013-0386 DRWN:GMATSUMO 2012/09/28 CH'KD:TASAKAWA 2012/09/28 APPR:MSASAO 2012/09/28	REV DESCRIPTION C	QUALITY SYMBOLS	GENERAL TOLERANCES (UNLESS SPECIFIED)	DIMENSION STYLE MM ONLY	SCALE 15:1	DESIGN UNITS METRIC	THIRD ANGLE PROJECTION	
		□ = 0 CRITICAL ⊠ = 0 MAJOR ▽ = 0 ZERO DEFECT ▽ = 0 S.P.C.						
			DRAFT WHERE APPLICABLE MUST REMAIN WITHIN DIMENSIONS	THIS DRAWING CONTAINS INFORMATION THAT IS PROPRIETARY TO MOLEX INCORPORATED AND SHOULD NOT BE USED WITHOUT WRITTEN PERMISSION				

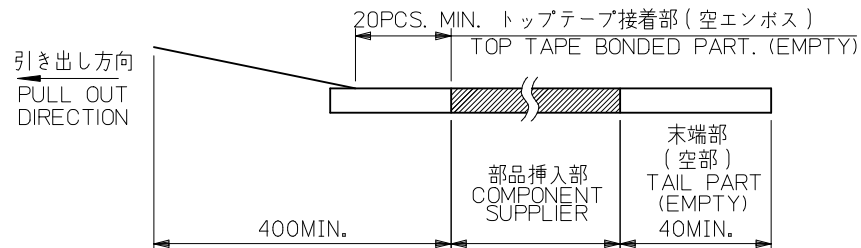
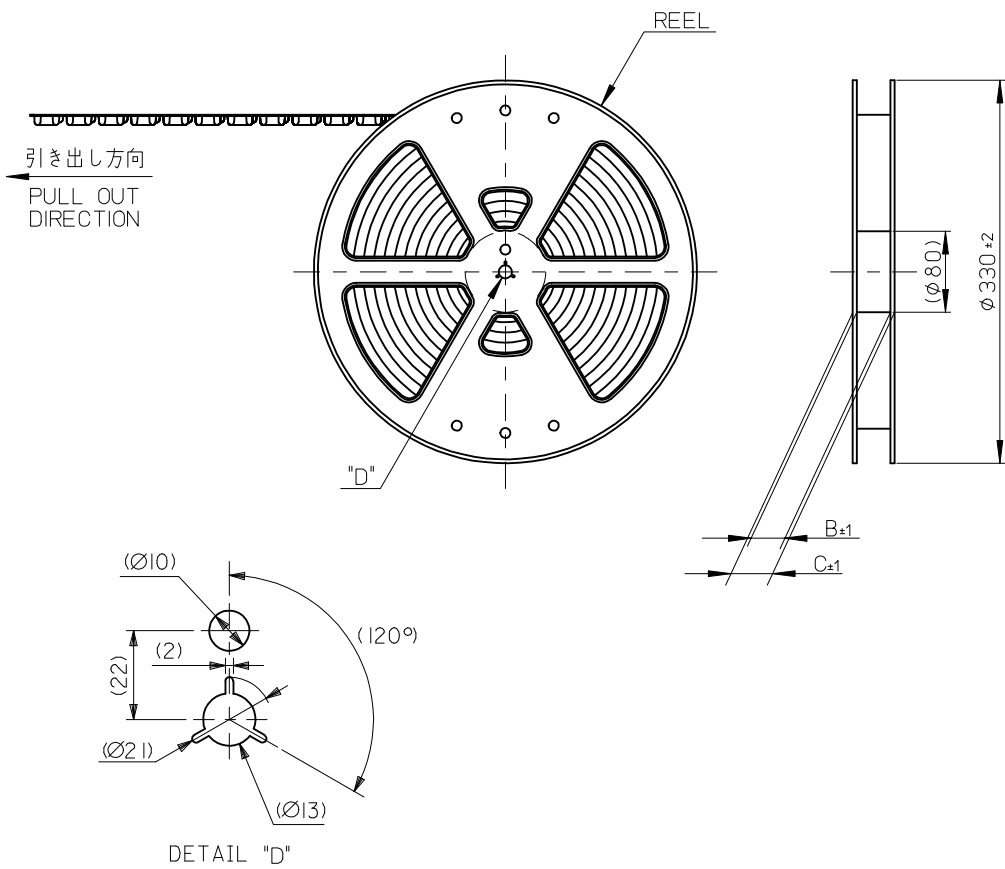
TITLE
0.4 B-TO-B CONN. HGT=0.7
W=2.6 REC. ASS'Y
CHECKER TYPE

molex

MATERIAL NO. SEE CHART DOCUMENT NO. SD-503304-003 SHEET NO. 2 OF 2

注記 NOTES

- 製品詳細寸法については製品単体図面を参照下さい。
RE DETAILED DIMENSION, SEE PRODUCT DRAWING.
- 梱包数量: 3000 個/リール
NUMBER OF CONNECTORS: 3000PCS/REEL
- リードテープ長さ LEAD TAPE LENGTH

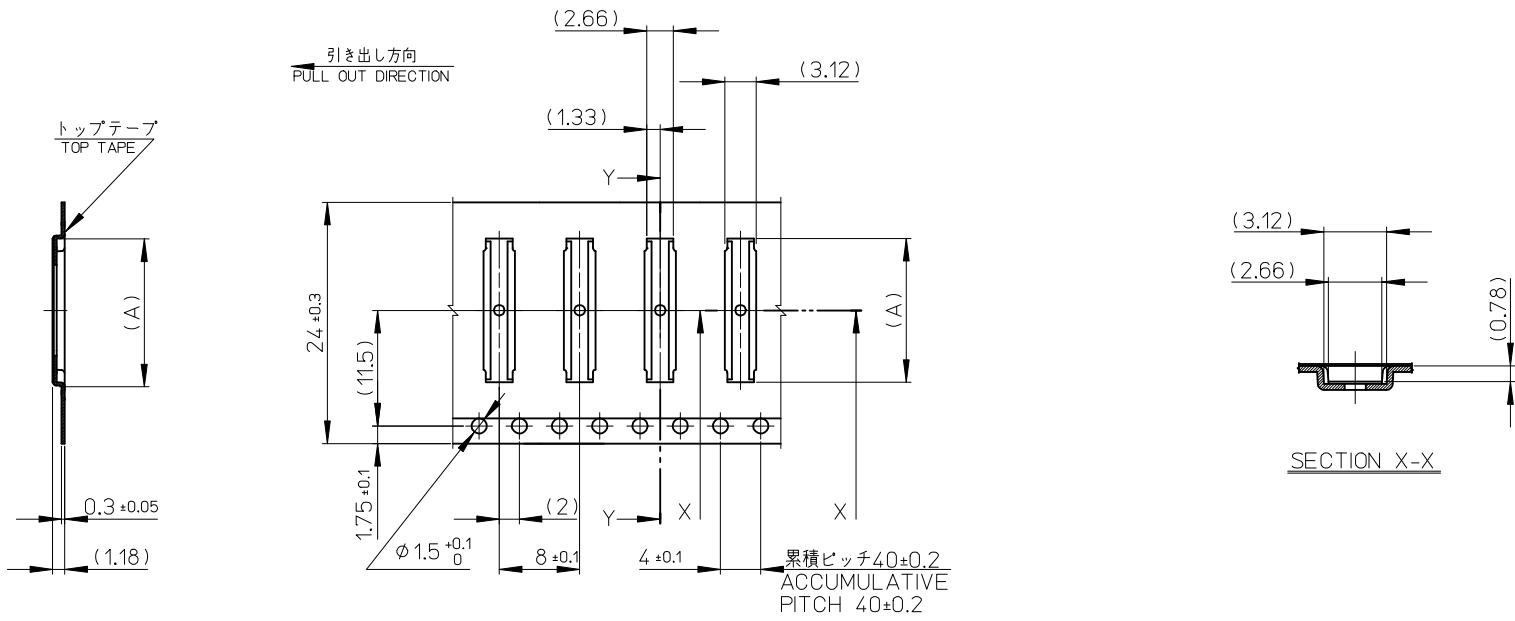


- トップテープの剥離強度: 0.1N~1.3N(10gf~130gf)
(剥離方向は下図参照)
尚、本規格値は出荷時に適用。(但し、輸送時に剥離が発生しないこと。)
PEELING OFF FORCE OF TOP TAPE: 0.1N~1.3N(10gf~130gf)
(PEELING DIRECTION AS SHOWN IN FOLLOWING FIG.)
THIS REQUIREMENT SHOULD BE APPLIED AT SHIPMENT.
PEEL OFF SHOULD NOT BE ALLOWED, DURING TRANSPORTION.



- 材料 MATERIAL
キャリアテープ (CARRIER TAPE): ポリスチレン (POLYSTYRENE)
トップテープ (TOP TAPE): PET, OTHER
リール (REEL): ポリスチレン (PS) <リサイクル材を含む>
POLYSTYRENE (PS) <RECYCLE MATERIAL CONTAINED>
- ELV 及び RoHS適合品
ELV AND RoHS COMPLIANT

REVISED EC NO: J2013-0386 DRWG: MATSUNO 2012/09/28 CHKD: TASAKAWA 2012/09/28 APPR: MSASAO 2012/09/28	DESCRIPTION REV	GENERAL TOLERANCES (UNLESS SPECIFIED)		DIMENSION STYLE MM ONLY		SCALE	DESIGN UNITS	MODEL NO.	503304-**70	
		10 UNDER	±0.2	DRAWN BY TTANIGUCHI		DATE 2009/06/24	TITLE	THIRD ANGLE PROJECTION		
		10 OVER 30 UNDER	±0.25	CHECKED BY THIRATA		DATE 2009/06/24	0.4 B-TO-B CONN. HGT=0.7 REC ASSY EMBSTP PKG CHECKER TYPE			
		30 OVER	±0.3	APPROVED BY MSASAO		DATE 2009/06/24	molex			
ANGULAR ±1 °		DRAFT WHERE APPLICABLE MUST REMAIN WITHIN DIMENSIONS		MATERIAL NO. SEE CHART		DOCUMENT NO. SD-503304-004		SHEET NO. 1 OF 3		
THIS DRAWING CONTAINS INFORMATION THAT IS PROPRIETARY TO MOLEX INCORPORATED AND SHOULD NOT BE USED WITHOUT WRITTEN PERMISSION										



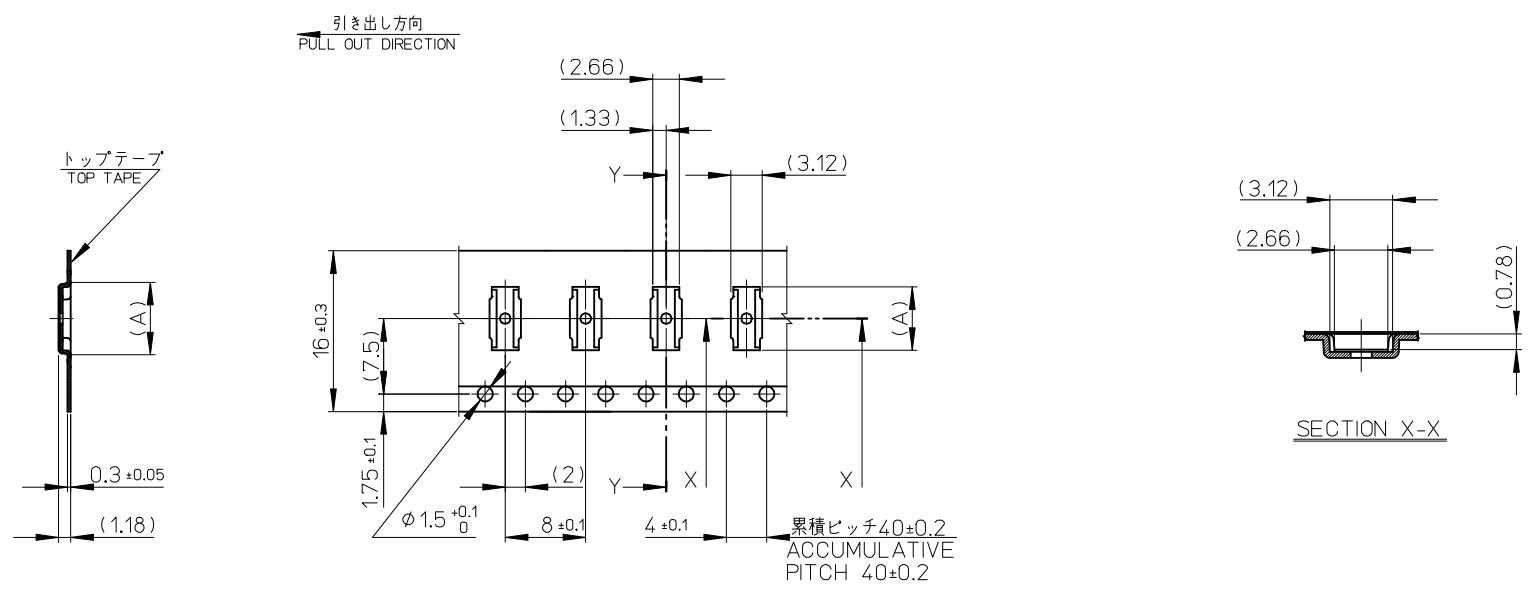
SECTION Y-Y

SECTION X-X

24mm 幅キャリアテープ
24mm WIDTH CARRIER TAPE

24	29.4	25.4	14.32	503304-6070	60
			12.32	503304-5070	50
			11.12	503304-4470	44
			10.32	503304-4070	40
			8.32	503304-3070	30
キャリアテープ幅 CARRIER TAPE WIDTH			C	B	(A)
			MATERIAL No.		CKT.
			MODEL No.		503304-***70

REVISED EC NO: J2013-0386 DRWNG: GMATSUNO 2012/09/28 CHKD: TASAKAWA 2012/09/28 APPR: MSASAO 2012/09/28	DESCRIPTION	GENERAL TOLERANCES (UNLESS SPECIFIED)		DIMENSION STYLE MM ONLY		SCALE	DESIGN UNITS	THIRD ANGLE PROJECTION					
		10 UNDER	±0.2	DRAWN BY	DATE	TITLE	0.4 B-TO-B CONN.HGT=0.7 REC ASSY EMBSTPPKG CHECKERTYPE molex						
		10 OVER 30 UNDER	±0.25	GMATSUNO	2010/10/08								
		30 OVER	±0.3	CHECKED BY	DATE								
		ANGULAR	±1 °	RTAKEUCHI	2010/10/08								
DRAFT WHERE APPLICABLE MUST REMAIN WITHIN DIMENSIONS		APPROVED BY	DATE										
C	REV			MSASAO	2010/10/12	MATERIAL NO.		DOCUMENT NO.	SHEET NO.				
				SEE CHART		SD-503304-004		2 OF 3					
				THIS DRAWING CONTAINS INFORMATION THAT IS PROPRIETARY TO MOLEX INCORPORATED AND SHOULD NOT BE USED WITHOUT WRITTEN PERMISSION									



SECTION Y-Y

SECTION X-X

16mm 幅キャリアテープ
16mm WIDTH CARRIER TAPE

16	21.4	17.4	7.52	503304-2670	26
			6.32	503304-2070	20
			5.52	503304-1670	16
			4.72	503304-1270	12
キャリアテープ幅 CARRIER TAPE WIDTH			C	B	(A)
			MATERIAL No.		CKT.
			MODEL No.		503304-**10

REVISED EC NO: J2013-0386 DRWNG: GMATSUNO 2012/09/28 CHKD: TASAKAWA 2012/09/28 APPR: MSASAO 2012/09/28	DESCRIPTION	GENERAL TOLERANCES (UNLESS SPECIFIED)	DIMENSION STYLE MM ONLY	SCALE	DESIGN UNITS METRIC	THIRD ANGLE PROJECTION	
	REV	10 UNDER ±0.2	DRAWN BY GMATSUNO	DATE 2010/10/08	TITLE 0.4 B-TO-B CONN. HGT=0.7 REC ASSY EMBSTP PKG CHECKER TYPE		
		10 OVER 30 UNDER ±0.25	CHECKED BY RTAKEUCHI	DATE 2010/10/08	molex		
		30 OVER ±0.3	APPROVED BY MSASAO	DATE 2010/10/12			
		ANGULAR ±1 °	MATERIAL NO.	SEE CHART	DOCUMENT NO. SD-503304-004	SHEET NO. 3 OF 3	
	DRAFT WHERE APPLICABLE MUST REMAIN WITHIN DIMENSIONS	SIZE A3	THIS DRAWING CONTAINS INFORMATION THAT IS PROPRIETARY TO MOLEX INCORPORATED AND SHOULD NOT BE USED WITHOUT WRITTEN PERMISSION				