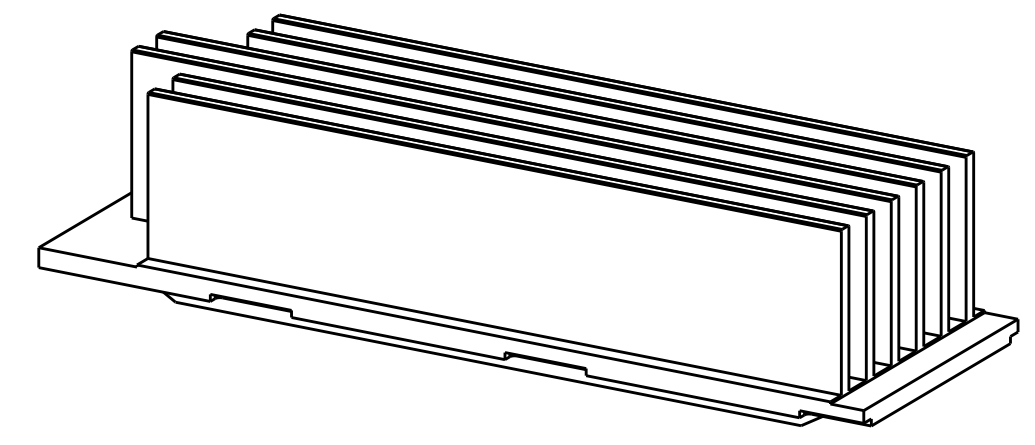
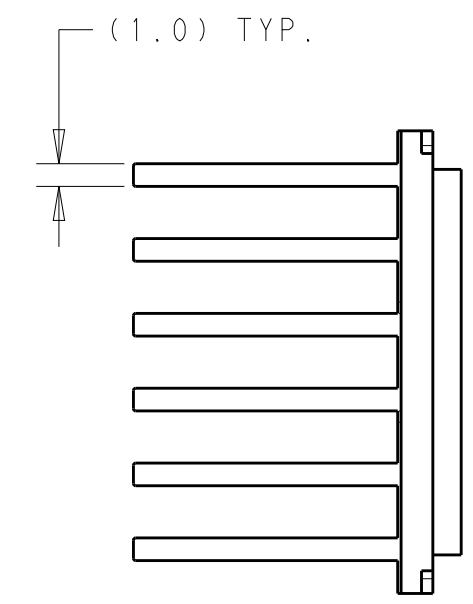
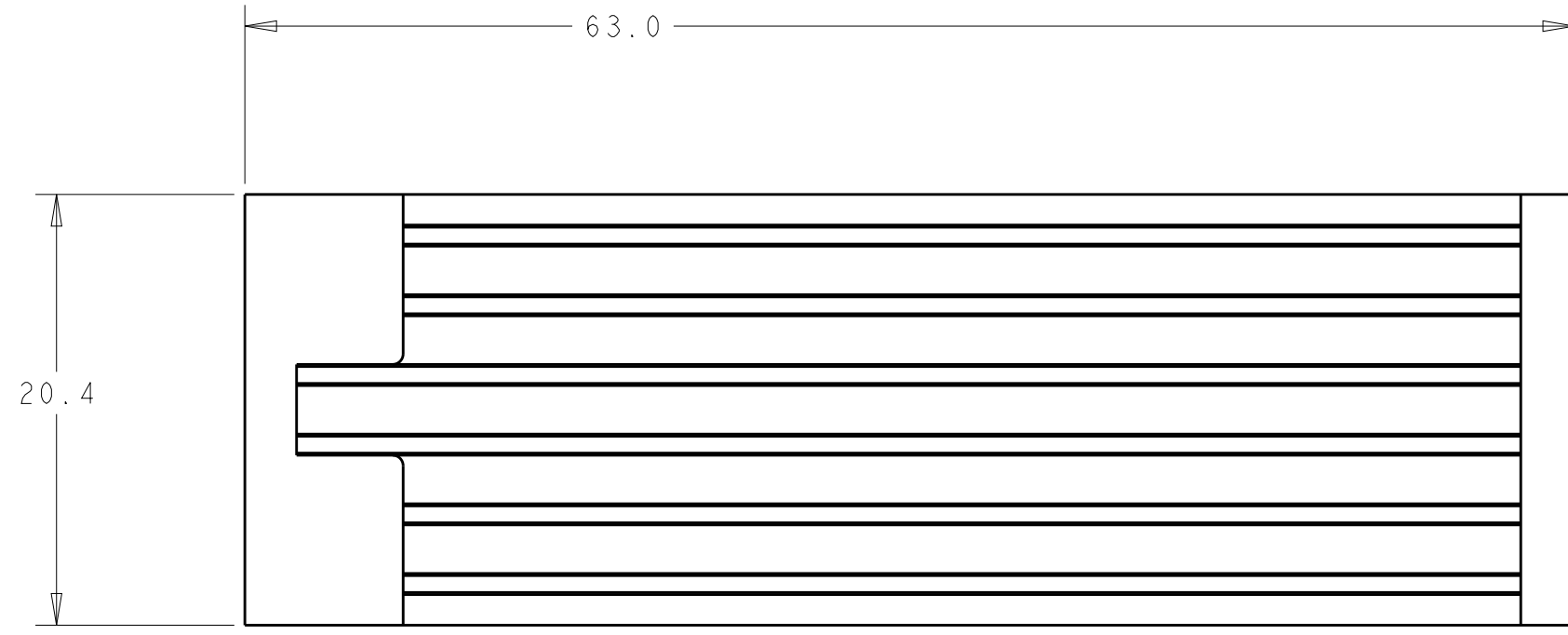
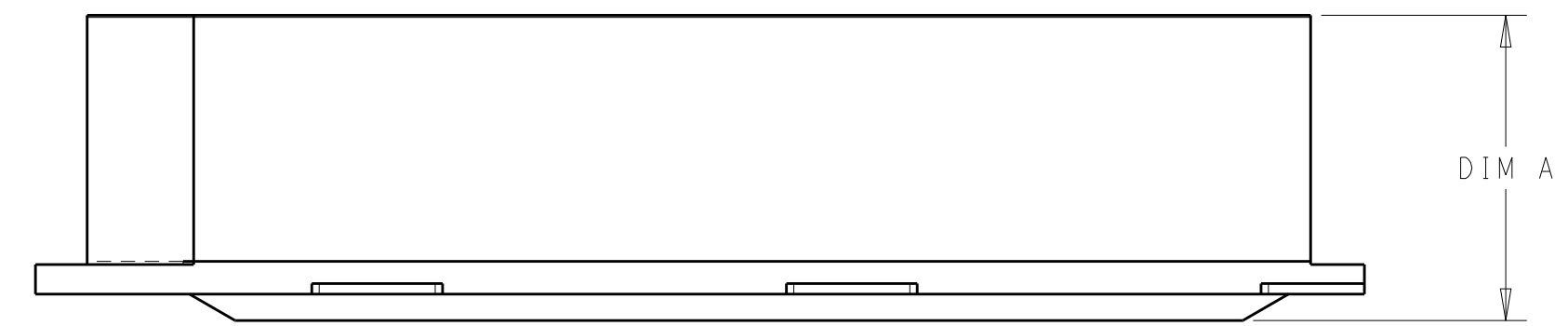


THIS DRAWING IS UNPUBLISHED. RELEASED FOR PUBLICATION 20
 © COPYRIGHT 20 BY - ALL RIGHTS RESERVED.

REVISIONS				
P	LTR	DESCRIPTION	DATE	APVD
1		INITIAL RELEASE	11OCT2016	AD SH



2288231-3 AS SHOWN
SCALE 2:1



THIS PRINT IS
PRELIMINARY
 UNQUALIFIED PRODUCT
 CONTACT PRODUCT ENGINEERING
 BEFORE USING THIS PRINT

- 1 MATERIAL: ALUMINUM ALLOY;
- 2 FINISH: ELECTROLESS NICKEL;
- 3 FINISH: ANODIZED BLACK;
- 4.0.2mm MAX BURR PERMISSIBLE
- 5.VARIATION IN PLATING COLOR IS NORMAL AND ALLOWED

16.25	3	2288231-6
14.45	3	2288231-3
DIM. A	FINISH	PART NUMBER

THIS DRAWING IS A CONTROLLED DOCUMENT.		DWN ANDY XIE 11OCT2016	STE TE Connectivity	
DIMENSIONS: mm		CHK SEAN HAN 11OCT2016		
TOLERANCES UNLESS OTHERWISE SPECIFIED:		APVD SEAN HAN 11OCT2016	NAME HEAT SINK, FRONT TO REAR AIRFLOW CFP4	
0 PLC ±	1 PLC ±0.3	PRODUCT SPEC -	SIZE A2	RESTRICTED TO -
2 PLC ±0.25	3 PLC ±0.15	APPLICATION SPEC -	CAGE CODE -	DRAWING NO. C-2288231
4 PLC ±	ANGLES ±	WEIGHT -	SCALE 1:1	SHEET 1 OF 1
MATERIAL -	FINISH -	CUSTOMER DRAWING	REV 1	