

Elbow cable gland

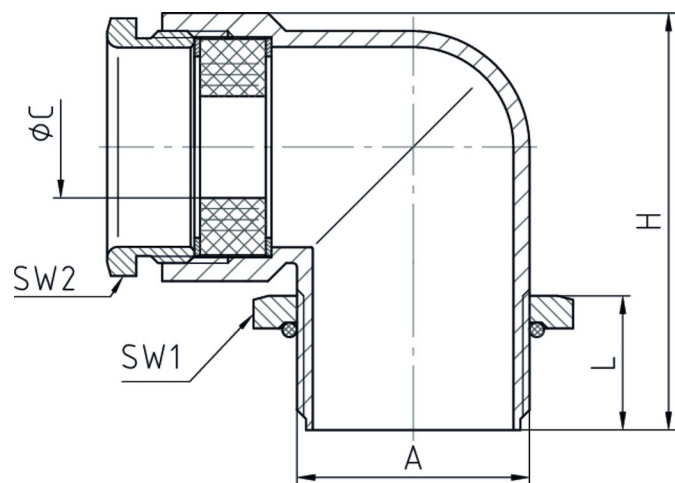
21.7xxM

Pressure screw	Brass CuZn39Pb3, nickel-plated
Washers	Steel, zinc-plated
Sealing ring	SBR/NBR, multiple perforation
Elbow	Zinc die-casting, nickel-plated
Locknut	Brass CuZn39Pb3, nickel-plated
O-ring	Nitrile rubber NBR
Connecting thread	metric, as per EN 60423



Properties

	<ul style="list-style-type: none"> for application in installation areas with small amounts of space due to construction dimensions locknut allows adjustment in any position
Temperature range	-20 °C +100 °C
Protection grade	IP55



Features

Connecting thread standard length

A	ØC	L	SW1	SW2	H	VPE	Part No.
M16x1,5	5 - 9	16	22	16	38	100	21.716M
M20x1,5	7 - 12	16	26	20	42	50	21.720M
M25x1,5	8,5 - 15	16,5	34	25	48,5	50	21.725M
M32x1,5	14 - 20	18,5	40	32	57,5	25	21.732M

* The maximum clamping range is dependent on type of cable and assembling.