

4

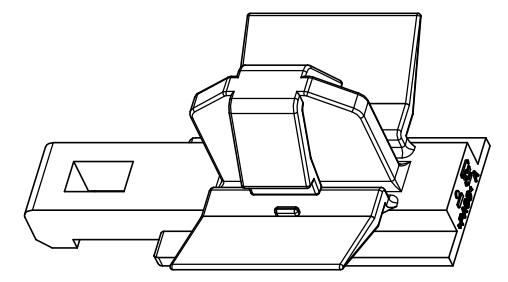
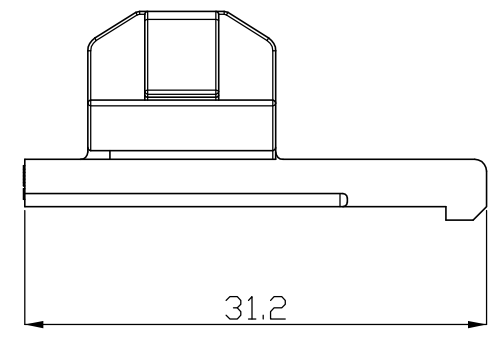
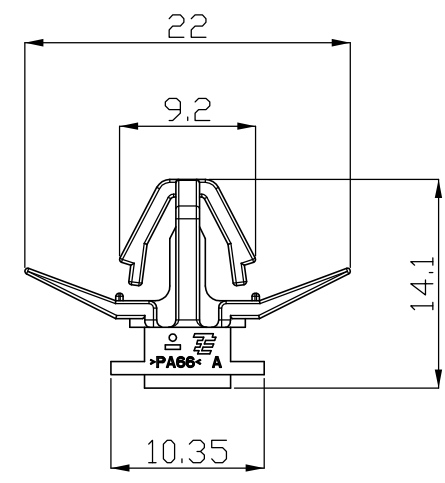
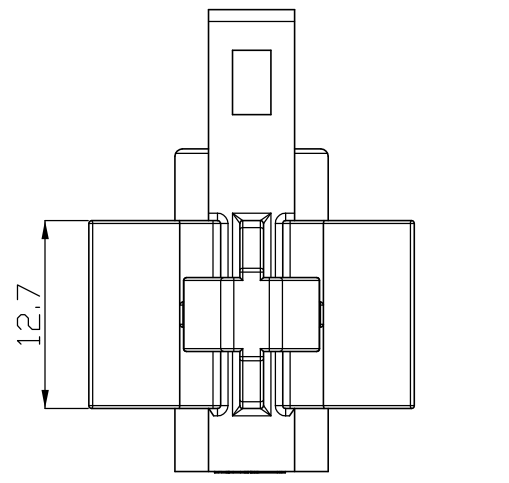
3

2

1

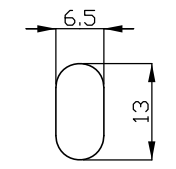
THIS DRAWING IS UNPUBLISHED. RELEASED FOR PUBLICATION 20
 © COPYRIGHT 20 BY TYCO ELECTRONICS CORPORATION. ALL RIGHTS RESERVED.

LOC	DIST	REVISIONS			
P	LTR	DESCRIPTION	DATE	DWN	APVD
DS	-	RELEASE	23 JUN'10	SJ	JK



ISOMETRIC VIEW

PANEL HOLE



PANEL THICKNESS : 1.5mm

NOTE :
 1. GENERAL TOLERANCE : ±0.3, ± 0.3°
 2. THE MATING PLUG HSG P/N : 1452484

2005039-2	PA66	BLACK
P/N	MATERIAL	COLOR

<small>THIS DRAWING IS A CONTROLLED DOCUMENT FOR TYCO ELECTRONICS CORPORATION IT IS SUBJECT TO CHANGE AND THE CONTROLLING ENGINEERING ORGANIZATION SHOULD BE CONTACTED FOR THE LATEST REVISION.</small>		DWN	-	Tyco Electronics Kyungsan, Korea	
DIMENSIONS: mm		CHK	-	NAME	
		APVD	-	-	
TOLERANCES UNLESS OTHERWISE SPECIFIED: 0 PLC ±- 1 PLC ±0.5 2 PLC ±0.13 3 PLC ±0.013 4 PLC ±0.0001 ANGLES ±		PRODUCT SPEC	-	SLOT CLIP FOR FAKRA 2P HSG	
MATERIAL	SEE TABLE	FINISH	SEE TABLE	APPLICATION SPEC	-
		WEIGHT	-	SIZE	A3
		CUSTOMER DRAWING		CAGE CODE	00779
				DRAWING NO	C=2005039
				RESTRICTED TO	-
				SCALE	1:1
				SHEET	1 OF 1
				REV	A