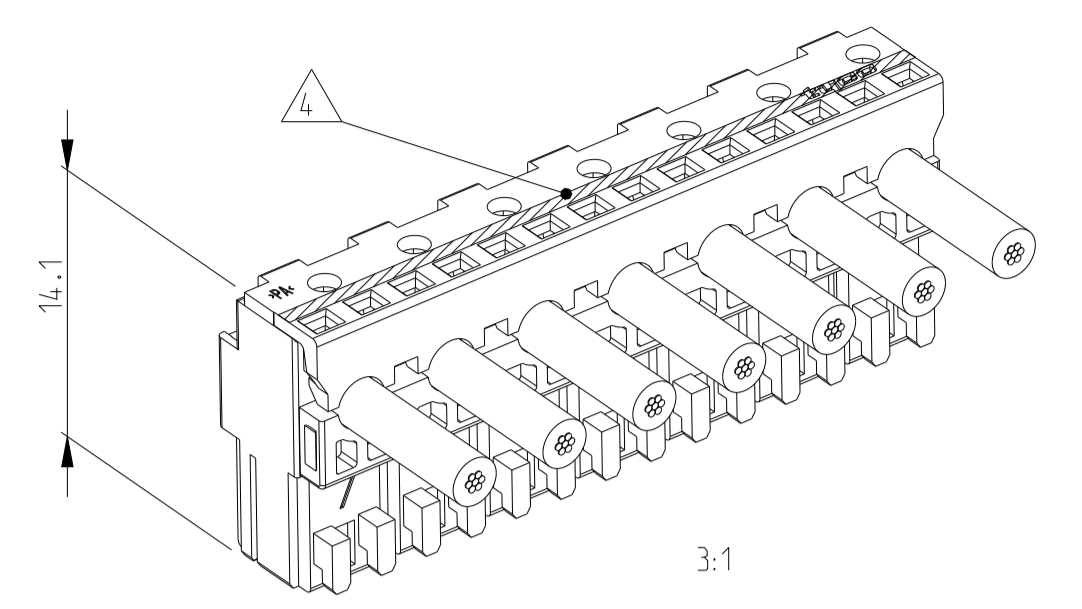


LOC	DIST	REVISIONS			
		REV	DATE	BY	APPV
A1	-	B24	ECR-20-100619	05NOV2020	W W FL
		B25	ECR-21-108728	16AUG2021	SM FL
		B26	ECR-21-112826	14SEP2021	SM FL



- 27 SLOT FOR SIDE KEYING NARROW ON LAST CAVITY
- 26 PRELIMINARY PART NOT RELEASED FOR PRODUCTION
- 25 TE LOGO
- 24 COLOUR MARKING IN THIS AREA. COLOUR SEE TABLE.
Farbmarkierung in diesem Bereich. Farbe siehe Tabelle.
- 23 X...CAVITY LOADED WITH CONTACT
O...CAVITY WITHOUT CONTACT
X...Kammer mit Kontakt bestückt
O...Kammer ohne Kontakt
- 22 INCLUSIVE COPPER CLADDING, SINGLE OR DOUBLE SIDED
Inklusive Kupferkaschierung, ein oder doppelseitig
- 21 PCB PREFERABLY CHAMFERED
Leiterplatte vorzugsweise angefast
- 20 SLOT FOR ADDITIONAL KEYING RIB BETWEEN CAVITY NO.
Schlitz fuer zusätzliche Kodierrippe zwischen Kammer Nr.
- 19 SLOT FOR SIDE KEYING NARROW AND REDUCED, ON CAVITY NO.1
Schlitz fuer Seitenkodierung, eng und reduziert, bei Kammer Nr. 1
- 18 SLOT FOR SIDE KEYING, ON LAST CAVITY
Schlitz fuer Seitenkodierung, bei letzter Kammer
- 17 SLOT FOR SIDE KEYING, ON CAVITY NO. 1
Schlitz fuer Seitenkodierung, bei Kammer Nr. 1
- 16 IEC 60695-2-11 / IEC 60335-1 GLOW WIRE TEST 750 °C WITHOUT FLAME
IEC 60695-2-11 / IEC 60335-1 Gluehdrahttest 750 °C ohne Flamme
- 15 -
- 14 SIDE KEYING, SMALL AND HALF, ON LAST CAVITY
Seitenkodierung, schmal und halb, bei letzter Kammer
- 13 SIDE KEYING, SMALL AND HALF, ON CAVITY NO. 1
Seitenkodierung, schmal und halb, bei Kammer Nr. 1
- 12 -
- 11 -
- 10 SIDE KEYING, SMALL, ON LAST CAVITY
- 9 -
- 8 LOCKING HOOK BETWEEN CAVITY NO. ...
Rasthaken zwischen Kammernummer ...
- 7 ADDITIONAL KEYING RIB BETWEEN CAVITY NO.
Zusätzliche Kodierrippe zwischen Kammer Nr.
- 6 SIDE KEYING, ON LAST CAVITY
Seitenkodierung, bei letzter Kammer
- 5 SIDE KEYING, ON CAVITY NO. 1
Seitenkodierung, bei Kammer Nr. 1
- 4 COLOUR MARKING ON TOP OF HOUSING OPTIONAL ON TERMINATION MACHINE
Farbmarkierung auf Gehäuseoberseite optional an Verarbeitungsmaschine
- 3 MATING PART: PCB ACCORDING SHEET 2 OF 2
Passender Gegenstecker: Leiterplatten siehe Blatt 2 von 2
- 2 WIRE RANGE: 0.35-0.75 mm² ACCORDING TO APPLICATION SPEC 114-18996
Drahtgrößenbereich: 0.35 - 0.75 mm²; siehe Verarbeitungsspezifikation Nr.114-18996.
- 1 KEYING RIBS: CUTTING WITH TERMINATION MACHINE POSSIBLE
Kodierrippe: Schneiden auf der Verarbeitungsmaschine moeglich

POS.	PN Betell-Nr.	DESCRIPTION Beschreibung	MATERIAL	COLOUR/FINISH Farbe/Oberflaeche
2	SEE TABLE	CONTACT	CuNiSi	TINNED/verzinkt
1	siehe Tabelle	HOUSING	PA6 GF Δ 6	NATURE/natur

THIS DRAWING IS A CONTROLLED DOCUMENT.

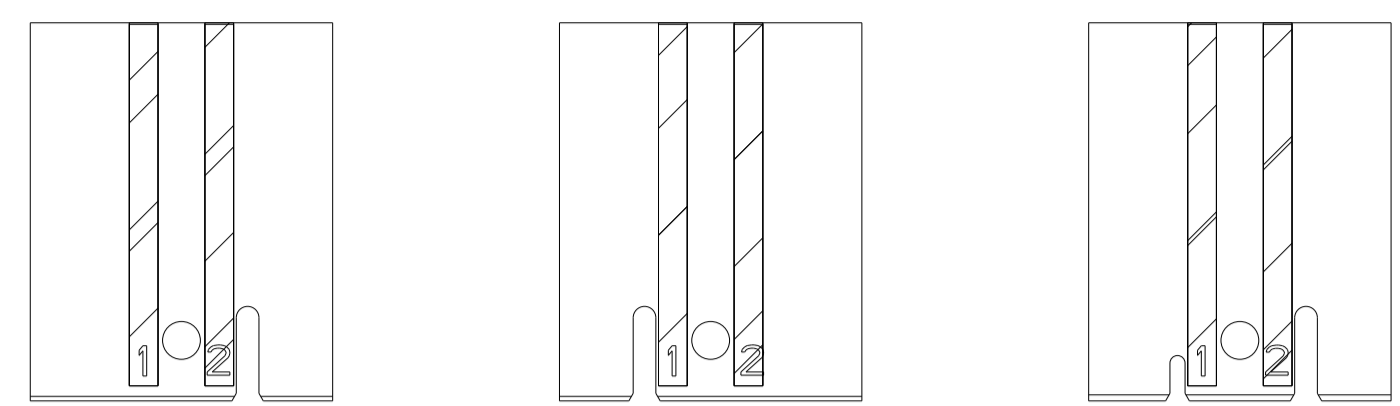
DIMENSIONS: mm	TOLERANCES UNLESS OTHERWISE SPECIFIED: 0 PLC ± 0.2 1 PLC ± 0.2 2 PLC ± 0.2 3 PLC ± 0.2 4 PLC ± 0.2 ANGLES $\pm 0.2^\circ$ FINISH SEE TABLE	OWN H. Atzmann CHK B. Schnaubelt APPV T. Klenner	01NOV2005 01NOV2005 01NOV2005	NAME AMP DUOPLUG POWER FEMALE CONNECTOR 2-9 POSITION (WITH PCB LOCKING)	RESTRICTED TO
MATERIAL SEE TABLE	WEIGHT -	CAGE CODE A1	DRAWING NO. 00779	SCALE 5:1	SHEET 1 OF 4
CUSTOMER DRAWING			SCALE 5:1	SHEET 1 OF 4	REV B26

TE Connectivity

PCB LAYOUT Leiterplattenanschluss

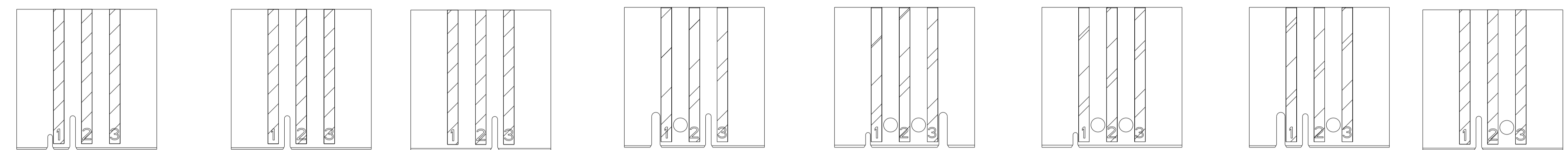
LOC		DIST		REVISIONS			
P	LTN	DESCRIPTION	DATE	DNW	APVD		
-	-	SEE SHEET 1	-	-	-		

2 POSITION
2 polig



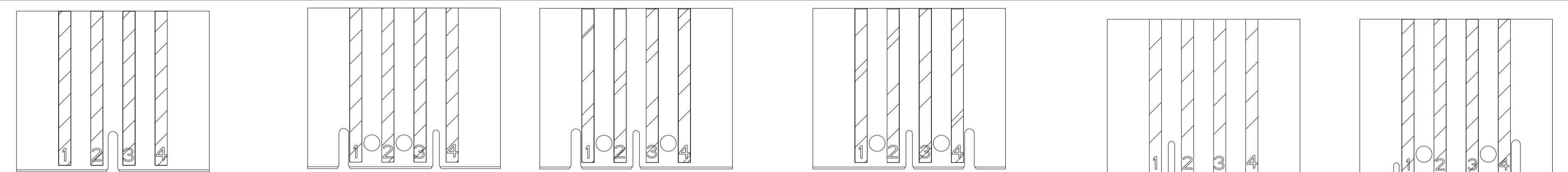
LAYOUT FOR CONNECTOR NO. 0-1740533-2 LAYOUT FOR CONNECTOR NO. 1-1740533-2 LAYOUT FOR CONNECTOR NO. 2-1740533-2

3 POSITION
3 polig



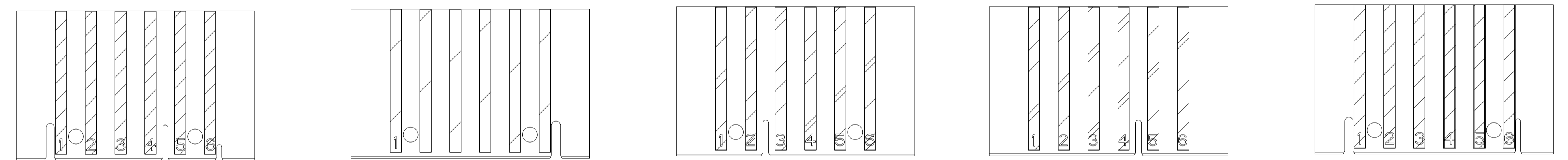
LAYOUT FOR CONNECTOR NO. 9-1740533-3 LAYOUT FOR CONNECTOR NO. 7-1740533-3 LAYOUT FOR CONNECTOR NO. 6-1740533-3 LAYOUT FOR CONNECTOR NO. 0-1740533-3 LAYOUT FOR CONNECTOR NO. 1-1740533-3 LAYOUT FOR CONNECTOR NO. 2-1740533-3 LAYOUT FOR CONNECTOR NO. 3-1740533-3 (W ITHOUT PAD 3) LAYOUT FOR CONNECTOR NO. 4-1740533-3 (W ITHOUT PAD 1) LAYOUT FOR CONNECTOR NO. 5-1740533-3

4 POSITION
4 polig



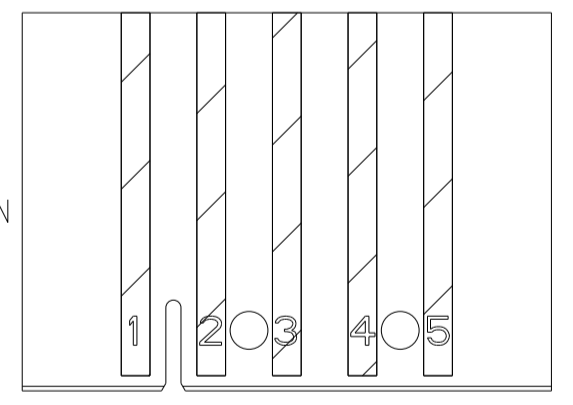
LAYOUT FOR CONNECTOR NO. 5-1740533-4 LAYOUT FOR CONNECTOR NO. 3-1740533-4 LAYOUT FOR CONNECTOR NO. 0-1740533-4 (W ITHOUT PAD 2) LAYOUT FOR CONNECTOR NO. 1-1740533-4 LAYOUT FOR CONNECTOR NO. 4-1740533-4 LAYOUT FOR CONNECTOR NO. 6-1740533-4

6 POSITION
6 polig



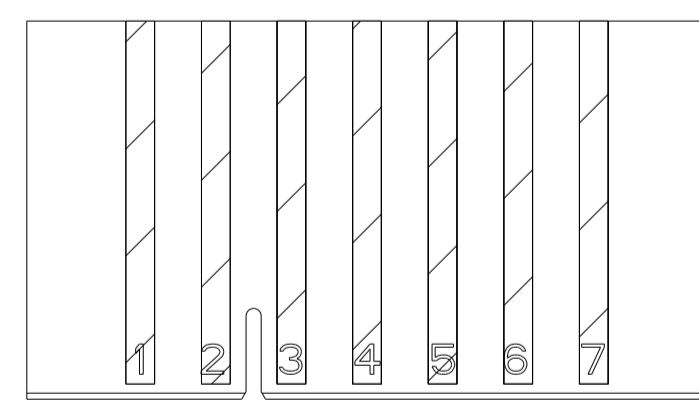
LAYOUT FOR CONNECTOR NO. 7-1740533-6 LAYOUT FOR CONNECTOR NO. 5-1740533-6 LAYOUT FOR CONNECTOR NO. 0-1740533-6 (W ITHOUT PAD 2/5/6) LAYOUT FOR CONNECTOR NO. 1-1740533-6 LAYOUT FOR CONNECTOR NO. 2-1740533-6 LAYOUT FOR CONNECTOR NO. 4-1740533-6

5 POSITION
5 polig

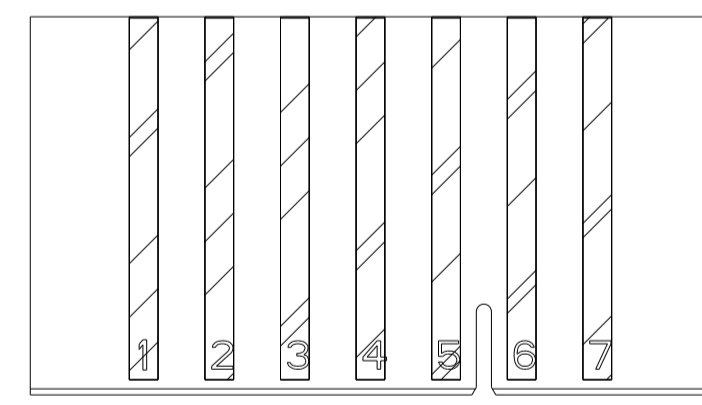


LAYOUT FOR CONNECTOR NO. 0-1740533-5

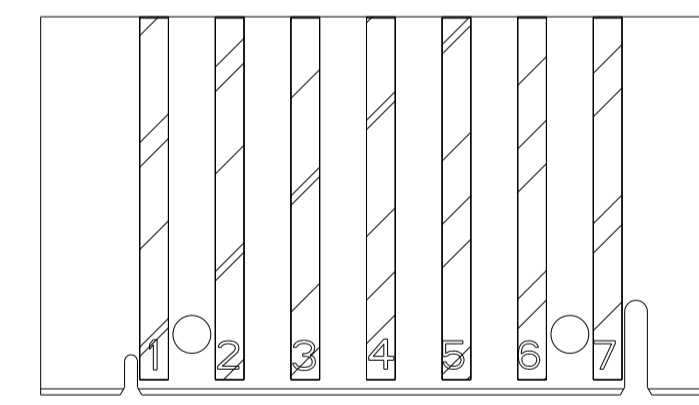
7 POSITION
7 polig



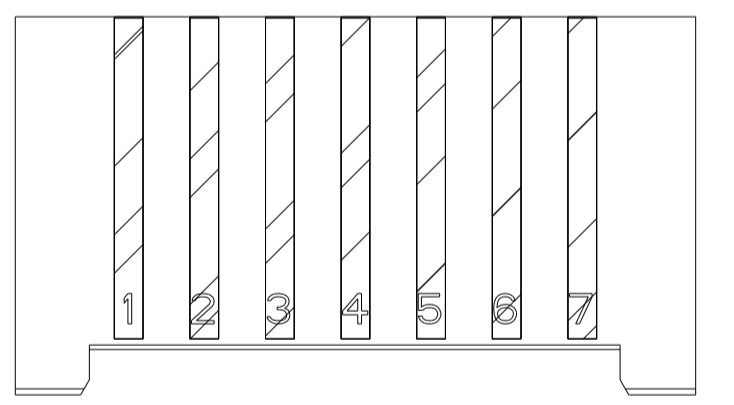
LAYOUT FOR CONNECTOR NO. 4-1740533-7



LAYOUT FOR CONNECTOR NO. 0-1740533-7

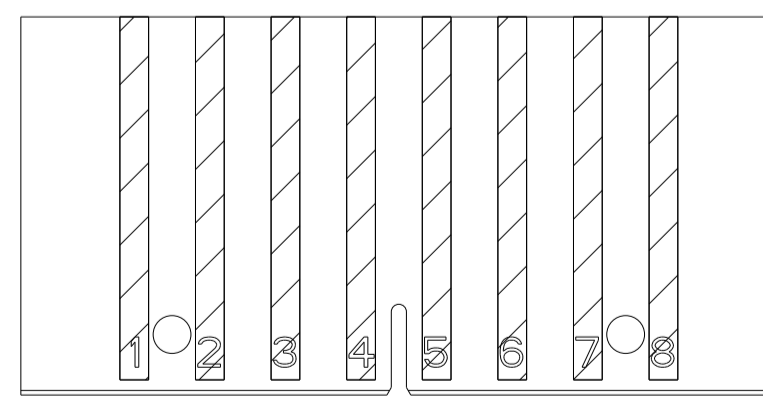


LAYOUT FOR CONNECTOR NO. 1-1740533-7

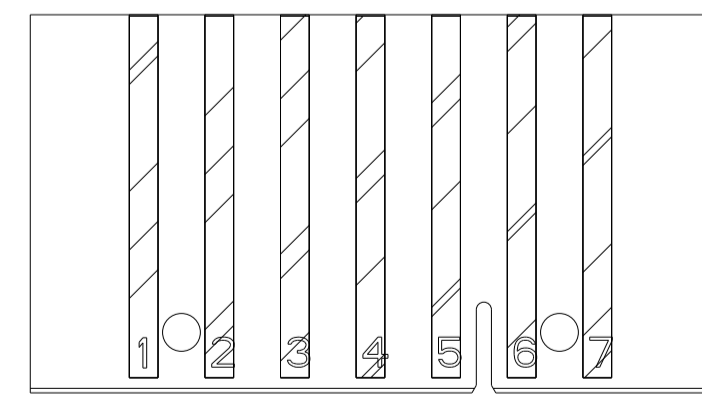


LAYOUT FOR CONNECTOR NO. 2-1740533-7

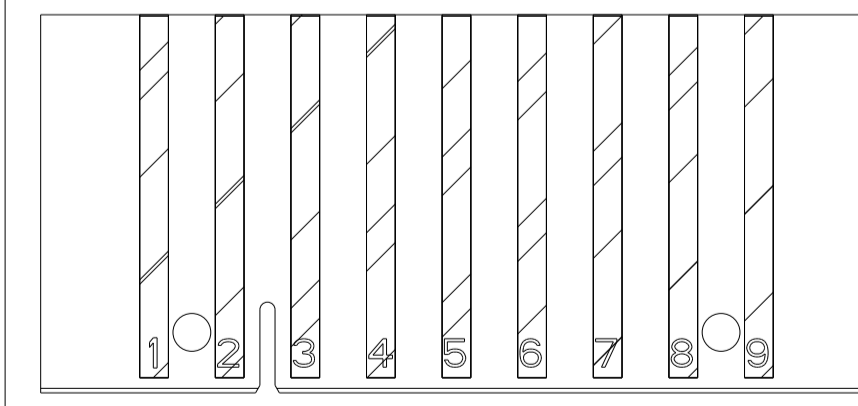
8 POSITION



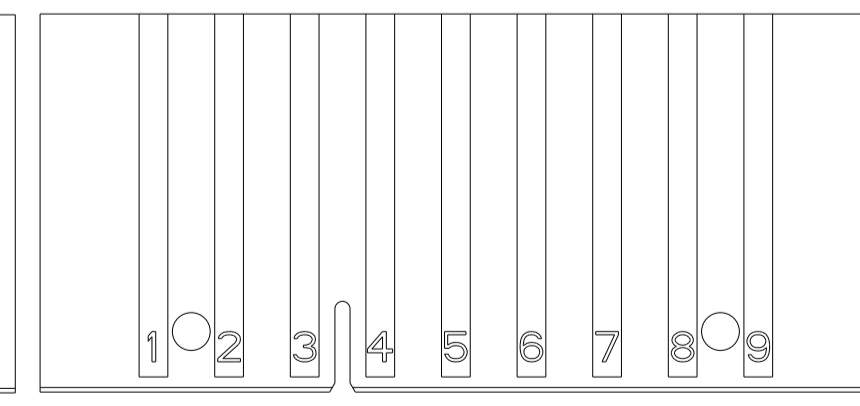
LAYOUT FOR CONNECTOR NO. 0-1740533-8



LAYOUT FOR CONNECTOR NO. 3-1740533-7



LAYOUT FOR CONNECTOR NO. 0-1740533-9

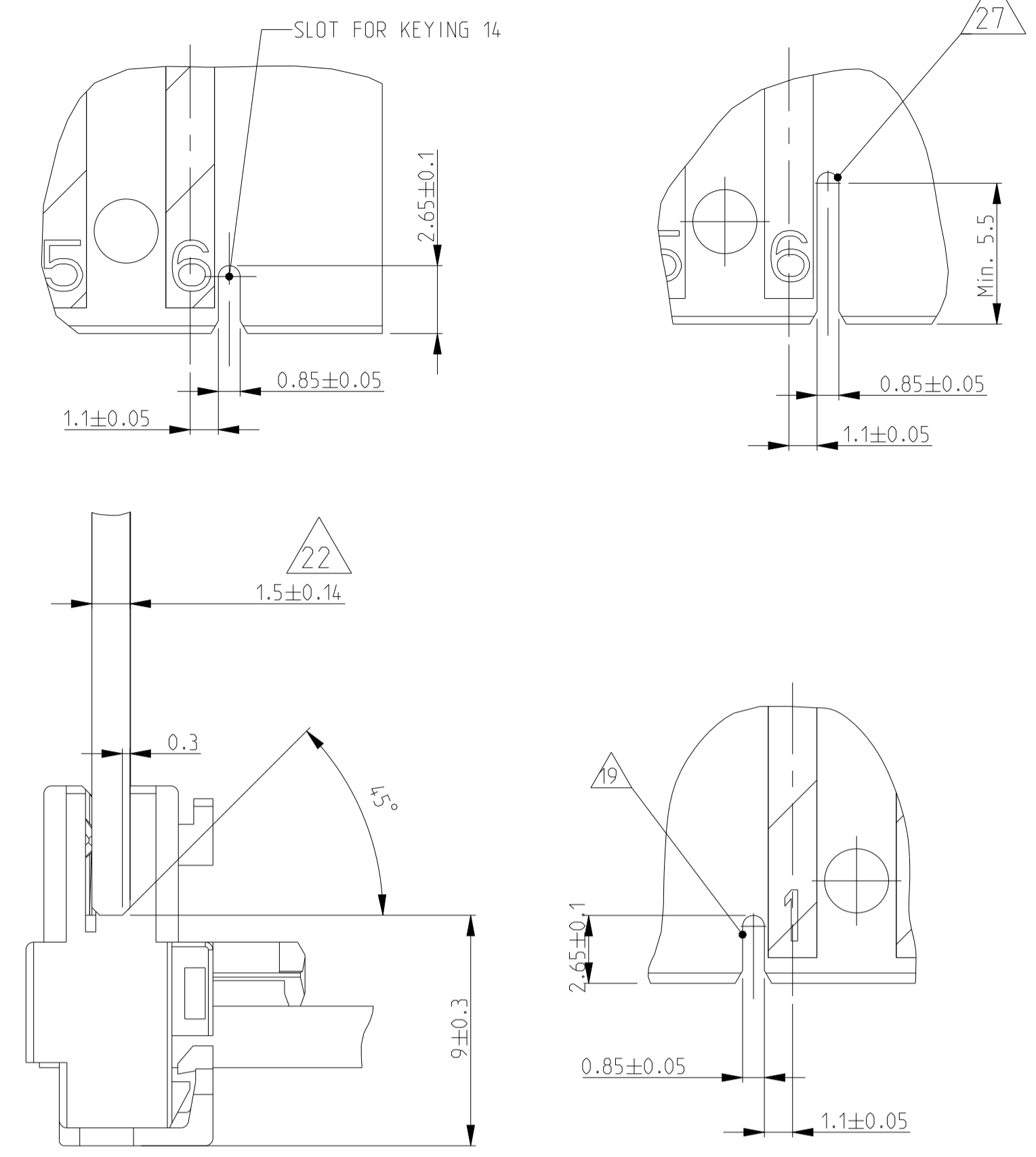
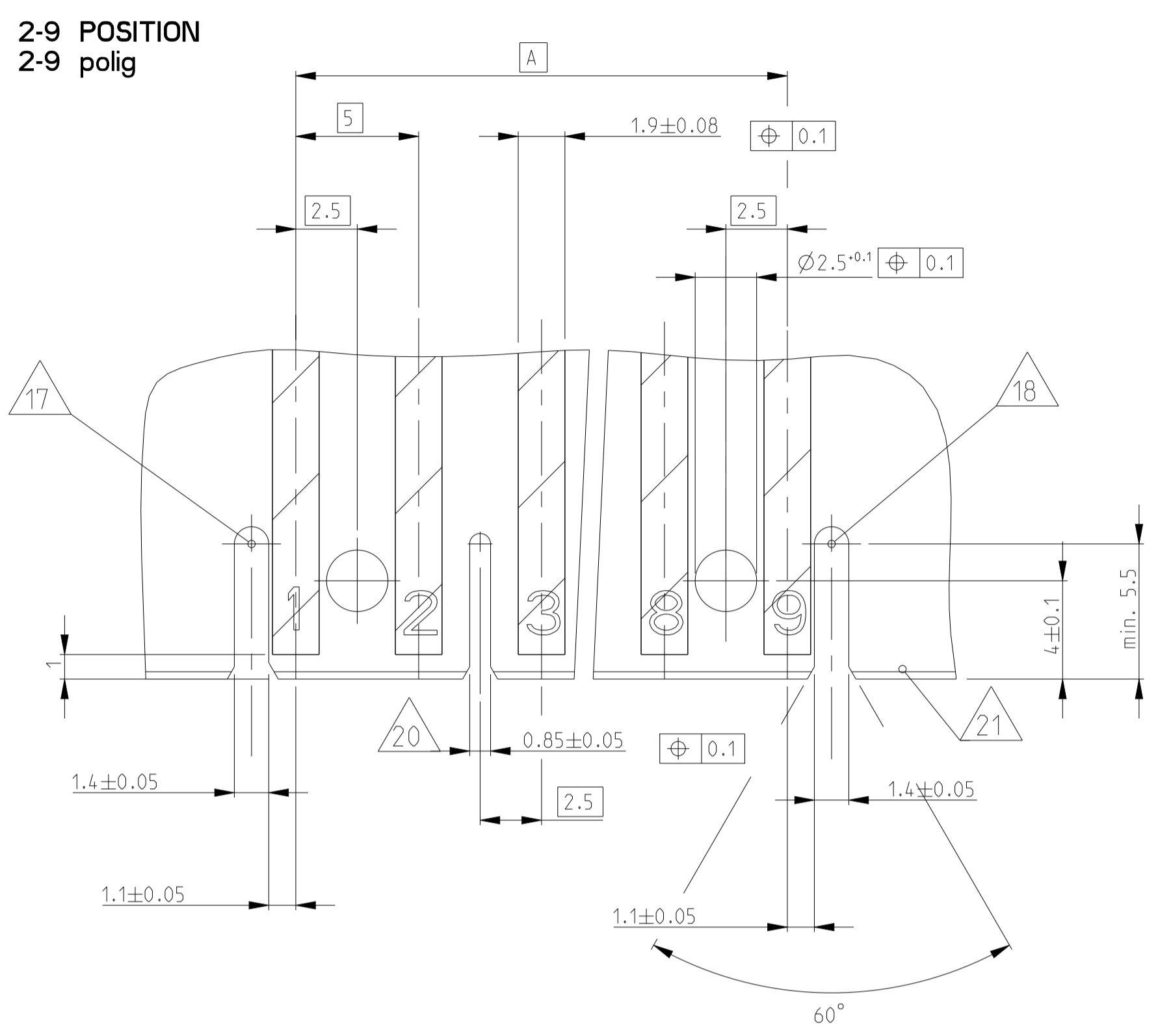


LAYOUT FOR CONNECTOR NO. 2-1740533-9

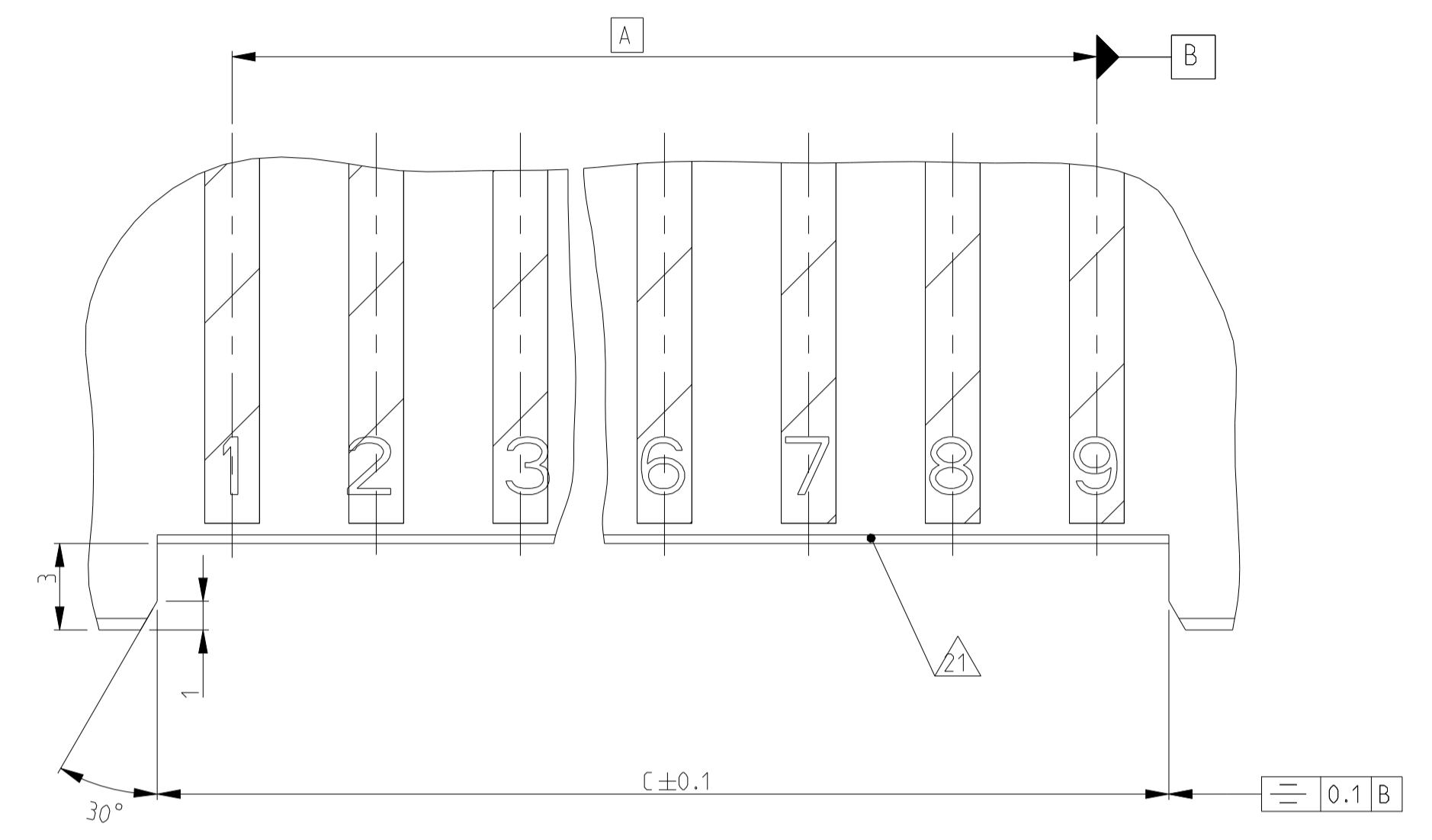
9 POSITION
9 polig

THIS DRAWING IS A CONTROLLED DOCUMENT.		DNW H. Atzmann 01NOV2005	TE Connectivity NAME AMP DUOPLUG POWER FEMALE CONNECTOR 2-9 POSITION (WITH PEB LOCKING)
DIMENSIONS: mm		CHK B. Schnaubelt 01NOV2005	
TOLERANCES UNLESS OTHERWISE SPECIFIED:		APVD T. Klenner 01NOV2005	SIZE A1
0 PLC ±0.2	1 PLC ±0.2	PRODUCT SPEC	CAGE CODE DRAWING NO
2 PLC ±0.2	3 PLC ±0.2	APPLICATION SPEC	108-18780
4 PLC ±	ANGLES ±°	FINISH	114-18996
MATERIAL SEE TABLE	FINISH SEE TABLE	WEIGHT	114-18996
CUSTOMER DRAWING		SCALE	5:1
		SHEET	2 OF 4
		REV	B26

PCB LAYOUT IN GENERAL
Leiterplattenanschluss allgemein



**PCB LAYOUT FOR VERSIONS WITHOUT KEYING RIBS/
 LOCKING HOOKS (E. G. PN 2-1740533-7)**
**Leiterplattenanschluss fuer Version ohne Kodierrippen/
 Rasthaken (z. B. Nr. 2-1740533-7)**



LOC	DIST	REVISIONS					
A1	-	P	LTH	DESCRIPTION	DATE	DWN	APVD
		-		SEE SHEET 1	-	-	-

THIS DRAWING IS A CONTROLLED DOCUMENT.

DIMENSIONS: mm	TOLERANCES UNLESS OTHERWISE SPECIFIED: 0 PLC ±0.2 1 PLC ±0.2 2 PLC ±0.2 3 PLC ±0.2 4 PLC ±0.2 ANGLES ±° ±2° FINISH SEE TABLE	DWN: SUDHAKAR 28OCT2013 CHK: SUDHAKAR 28OCT2013 APVD: RAJENDRA 28OCT2013	NAME: AMP DUOPLUG POWER FEMALE CONNECTOR 2-9 POSITION (WITH PEB LOCKING)
MATERIAL: SEE TABLE	SEE TABLE	114-18996	RESTRICTED TO: CUSTOMER DRAWING

SCALE: 5:1 SHEET 3 OF 4 REV: B26

LOC		DIST		REVISIONS				
A1	-	P	LTN	DESCRIPTION	DATE	DWN	APVD	
		-		SEE SHEET 1	-	-	-	

GWEPT 750°C NO FLAME & UL94-V2 VERSIONS																					
COLOUR	9	8	7	6	5	4	3	2	1	POS.	DIM A	DIM B	DIM C	KEYING	KEYING	KEYING	KEYING	KEYING	KEYING	LOCKING HOOK	PN Bestell-Nr.
	X	X	X	X	X	X	X	X	X	9	40	44.9	-	-	-	-	-	-	-	3/4	2-1740533-9
	0	X	X	X	X	X	X	X	X	9	40	44.9	-	-	-	-	-	-	-	2/3	1-1740533-9
	X	X	X	X	X	X	X	X	X	9	40	44.9	-	-	-	-	-	-	-	2/3	0-1740533-9
GREEN		X	X	X	X	X	X	X	X	8	35	39.9	-	X	-	-	-	-	-	1/2 + 7/8	1-1740533-8
GREEN		X	X	X	X	X	X	X	X	8	35	39.9	-	-	-	-	-	-	-	4/5	0-1740533-8
-			X	X	X	X	X	X	X	7	30	34.9	-	-	-	-	-	-	-	2/3	4-1740533-7
-			X	X	X	X	X	X	X	7	30	34.9	-	-	-	-	-	-	-	5/6	3-1740533-7
-			X	X	X	X	X	X	X	7	30	34.9	35.1	-	-	-	-	-	-	-	2-1740533-7
-			X	X	X	X	X	X	X	7	30	34.9	-	X	-	-	-	-	-	1/2 + 6/7	1-1740533-7
-			X	X	X	X	X	X	X	7	30	34.9	-	-	-	-	-	-	-	5/6	0-1740533-7
			X	X	X	X	X	X	X	6	25	29.9	-	X	-	-	-	-	-	4/5	7-1740533-6
			X	X	X	X	X	X	X	6	25	29.9	-	-	X	-	-	-	-	1/2 + 5/6	6-1740533-6
			X	X	X	X	X	X	X	6	25	29.9	-	-	-	-	-	-	-	1/2 + 5/6	5-1740533-6
			X	X	X	X	X	X	X	6	25	29.9	-	-	X	-	-	-	-	1/2 + 5/6	4-1740533-6
BLACK			X	X	X	X	0	X	X	6	25	29.9	-	-	-	-	-	-	-	2/3	3-1740533-6
-			X	X	X	X	X	X	X	6	25	29.9	-	-	-	-	-	-	-	4/5	2-1740533-6
BLACK			X	X	X	X	X	X	X	6	25	29.9	-	-	-	-	-	-	-	2/3	1-1740533-6
BLACK			0	0	X	X	0	X	X	6	25	29.9	-	-	-	-	-	-	-	2/3	0-1740533-6
			X	X	X	X	X	X	X	5	20	24.95	-	X	-	-	-	-	-	4/5	3-1740533-5
			X	X	X	X	X	X	X	5	20	24.95	-	-	-	-	-	-	-	2/3	1-1740533-5
			X	X	X	X	X	X	X	5	20	24.95	-	-	-	-	-	-	-	1/2	0-1740533-5
			X	X	X	X	X	X	X	4	15	19.9	-	X	-	-	-	-	-	3/4	8-1740533-4
			X	X	X	X	X	X	X	4	15	19.9	-	-	-	-	-	-	-	1/2	7-1740533-4
			X	X	X	X	X	X	X	4	15	19.9	-	X	-	-	-	-	-	1/2 + 3/4	6-1740533-4
			X	X	X	X	X	X	X	4	15	19.9	-	-	-	-	-	-	-	2/3	5-1740533-4
			X	X	X	X	X	X	X	4	15	19.9	-	-	-	-	-	-	-	1/2	4-1740533-4
BROWN			X	X	X	X	X	X	X	4	15	19.9	-	-	-	-	-	-	-	3/4	3-1740533-4
BROWN			X	X	X	X	X	X	X	4	15	19.9	-	-	-	-	-	-	-	2/3	2-1740533-4
BLUE			X	X	X	X	X	X	X	4	15	19.9	-	-	-	-	-	-	-	2/3	1-1740533-4
BROWN			X	X	0	X	X	X	X	4	15	19.9	-	-	-	-	-	-	-	2/3	0-1740533-4
			X	X	X	X	X	X	X	3	10	14.9	-	X	-	-	-	-	-	1/2	9-1740533-3
BLUE			X	X	X	X	X	X	X	3	10	14.9	-	X	-	-	-	-	-	1/2 + 2/3	8-1740533-3
			X	X	X	X	X	X	X	3	10	14.9	-	-	-	-	-	-	-	1/2	7-1740533-3
			X	X	X	X	X	X	X	3	10	14.9	-	-	-	-	-	-	-	2/3	6-1740533-3
			X	X	X	X	X	X	X	3	10	14.9	-	-	-	-	-	-	-	1/2	5-1740533-3
BLACK			X	X	X	0	X	X	X	3	10	14.9	-	-	-	-	-	-	-	2/3	4-1740533-3
BLACK			0	X	X	X	X	X	X	3	10	14.9	-	-	-	-	-	-	-	1/2	3-1740533-3
-			X	X	X	X	X	X	X	3	10	14.9	-	X	-	-	-	-	-	1/2 + 2/3	2-1740533-3
-			X	X	X	X	X	X	X	3	10	14.9	-	X	-	-	-	-	-	1/2 + 2/3	1-1740533-3
BLACK			X	X	X	X	X	X	X	3	10	14.9	-	-	-	-	-	-	-	2/3	0-1740533-3
-			X	X	X	X	X	X	X	2	5	9.9	-	X	-	-	-	-	-	1/2	2-1740533-2
RED			X	X	X	X	X	X	X	2	5	9.9	-	-	-	-	-	-	-	1/2	1-1740533-2
GREEN			X	X	X	X	X	X	X	2	5	9.9	-	-	-	-	-	-	-	1/2	0-1740533-2
COLOUR	9	8	7	6	5	4	3	2	1	POS.	DIM A	DIM B	DIM C	KEYING	KEYING	KEYING	KEYING	KEYING	KEYING	LOCKING HOOK	PN Bestell-Nr.

GWEPT 750°C NO FLAME & UL94-V0 VERSIONS																					
COLOUR	9	8	7	6	5	4	3	2	1	POS.	DIM A	DIM B	DIM C	KEYING	KEYING	KEYING	KEYING	KEYING	KEYING	LOCKING HOOK	PART NO
RED	X	X	X	X	X	X	X	X	X	8	35	39.9	-	-	-	-	-	-	-	2/3	3-2395228-8
	X	X	X	X	X	X	X	X	X	8	35	39.9	-	-	-	-	-	-	-	3/4	2-2395228-8
			X	X	X	X	X	X	X	6	25	29.9	-	-	-	-	-	-	-	2/3	8-2395228-6
			X	X	X	X	X	X	X	4	15	19.9	-	X	-	-	-	-	-	1/2 + 3/4	6-2395228-4
			X	X	X	X	X	X	X	3	10	14.9	-	X	-	-	-	-	-	1/2 + 2/3	1-2395228-3
			X	X	X	X	X	X	X	2	5	9.9	-	X	-	-	-	-	-	1/2	2-2395228-2

THIS DRAWING IS A CONTROLLED DOCUMENT. DIMENSIONS: mm. TOLERANCES UNLESS OTHERWISE SPECIFIED: 0 PLC ±0.2, 1 PLC ±0.2, 2 PLC ±0.2, 3 PLC ±0.2, 4 PLC ±0.2, ANGLES FINISH ±0°.

OWN: H. Atzmann, CHK: B. Schnaubelt, APVD: T. Klenner. PRODUCT SPEC: 108-18780. APPLICATION SPEC: 114-18996. WEIGHT: -. CUSTOMER DRAWING.

TE Connectivity. AMP DUOPLUG POWER FEMALE CONNECTOR 2-9 POSITION (WITH PEB LOCKING). SIZE: A1. CAGE CODE: 00779. DRAWING NO: 1740533. SHEET 4 OF 4. SCALE: 5:1. REV: B26.