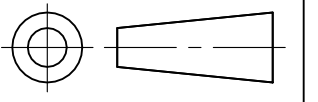
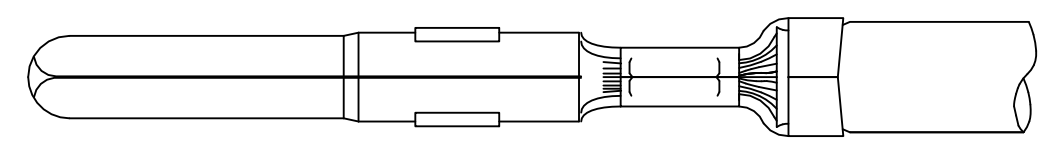
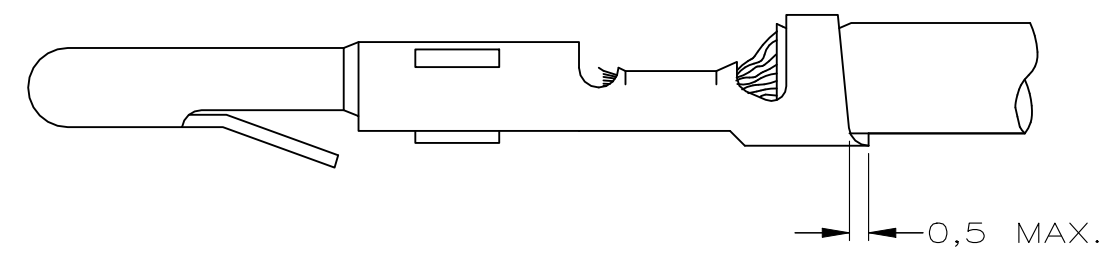
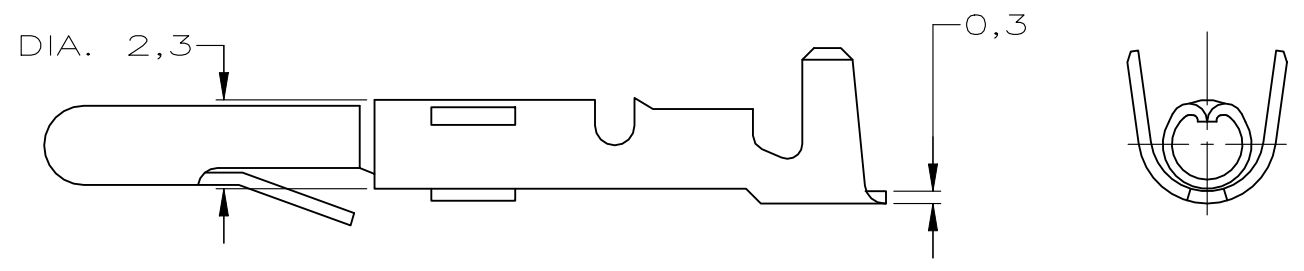
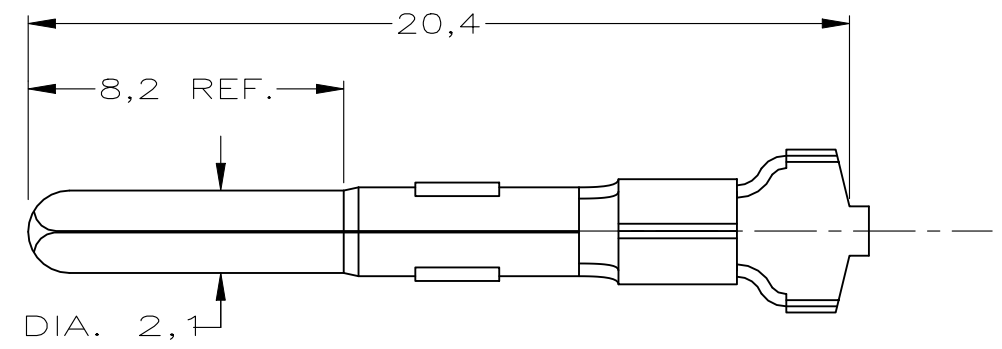


DO NOT SCALE
DIMENSIONS IN mm

METRIC

THIRD ANGLE
PROJECTION

WIRE RANGE :
0,5-1,0mm
INSULATION RANGE :
1,8-3,3 DIA.

	PRE-TINPLATED	PHOSPHOR BR.	163305-4
OBSOLETE	UNPLATED	PHOSPHOR BR.	-163305-3-
	PRE-TINPLATED	BRASS	163305-2
OBSOLETE	UNPLATED	BRASS	-163305-1-
	PLATING	MATERIAL	PARTNUMBER

					CUSTOMER DRAWING		FOR REFERENCE ONLY WILL NOT BE UPDATED					
					© COPYRIGHT - BY -							
					ALL INTERNATIONAL RIGHTS RESERVED.							
					THIS DRAWING IS UNPUBLISHED							
					RELEASED FOR PUBLICATION		,19					
					TE		TE Connectivity					
C2	REVISED PER ECN-23-195825	WLS	VS	02FEB23	NAME PIN MATE-N-LOK.							
C1	REVISED PER ECO-11-005294	RK	HMR	05APR11								
LTR.	REVISION RECORD	DR.	CHK.	DATE								
DR.:	J.v.LIEMPT	CHK.:	A.BIJNEN.	APP.:	M.v.DRIEL	DWG.No.	C-163305	REV.LTR.	C2	SHEET	1 OF 1	A3
DATE:	24 OCT 96	DATE:	-	DATE:	-							