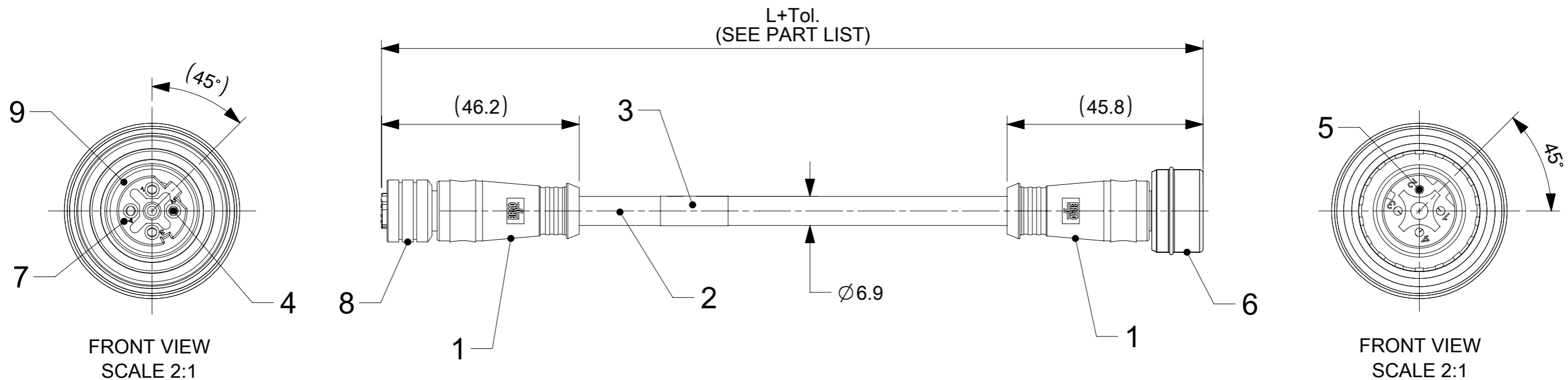
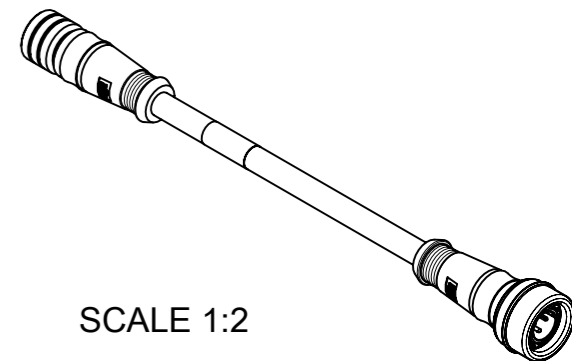


NOTES :

MAX. VOLTAGE : 30V
 MAX. CURRENT : 1.5 Amps
 IP RATING : IP67
 TEMPERATURE RANGE : -20°C TO +75°C



BOM

ITEM	QTY.	DESCRIPTION	MATERIAL	FINISH/COLOR
9	1	GASKET FEMALE	FPM	RED
8	1	COUPLING NUT FEMALE	BRASS	Ni-PLATED
7	1	INSERT M12 FEMALE 4P	PUR	BLACK
6	1	ULTALOCK MALE 4P ASSEMBLY	-	-
5	4	CONTACT MALE	BRASS	SELECTIVE GOLD
4	4	CONTACT FEMALE	BRASS	SELECTIVE GOLD
3	1	LABEL	VINYL	YELLOW
2	-	CABLE CAT5E	PVC	TEAL
1	-	OVERMOULD	TPU	BLACK

PART LIST

MOLEX P/N	ENG No.	L+Tol[mm]
1300480207	E1WB03003M002	200+19

FUNCTIONAL SYMBOLS	THIS DRAWING CONTAINS INFORMATION THAT IS PROPRIETARY TO MOLEX ELECTRONIC TECHNOLOGIES, LLC AND SHOULD NOT BE USED WITHOUT WRITTEN PERMISSION	CURRENT REV DESC:		molex
	DIMENSION UNITS: mm SCALE: 1:1 GENERAL TOLERANCES (UNLESS SPECIFIED) ANGULAR TOL ± 1.0° 4 PLACES ± 3 PLACES ± 2 PLACES ± 0.05 1 PLACE ± 0.3 0 PLACES ± 0.5	EC NO: 703538 DRWN: SSM CHK'D: RSILLER APPR: RSILLER INITIAL REVISION: DRWN: SSM APPR: RSILLER		
DIVISIONAL SYMBOLS	DRAFT WHERE APPLICABLE MUST REMAIN WITHIN DIMENSIONS THIRD ANGLE PROJECTION DRAWING: A3-SIZE SERIES: 130048 MATERIAL NUMBER: SEE PART LIST CUSTOMER: GENERAL MARKET SHEET NUMBER: 1 OF 1	2022/03/16 2022/04/22 2022/03/16 2022/04/22	DOCUMENT NUMBER: 1300480207 DOC TYPE: PSD DOC PART: 000 REVISION: A	

6

5

4

3

2

1

PART NUMBER	ENGINEERING NO.	LENGTH ± TOLERANCE
1300480207	E1WB03003M002	7.87' +0.75'/-0' [0.2M +19.1/-0 mm]

AUX VIEW
SCALE 1:4

NOTES:

1) MATERIAL: SEE TABLE
 2) FINISHES: SEE TABLE
 3) CABLE: #24/4 UNSHIELDED PVC
 4) ELECTRICAL DATA:
 ACCORDING TO CAT5e ETHERNET STANDARD
 MAX. VOLTAGE: 30V
 MAX. CURRENT 1.5A
 5) ENVIRONMENTAL:
 PROTECTION IP67
 TEMPERATURE RANGE: -20°C TO 75°C
 6) WRAP LABEL IS MARKED WITH P/N, DATE CODE,
 VOLTAGE & AMPERAGE.
 7) ASSEMBLY IS RoHS COMPLIANT.

P1		P2
1	ORANGE	1
2	BLUE	2
3	DRG/WHITE	3
4	BLUE/WHITE	4

WIRING DIAGRAM

ITEM	QTY.	DESCRIPTION	MATERIAL	FINISH
6	1	LABEL	PLASTIC FILM	BLACK/YELLOW
5	2	INSERT	PUR	BLACK
4	8	PIN CONTACT	COPPER ALLOY	GOLD PLATED
3	2	M12 ULTRA-LOCK HEAD ASSY	BRASS	NICKEL
2	2	OVERMOLD	PVC	BLACK
1	1	ETHERNET CABLE-CAT5E	PVC JACKET	TEAL

SD RELEASE EC NO: MEL2010-0005 7/15/09 DRWN: VOU CHKD: BWOODMAN APPR: JFMURPHY 2009/07/20	QUALITY SYMBOLS ▽=0 ▽/▽=0	GENERAL TOLERANCES (UNLESS SPECIFIED)		DIMENSION STYLE	SCALE	DESIGN UNITS	THIRD ANGLE PROJECTION	
				IN/MM	3:4	INCH		
		4 PLACES	±----	±----	DRAWN BY	DATE		TITLE
		3 PLACES	±----	±.005	VOU	2009/07/06		M12 ETHERNET CABLE ASSY M12 4P M/MFE ULCK/THD #24/4 UNSHIELDED PVC
2 PLACES	±----	±.010	CHECKED BY	DATE				
1 PLACE	±----	±.020	BWOODMAN	2009/07/31				
ANGULAR ± 1/2°		DRAFT WHERE APPLICABLE MUST REMAIN WITHIN DIMENSIONS		MATERIAL NO.	MOLEX INCORPORATED			
				SEE CHART		DOCUMENT NO.	SHEET NO.	
				SIZE	THIS DRAWING CONTAINS INFORMATION THAT IS PROPRIETARY TO MOLEX INCORPORATED AND SHOULD NOT BE USED WITHOUT WRITTEN PERMISSION			
				A	SD-120108-030		1 OF 1	

6

5

4

3

2

1