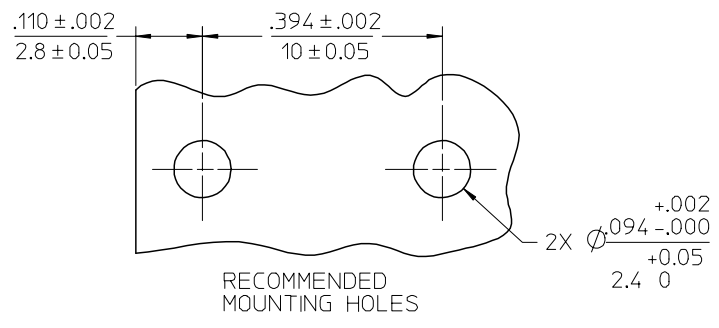
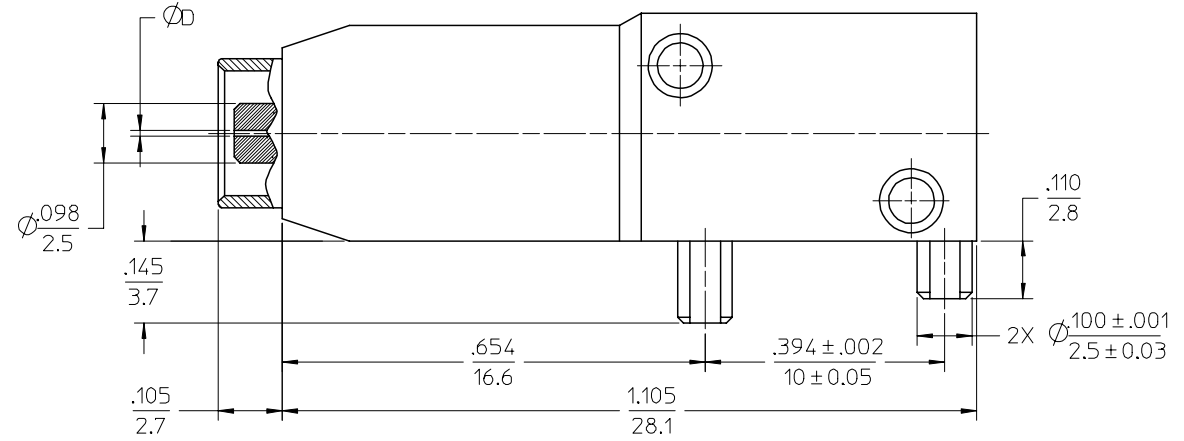
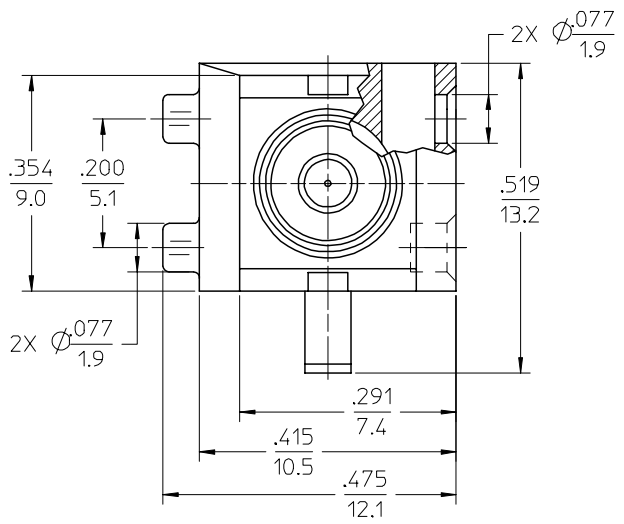
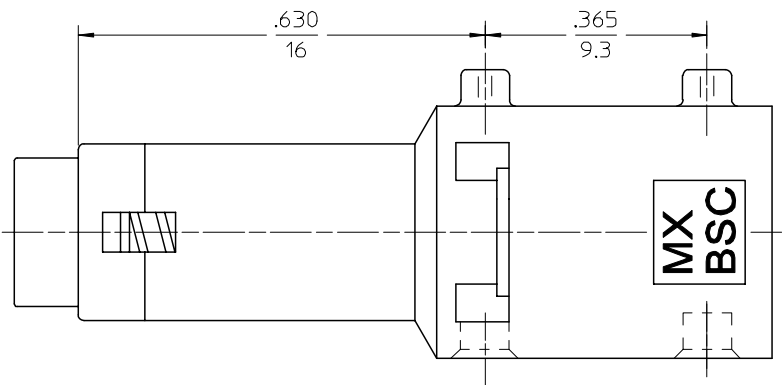


CONNECTOR P/N	Ø D (mm)	HOUSING COLOR
106070-0000	127	BLACK
106070-2000	125.5	
106070-3000	128	
106070-4000	125	
106070-5000	126	
106070-3080	128	RED



ENTER DESCRIPTION EC NO: MF2008-0238 DRWN: IGUMIN 2007/11/30 CHKD: IGUMIN 2007/11/30 APPR: IGUMIN 2007/11/30	QUALITY SYMBOLS ▽=0 ▽=0	GENERAL TOLERANCES (UNLESS SPECIFIED) <table border="1"> <thead> <tr> <th></th> <th>mm</th> <th>INCH</th> </tr> </thead> <tbody> <tr> <td>4 PLACES</td> <td>± ---</td> <td>± ---</td> </tr> <tr> <td>3 PLACES</td> <td>± ---</td> <td>± ---</td> </tr> <tr> <td>2 PLACES</td> <td>± ---</td> <td>± ---</td> </tr> <tr> <td>1 PLACE</td> <td>± ---</td> <td>± ---</td> </tr> </tbody> </table> ANGULAR ±1/2°		mm	INCH	4 PLACES	± ---	± ---	3 PLACES	± ---	± ---	2 PLACES	± ---	± ---	1 PLACE	± ---	± ---	DIMENSION STYLE IN/MM DRAWN BY: PGIBL IN DATE: 2005/10/27 CHECKED BY: _____ DATE: _____	SCALE: 5:1 DESIGN UNITS: INCH THIRD ANGLE PROJECTION	TITLE: BSC BACK PANEL CONNECTOR
		mm	INCH																	
	4 PLACES	± ---	± ---																	
	3 PLACES	± ---	± ---																	
2 PLACES	± ---	± ---																		
1 PLACE	± ---	± ---																		
APPROVED BY: IGUMIN DATE: 2005/10/27	MOLEX INCORPORATED	MATERIAL NO.: SEE TABLE	DOCUMENT NO.: SD-106070-X0X0	SHEET NO.: 1 OF 01																
DRAFT WHERE APPLICABLE MUST REMAIN WITHIN DIMENSIONS	SIZE: B	THIS DRAWING CONTAINS INFORMATION THAT IS PROPRIETARY TO MOLEX INCORPORATED AND SHOULD NOT BE USED WITHOUT WRITTEN PERMISSION																		
REV: A1																				