

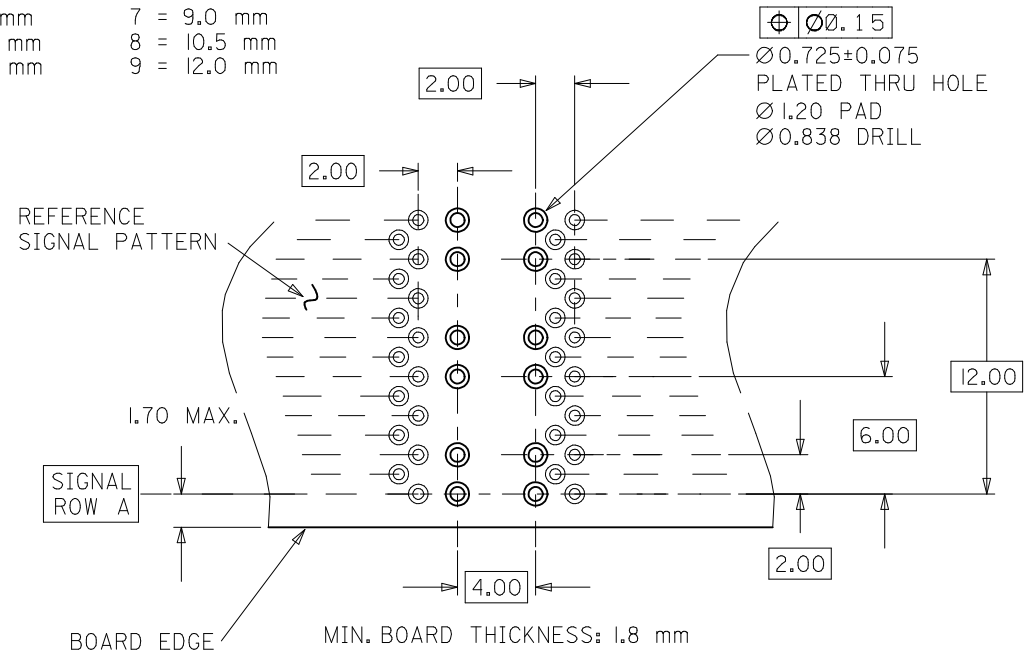
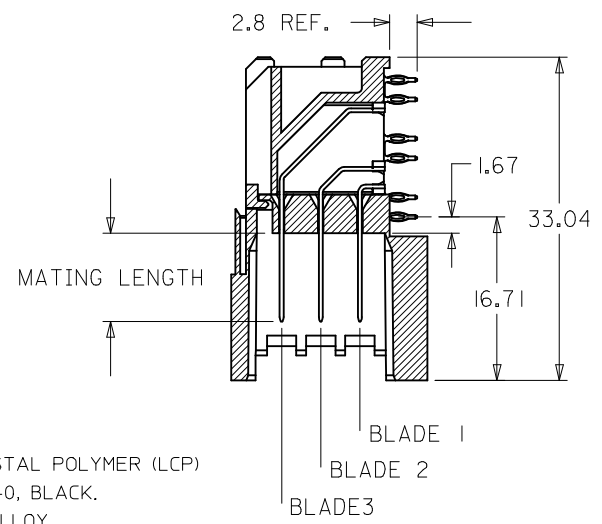
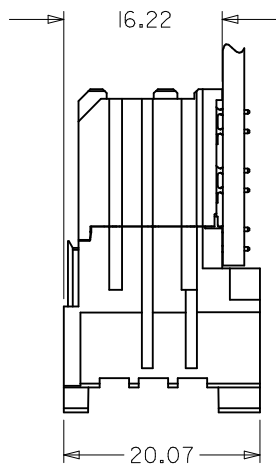
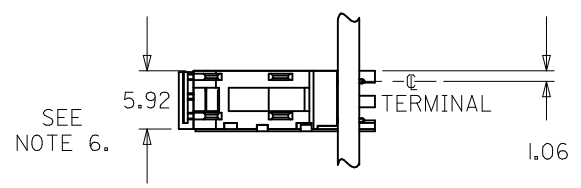
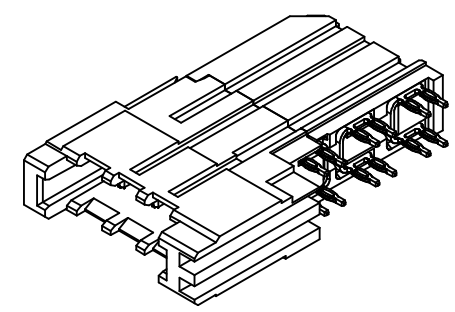
10 9 8 7 6 5 4 3 2 1

**LEAD FREE
PLATING**

MATERIAL NUMBER ASSIGNMENT

74026 - 8 * * * SEE NOTE 2. & 3.

BLADE 1 MATING LENGTH	BLADE 2 MATING LENGTH	BLADE 3 MATING LENGTH
1 = 7.5 mm	1 = 7.5 mm	1 = 7.5 mm
2 = 9.0 mm	2 = 9.0 mm	2 = 9.0 mm
3 = 10.5 mm	3 = 10.5 mm	3 = 10.5 mm
4 = 12.0 mm	4 = 12.0 mm	4 = 12.0 mm
5 = 9.75 mm	5 = 9.75 mm	5 = 9.75 mm
6 = 7.5 mm	6 = 7.5 mm	6 = 7.5 mm
7 = 9.0 mm	7 = 9.0 mm	7 = 9.0 mm
8 = 10.5 mm	8 = 10.5 mm	8 = 10.5 mm
9 = 12.0 mm	9 = 12.0 mm	9 = 12.0 mm



- NOTES:
- MATERIALS: HOUSING : LIQUID CRYSTAL POLYMER (LCP)
GLASS-FILLED, UL94V-0, BLACK.
TERMINALS: COPPER ALLOY
 - FINISH: SELECTIVE GOLD (Au) 0.76 MICROMETERS MINIMUM
IN CONTACT AREA, SELECTIVE MATTE TIN (Sn) IN TAIL AREA,
NICKEL (Ni) UNDERPLATE OVERALL.
(WHEN * = 1, 2, 3, 4, OR 5.)
 - FINISH: SELECTIVE GOLD (Au) 1.27 MICROMETERS MINIMUM
IN CONTACT AREA, SELECTIVE MATTE TIN (Sn) IN TAIL AREA,
NICKEL (Ni) UNDERPLATE OVERALL.
(WHEN * = 6, 7, 8, OR 9.)
 - THIS PART CONFORMS TO PRODUCT SPECIFICATION PS-74031-999.
 - PART SHOWN IS 74026-8222.
 - USE 6.00 mm NOMINAL FOR DAUGHTERCARD LAYOUT.

LEAD FREE CONVERSION EC NO: UCP2013-3429 DRAWN: RM/HP/LE 2013/02/13 CHKD: MWOLFE 2013/02/13 APPR: SMILLER 2013/03/04 REV G	QUALITY SYMBOLS ▽ F/0 ▽ F/0 ▽ F/0	GENERAL TOLERANCES (UNLESS SPECIFIED) <table border="1"> <thead> <tr> <th></th> <th>mm</th> <th>INCH</th> </tr> </thead> <tbody> <tr><td>4 PLACES</td><td>± ---</td><td>± ---</td></tr> <tr><td>3 PLACES</td><td>± ---</td><td>± ---</td></tr> <tr><td>2 PLACES</td><td>± 0.13</td><td>± ---</td></tr> <tr><td>1 PLACE</td><td>± 0.25</td><td>± ---</td></tr> <tr><td>0 PLACE</td><td>± ---</td><td>± ---</td></tr> </tbody> </table>		mm	INCH	4 PLACES	± ---	± ---	3 PLACES	± ---	± ---	2 PLACES	± 0.13	± ---	1 PLACE	± 0.25	± ---	0 PLACE	± ---	± ---	DIMENSION STYLE MM ONLY	SCALE NONE	DESIGN UNITS METRIC	THIRD ANGLE PROJECTION
		mm	INCH																					
	4 PLACES	± ---	± ---																					
	3 PLACES	± ---	± ---																					
2 PLACES	± 0.13	± ---																						
1 PLACE	± 0.25	± ---																						
0 PLACE	± ---	± ---																						
DRAWN BY DATE MWOLFE 2012/05/17		CHECKED BY DATE SDANNELLEY 2012/05/17		TITLE VHDM POWER 8 ROW DAUGHTERCARD SALES ASSEMBLY		SHEET NO. 1 OF 1																		
APPROVED BY DATE SMILLER 2012/05/23		MATERIAL NO. SEE TABLE		DOCUMENT NO. SD-74026-002																				
DRAFT WHERE APPLICABLE MUST REMAIN WITHIN DIMENSIONS		ANGULAR ±1/2°		THIS DRAWING CONTAINS INFORMATION THAT IS PROPRIETARY TO MOLEX INCORPORATED AND SHOULD NOT BE USED WITHOUT WRITTEN PERMISSION																				

9 8 7 6 5 4 3 2 1