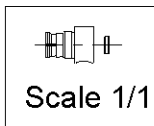
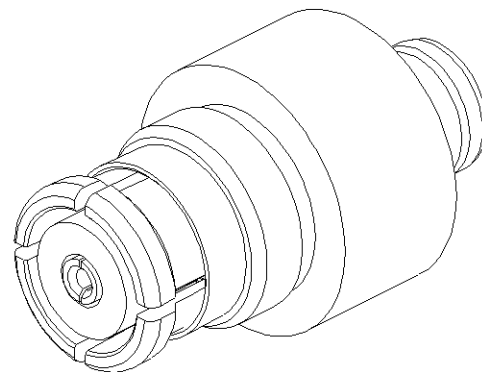
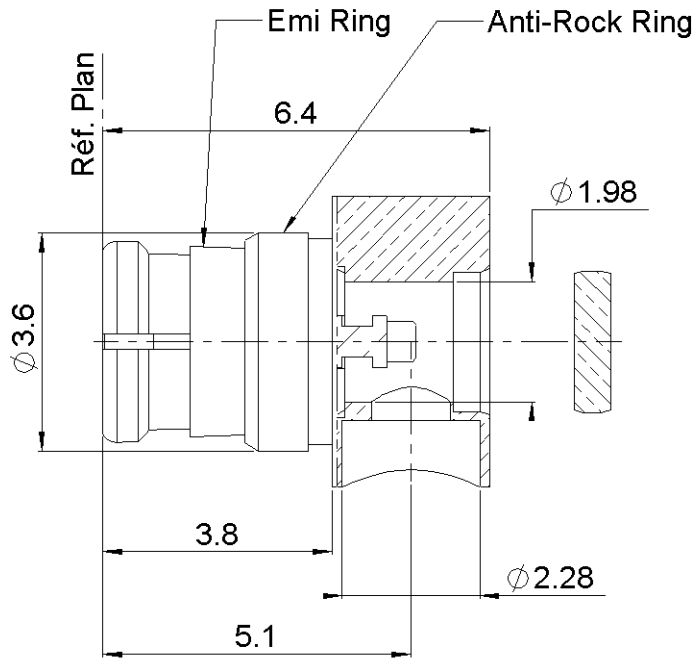


**FEMALE RIGHT ANGLE PLUG SOLDER TYPE**

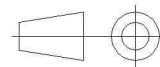
**R222.152.000**

**CABLE .085**

Series : SMP



All dimensions are in mm.



COMPONENTS	MATERIALS	PLATING (µm)
<b>BODY</b>	<b>BERYLLIUM COPPER</b>	<b>GOLD OVER NICKEL</b>
<b>CENTER CONTACT</b>	<b>BERYLLIUM COPPER</b>	<b>GOLD OVER NICKEL</b>
<b>OUTER CONTACT</b>	-	-
<b>INSULATOR</b>	<b>PTFE</b>	-
<b>GASKET</b>	-	-
<b>OTHERS PARTS</b>	<b>BERYLLIUM COPPER; BRASS</b>	<b>GOLD OVER NICKEL</b>
-	-	-
-	-	-

**Issue : 1241 D**

In the effort to improve our products, we reserve the right to make changes judged to be necessary.



**FEMALE RIGHT ANGLE PLUG SOLDER TYPE**

**R222.152.000**

**CABLE .085**

Series : SMP

**PACKAGING**

Standard	Unit	Other
<b>100</b>	<b>'W' option</b>	<b>Contact us</b>

**SPECIFICATION**

**ELECTRICAL CHARACTERISTICS**

Impedance		<b>50</b> Ω
Frequency		<b>0-26.5</b> GHz
VSWR	<b>1.35 +</b>	<b>0.0000</b> x F(GHz) Maxi
Insertion loss		<b>0.12</b> √F(GHz) dB Maxi
RF leakage	- (	* - F(GHz)) dB Maxi
Voltage rating		<b>335</b> Veff Maxi
Dielectric withstanding voltage		<b>500</b> Veff mini
Insulation resistance		<b>5000</b> MΩ mini

**CABLE ASSEMBLY**

Stripping	a	b	c	d	e	f
mm	1.30	0.00	0.00	0.00	0.00	0.00

Assembly instruction :

Recommended cable(s)

KS 1  
RG 405

**MECHANICAL CHARACTERISTICS**

Center contact retention		
Axial force – Mating end	<b>6.7</b>	N mini
Axial force – Opposite end	<b>6.7</b>	N mini
Torque	<b>NA</b>	N.cm mini

Characteristics indicated on this data sheet are those that can be achieved with the highest performance cable. Intrinsic limitations of the cable may diminish the performance of the assembly

Cable retention

- pull off	<b>200</b>	N mini
- torque	<b>NA</b>	N.cm

Recommended torque

Mating	<b>NA</b>	N.cm
Panel nut	<b>NA</b>	N.cm
Clamp nut	<b>NA</b>	N.cm
A/F clamp nut	<b>0.0000</b>	mm

**TOOLING**

Part Number	Description	Hexagon
R282.740.030	SOLDERING MOUNTING	
R282.743.120	POSITIONER FOR SOLDERING SMP	
R282.051.000	STRIPPING TOOL	
R282.062.010	POINTER GAUGE	

Mating life	<b>100</b>	Cycles mini
Weight	<b>0.4530</b>	g

**ENVIRONMENTAL**

Operating temperature	<b>-65/+165</b>	° C
Hermetic seal	<b>NA</b>	Atm.cm3/s
Panel leakage	<b>NA</b>	

**OTHER CHARACTERISTICS**

\*RF leakage:-80dB DC-3GHz  
-65dB: 3-26.5GHz  
Compliant with MIL.STD.348

Issue : 1241 D

In the effort to improve our products, we reserve the right to make changes judged to be necessary.



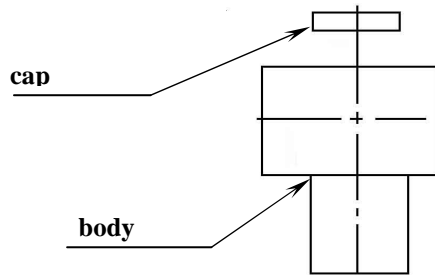
**FEMALE RIGHT ANGLE PLUG SOLDER TYPE**

**R222.152.000**

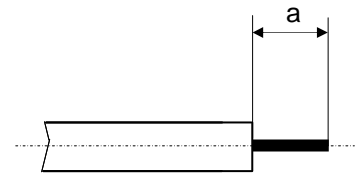
**CABLE .085**

Series : SMP

**COMPONENT**



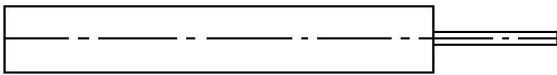
**STRIPPING CABLES**



**We recommend a thermal preconditioning cable**

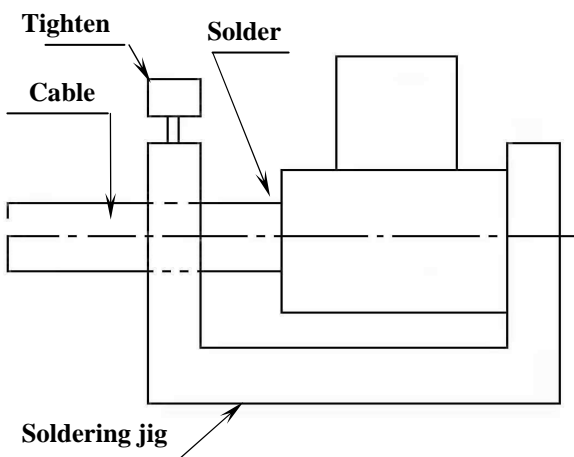
**1**

Strip the cable .  
Clean the cable .  
The iron temperature shall not exceed 250°C max



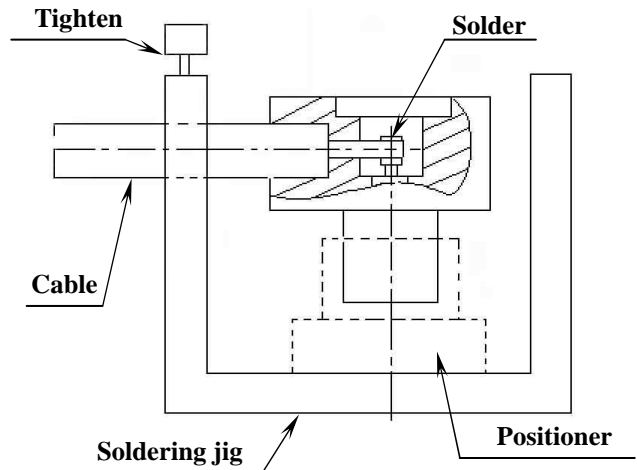
**2**

Slide the assembly in the the soldering jig and tighten.  
Slide cable into connector until it bottoms against the body and tighten.  
Solder the body onto the cable .



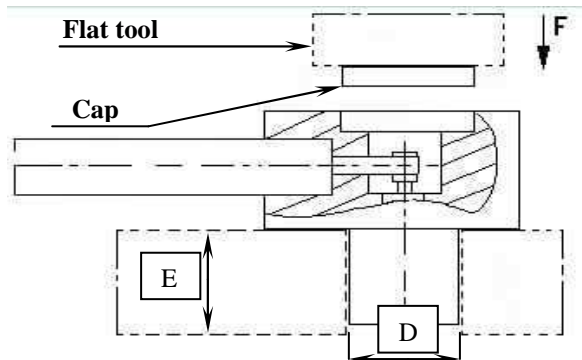
**3**

After cooling remove the cable assembly from the jig .  
Slide the body into the positioner until its bottoms against the positioner  
Slide cable assembly onto the jig .  
Tighten and solder the contact.  
After cooling remove cable assembly from the jig.



**4**

Place cable assembly into a dia D = 3.8 +-0.1 and thickness E = 4 +-0.1 .  
Place cable assembly above a flat pressing tool .  
To fit the cap until it bottoms against the body .  
(direction F)



**Issue : 1241 D**

In the effort to improve our products, we reserve the right to make changes judged to be necessary.

