

THIS COPY IS PROVIDED ON A RESTRICTED BASIS AND IS NOT TO BE USED IN ANY WAY DETRIMENTAL TO THE INTERESTS OF PANDUIT CORP.

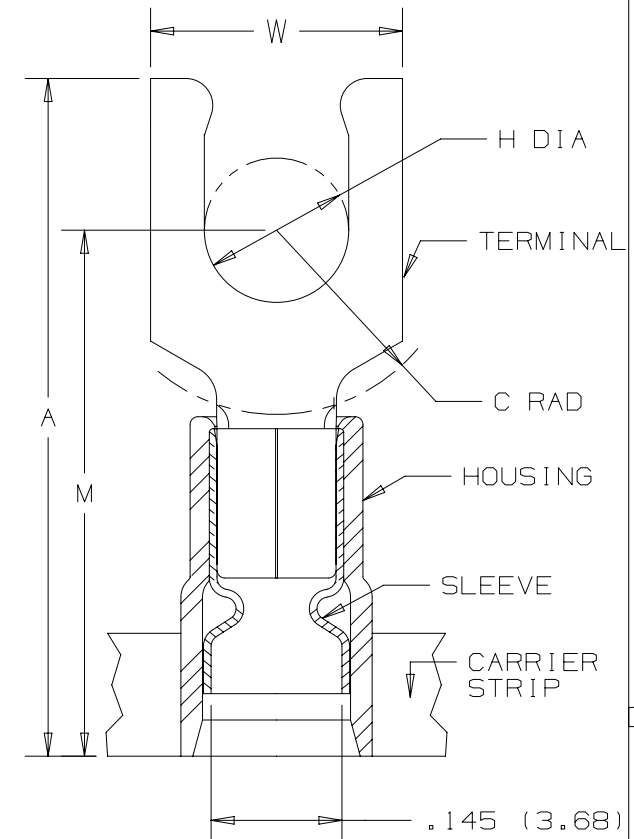
PANDUIT PART #	STUD SIZE	DIMENSIONS in. [mm]					CA9 SERIES CRIMP DIE	CA-800(EZ) SERIES CRIMP DIE
	ENGLISH	A ± .03 [0,8]	W ± .01 [0,3]	C ± .02 [0,5]	M ± .03 [0,8]	H ± .01 [0,3]		
PNF18-6LF-3K	#6	.85 [21,6]	.27 [6,9]	.19 [4,8]	.63 [16,0]	.15 [3,8]	CD9-1A	CD-800-1
PNF18-6LFW-3K	#6	.85 [21,6]	.29 [7,4]	.19 [4,8]	.63 [16,0]	.15 [3,8]		
PNF18-8LF-3K	#8	.89 [22,6]	.29 [7,4]	.23 [5,8]	.68 [17,3]	.16 [4,1]		
PNF18-10LF-3K	#10	.89 [22,6]	.33 [8,4]	.23 [5,8]	.68 [17,3]	.19 [4,8]		

PRESS/APPLICATOR COMPATIBILITY CHART

PRESS	CP-871	CP-861
APPLICATOR	CA9 CA-800EZ	CA-800

NOTES:

- UL LISTED AND CSA CERTIFIED FOR:
 - A. 600V MAX. BLDG WIRE (1000 V MAX. IN SIGNS, FIXTURES & LUMINARIES)
 - B. 221°F (105°C) MAX TEMP. RATING
 - C. #22-18 AWG [0,5-1,5 mm²] SOLID OR STRANDED, COPPER WIRE
- SEE WWW.PANDUIT.COM FOR PACKAGE QUANTITIES
- MATERIAL:
 - A. STAMPING - .03" THK, COPPER, TIN PLATED
 - B. HOUSING - NYLON, RED
 - C. SLEEVE - BRASS, TIN PLATED
- DIMENSIONS IN BRACKETS ARE IN MILLIMETERS
- WIRE STRIP LENGTH: 1/4" ^{+1/32}/₀ [6,4mm ^{+0,8}/₋₀]



TITLE	
LOCKING FORKS, 3PC. NYLON (FUNNEL) INSULATED #22-18 BARREL, CONTINUOUS REEL	
CUSTOMER DRAWING	
ITEM REVISION NAME	N41148BA/11
DATASET FILE NAME	N41148BA/11
UNLESS OTHERWISE SPECIFIED, DIMENSIONAL TOLERANCES ARE: IN [mm]	
.X ±	.XXX ±
.XX ±	ANGLES ±
THIRD ANGLE PROJECTION	
DRAWING NUMBER: A41148	
DRAWN BY	DATE
GRM	
CHK	SCALE
FS	NONE
SHT 1 OF 1	
SIZE A	

REV	DATE	BY	CHK	APR	DESCRIPTION	ECN
11	01/17	TMR	TMR	RGB	UPDATED TABLE FORMAT, ADDED METRIC TOLERANCE	N41148BA-A41148
10	09/14	JHNU	JHNU	RGB	UPDATED CSA LOGO	N41148BA-A41148
09	06/14	MBY	JHNU	RGB	REVISED NOTES, MOVED TOOLS TO TABLE, REVISED CERTIFICATION, UPDATED BORDER	N41148BA-A41148

D101000DA/16