

Customer Information Sheet

DRAWING No.: M20-891XX05R

SHEET 2 OF 2

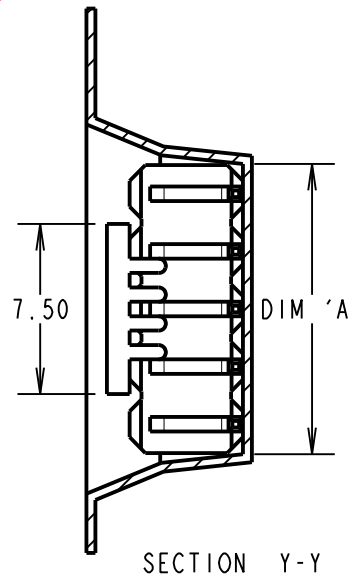
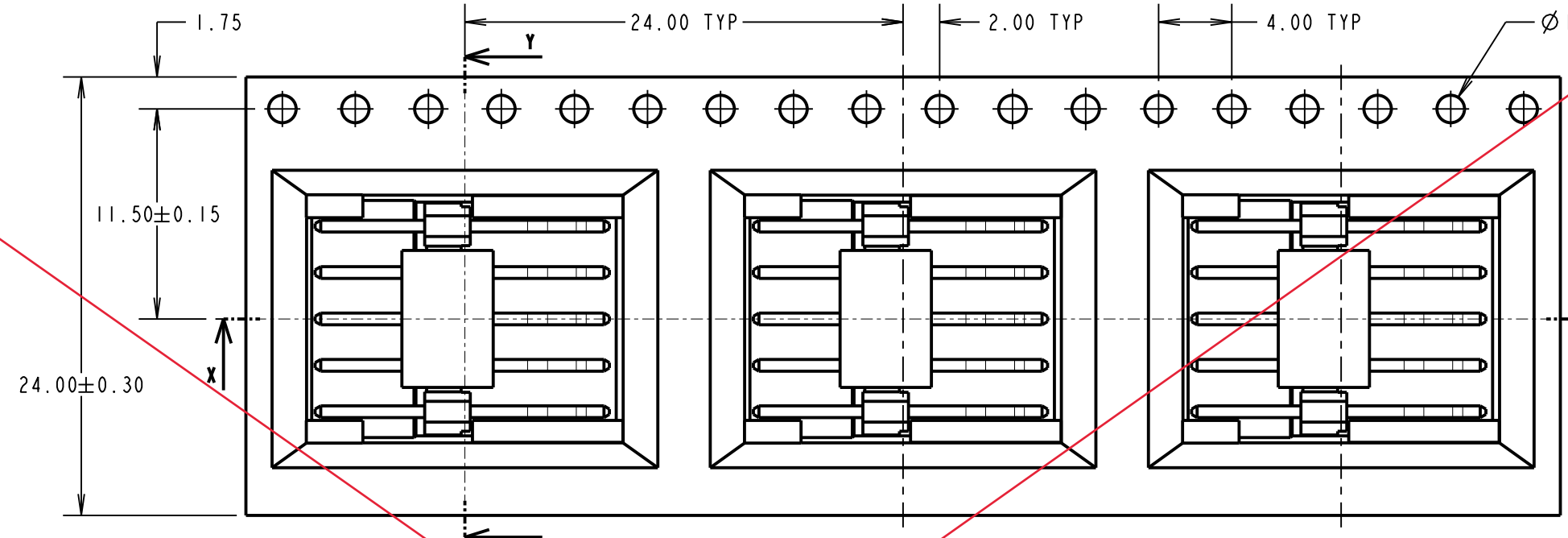
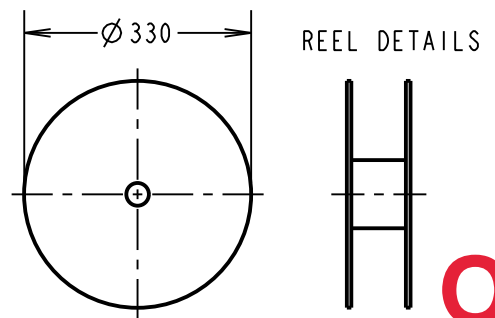
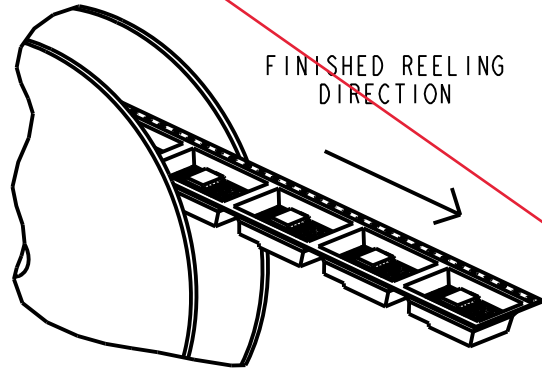
IF IN DOUBT - ASK

(C)

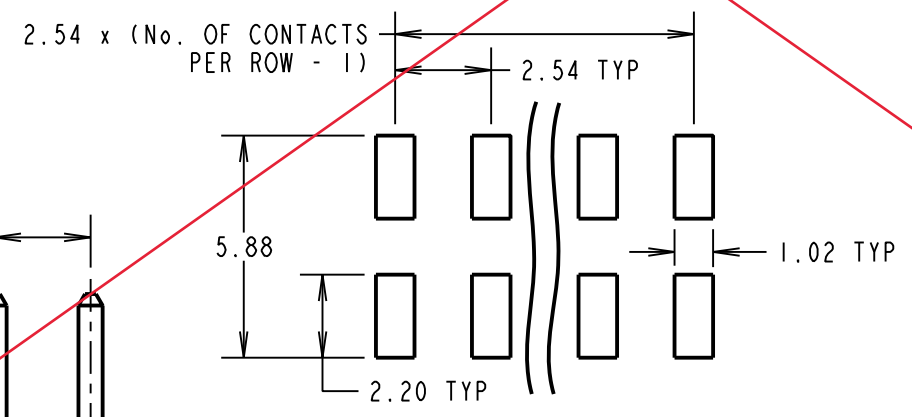
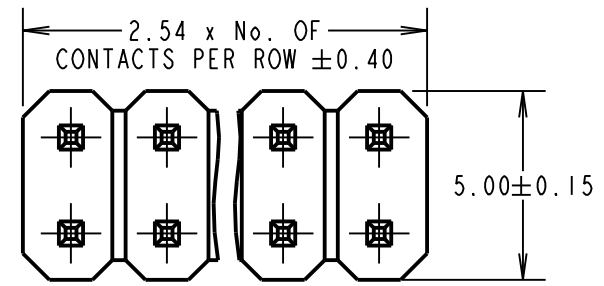
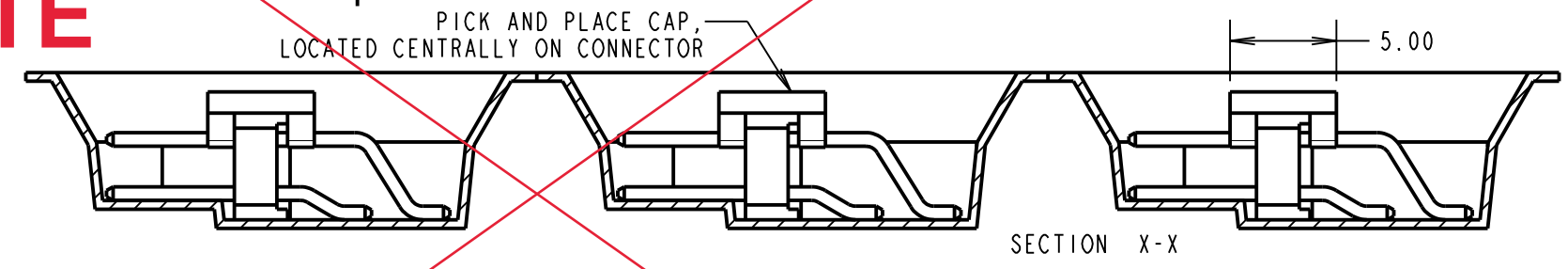
NOT TO SCALE

THIRD ANGLE PROJECTION

ALL DIMENSIONS IN mm



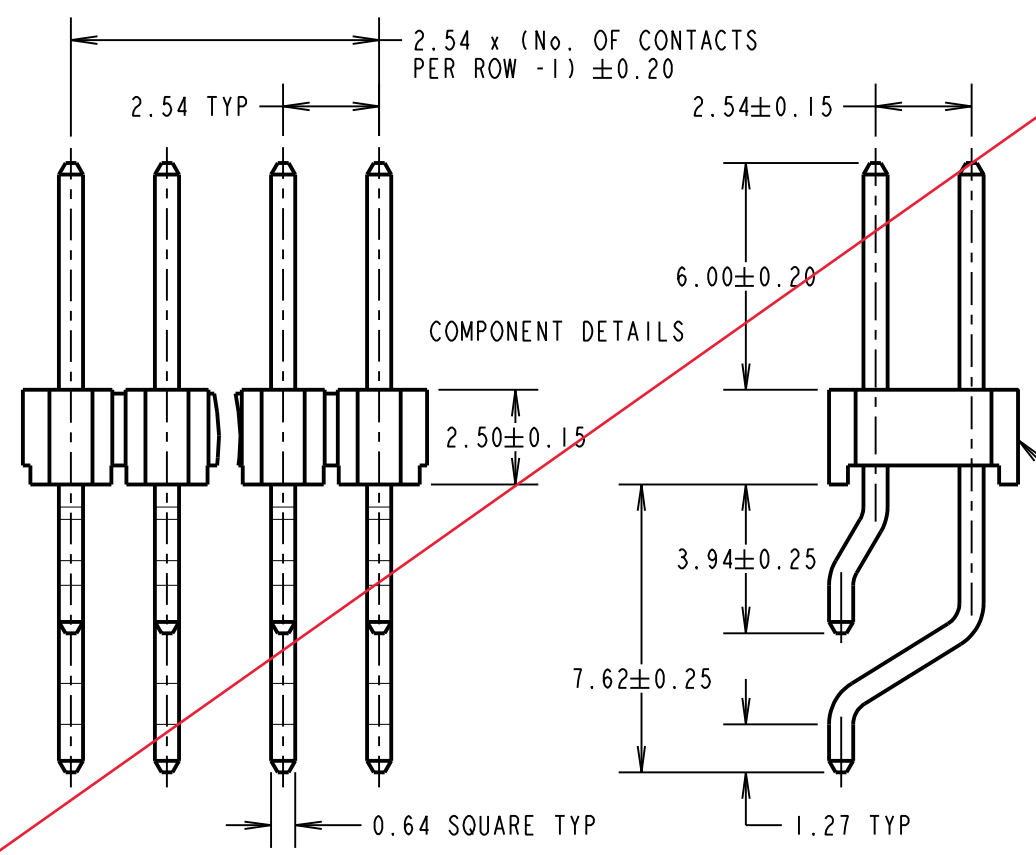
OBSOLETE



SPECIFICATION:
 MATERIAL:
 Moulding = PA9T UL94V-0, BLACK
 CONTACT = BRASS
 FINISH:
 CONTACT = GOLD FLASH OVER NICKEL
 ELECTRICAL:
 CURRENT RATING = 3A
 CONTACT RESISTANCE = 20mΩ MAX
 INSULATION RESISTANCE = 1000MΩ MIN
 DIELECTRIC STRENGTH = 1000V AC FOR ONE MIN
 ENVIRONMENTAL:
 TEMPERATURE RANGE = -40°C TO +105°C
 FOR COMPLETE SPECIFICATION, SEE COMPONENT SPECIFICATION COOIXX (LATEST ISSUE).

ORDER CODE:
M20-891XX05R
 No. OF CONTACTS PER ROW: 02, 05

PART No.	DIM 'A'
M20-8910205R	5.60
M20-8910505R	12.80



RECOMMENDED PAD LAYOUT TOLERANCE ± 0.05

PICK AND PLACE CAP REMOVED FOR ILLUSTRATION ONLY

- NOTES:
- FOR COMPLETE SPECIFICATION, SEE COMPONENT SPECIFICATION COOIXX (LATEST ISSUE).
 - TAPE & REELING TO BE IN ACCORDANCE WITH EIA-481 (ELECTRONIC INDUSTRIES ASSOCIATION).
 - PACK SIZE = 350 PER REEL.

MSP	ISS.	DATE	C/NOTE
2		14.08.17	20547
APPROVED:		M. PERREN	
CHECKED:		S. BENNETT	
DRAWN:		S. BENNETT	
CUSTOMER REF.:			
ASSEMBLY DRG:			

<p>www.harwin.com technical@harwin.com</p>	<p>THIS DRAWING AND ANY INFORMATION OR DESCRIPTIVE MATTER SET OUT HEREON ARE CONFIDENTIAL AND COPYRIGHT PROPERTY OF THE HARWIN GROUP AND MUST NOT BE DISCLOSED, LOANED, COPIED OR USED FOR MANUFACTURING, TENDERING OR FOR ANY OTHER PURPOSE WITHOUT THEIR WRITTEN PERMISSION.</p>	<p>TOLERANCES</p> <p>X. = ±1mm X.X = ±0.25mm X.XX = ±0.10mm X.XXX = ±0.01mm</p> <p>ANGLES = ±5° UNLESS STATED</p>	<p>MATERIAL:</p> <p>SEE ABOVE</p>	<p>TITLE:</p> <p>2.54mm PITCH DIL HORIZONTAL SMT PIN HEADER ASSEMBLY IN T&R</p>
		<p>FINISH:</p> <p>SEE ABOVE</p>	<p>S/AREA:</p> <p>mm²</p>	<p>DRAWING NUMBER:</p> <p>M20-891XX05R</p>