



FOCUS LCDs

LCDs MADE SIMPLE®

480-503-4295 | NOPP@FocusLCDs.com

TFT | OLED | CHARACTER | GRAPHIC | UWVD | SEGMENT | CUSTOM

FPC Connector Board

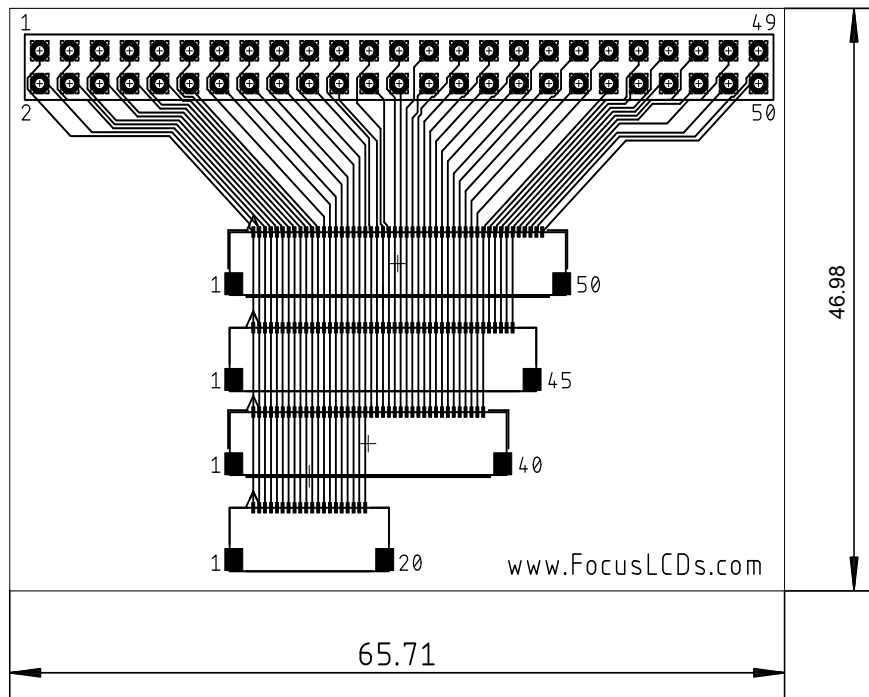
Part Number

KBB50X

Overview:

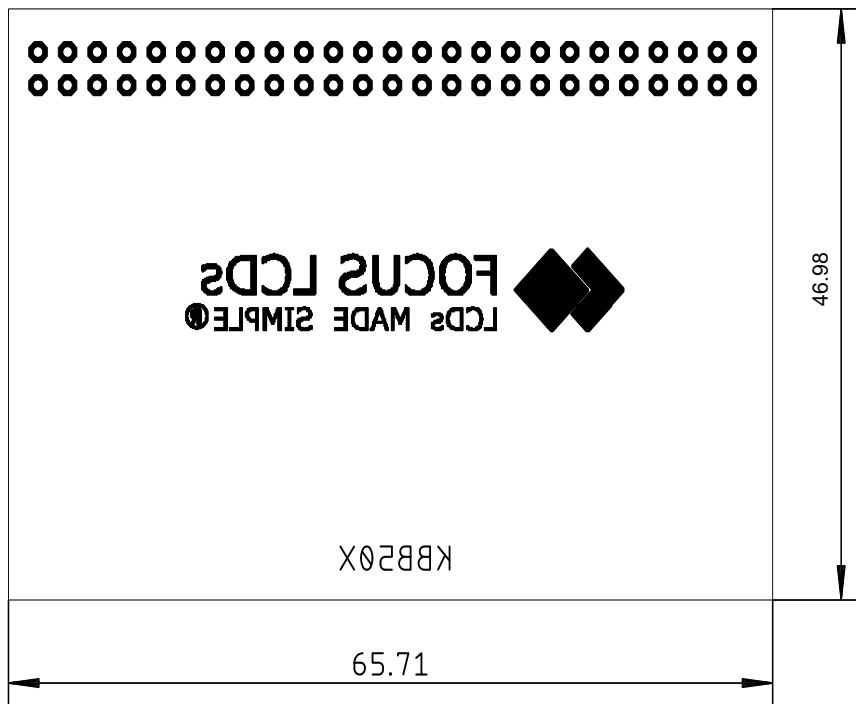
- KBB5020
 - 20 pin FFC connector board. Top and bottom connection, 0.5mm pitch
- KBB5040
 - 40 pin FFC connector board. Top and bottom connection, 0.5mm pitch
- KBB5045
 - 45 pin FFC connector board. Top and bottom connection, 0.5mm pitch
- KBB5050
 - 50 pin FFC connector board. Top and bottom connection, 0.5mm pitch

Outline: Top View



Units: mm

Outline: Bottom View



Connector Specifications

KBB5050

XF2M-5015-1A: Omron, 50 Position, 0.5mm Pitch, Top and Bottom Contact, Surface Mount, Right Angle

KBB5045

XF2M-4515-1A: Omron, 45 Position, 0.5mm Pitch, Top and Bottom Contact, Surface Mount, Right Angle

KBB5040

XF2M-4015-1A: Omron, 40 Position, 0.5mm Pitch, Top and Bottom Contact, Surface Mount, Right Angle

KBB5020

XF 2M-2015-1A: Omron, 20 Position, 0.5mm Pitch, Top and Bottom Contact, Surface Mount, Right Angle

