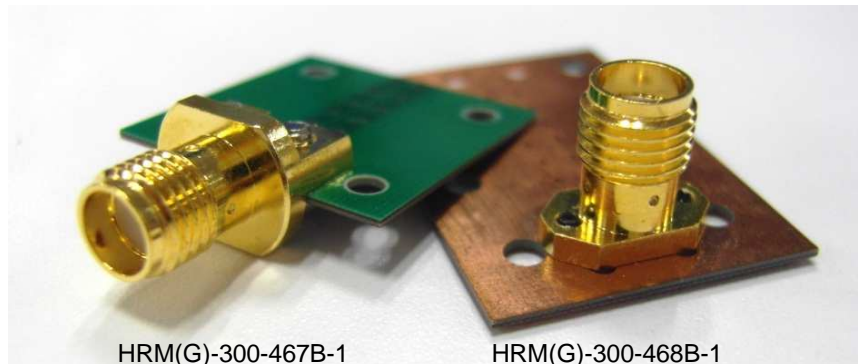


# HRM(G) Series

## SMA Coaxial Connectors Up to 28 GHz



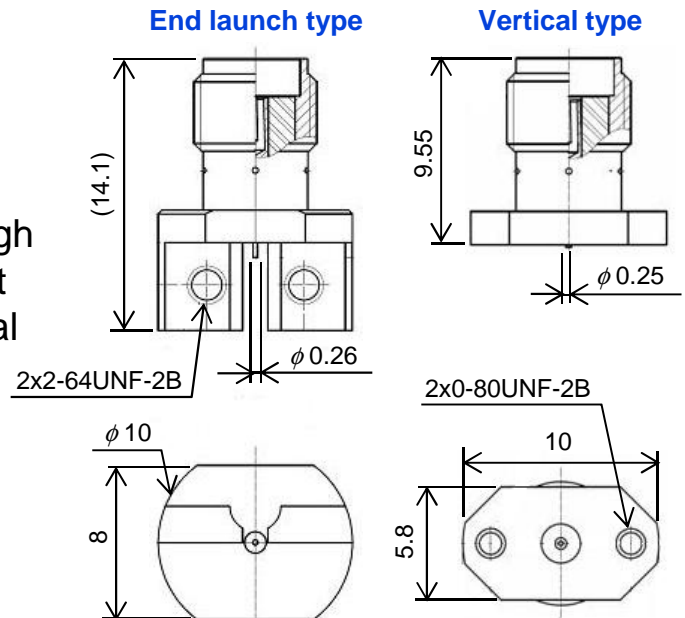
HRM(G)-300-467B-1

HRM(G)-300-468B-1

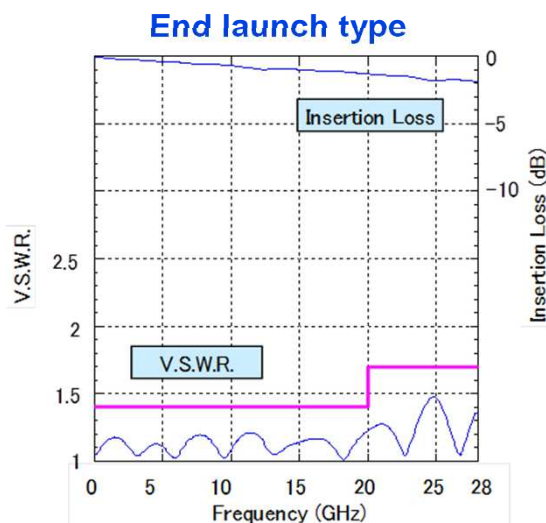
### ◆ Features

1. High frequency up to 28 GHz
2. Available in;  
End launch type: HRM(G)-300-467B-1  
Vertical type: HRM(G)-300-468B-1
3. Screw mounting provides excellent high frequency performance and consistent assembly quality to PCB unlike manual soldering
4. Accepts flexible PCB thickness
5. RoHS compliant

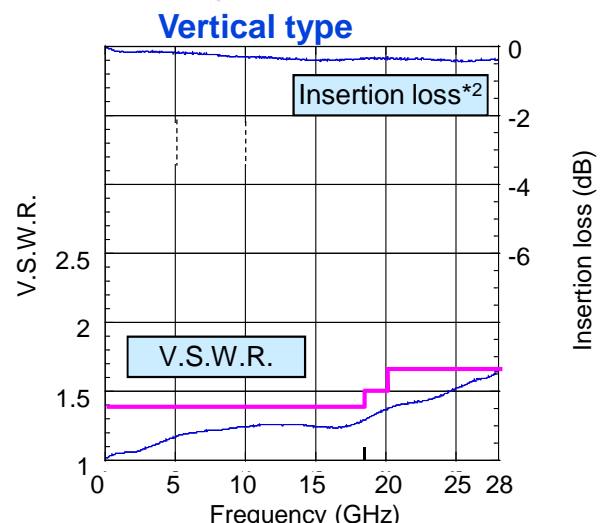
### ◆ Dimensions



### ◆ V.S.W.R. and Insertion Loss



\*1: Measured with PCB.



\*2: Measured with adapter.

### ◆ Application Examples

Measuring equipment, test fixtures, wireless radio module, high frequency module, wireless power amp, high speed router and switch

Specifications herein are subject to change without notice. Contact Hirose for latest specifications, drawings or availabilities.