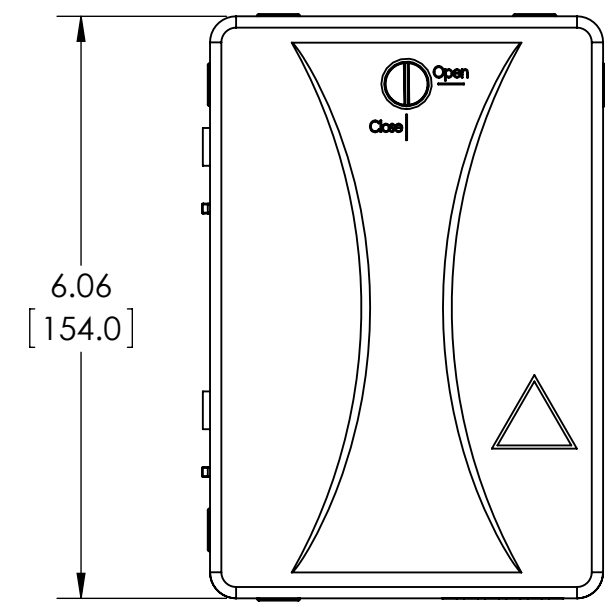
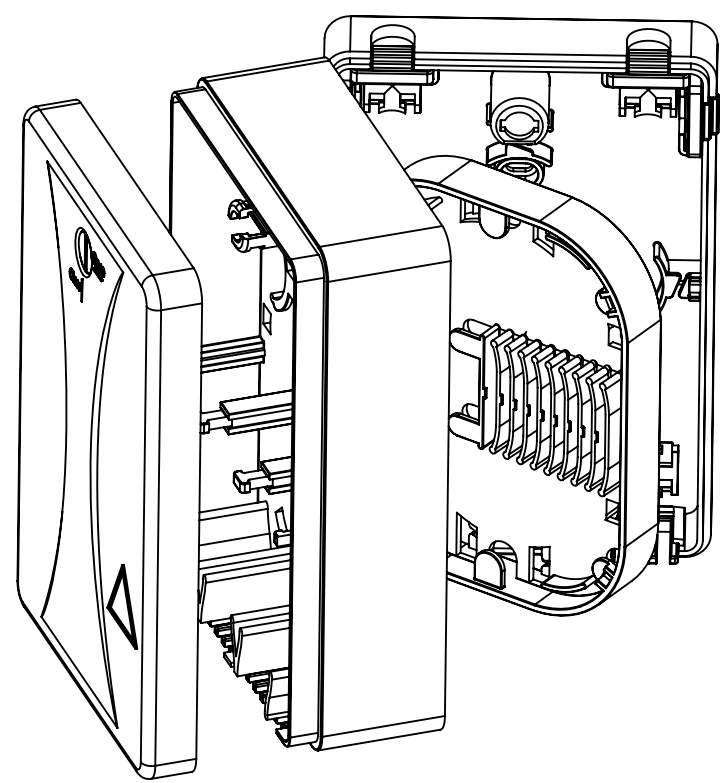


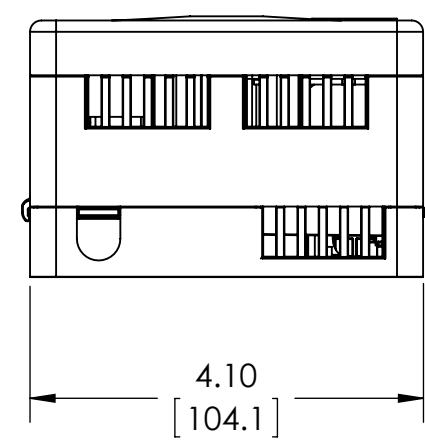
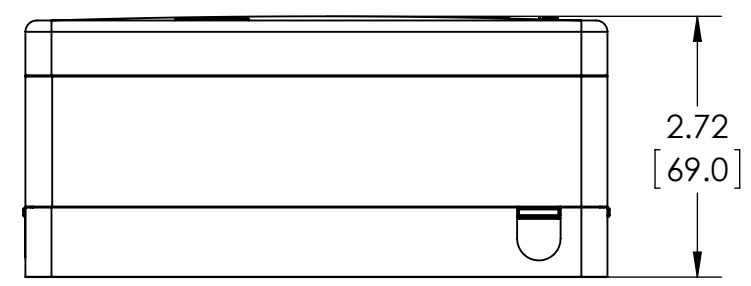
Revision level			Revision Record	Changed	Date	Approved	Date
Drawing	State	Part					
00.0	Design Release		SEE ECN# 014308	CAS	2/14/2018	KAC	2/14/2018



Maximum Number of Adapters	9x SC Duplex or 9x LC Quad
Maximum Number of Splices	18 (45mm long max)
Color	White
Material	ABS
Cable Entrance Ports (Side)	6

PART DESCRIPTION = FDEC-xyz

	Style(x)	Adapter Installed(y)	Adapters & Pigtailed(z)
FDEC-	E = Empty	Blank = no adapters installed	Blank = No Adapter or Pigtail
	SA = SC/APC Duplex (Green)	3 = 3 adapter	A = Adapters Installed
	S2 = SC Duplex MM (Beige)	6 = 6 adapters	P = Adapter & Pigtailed Installed
	S4 = SC Duplex MM (Aqua)	9 = 9 Adapters	
	SS = SC Duplex SM (Blue)		
	LA = LC/APC Quad (Green)		
	L2 = LC MM Quad (Beige)		
	L4 = LC MM Quad (Aqua)		
	LS = LC SM Quad (Blue)		



Notes

Material
ASSEMBLED

Units: inches
Dimension without tolerances details to:
.xxxx = ±.0005
.xxx = ±.005
.xx = ±.01
.x = ±.03
None = ±.06
∠ = ±0.5°
Dimension Formatted in/[mm]

The copyright of this drawing is reserved by HellermannTyton. It is issued on condition that it is not reproduced, copied, or disclosed to a third party, either wholly or in part, without the consent of HellermannTyton.

Drawn CAS 2/14/2018
Approved KAC 2/14/2018
HellermannTyton
North America
Email: corp@htamericas.com
Web: www.hellermann.tyton.com

Article/Type-No FDEC SERIES
Title Fiber Distribution Enclosure, Indoor Splice and Patch
Drawing-No 18-0363-001-CSU
PRODUCTION : Phase

Scale 1:2
Project Number PRP18-0363
Format B
Sheet 1/1