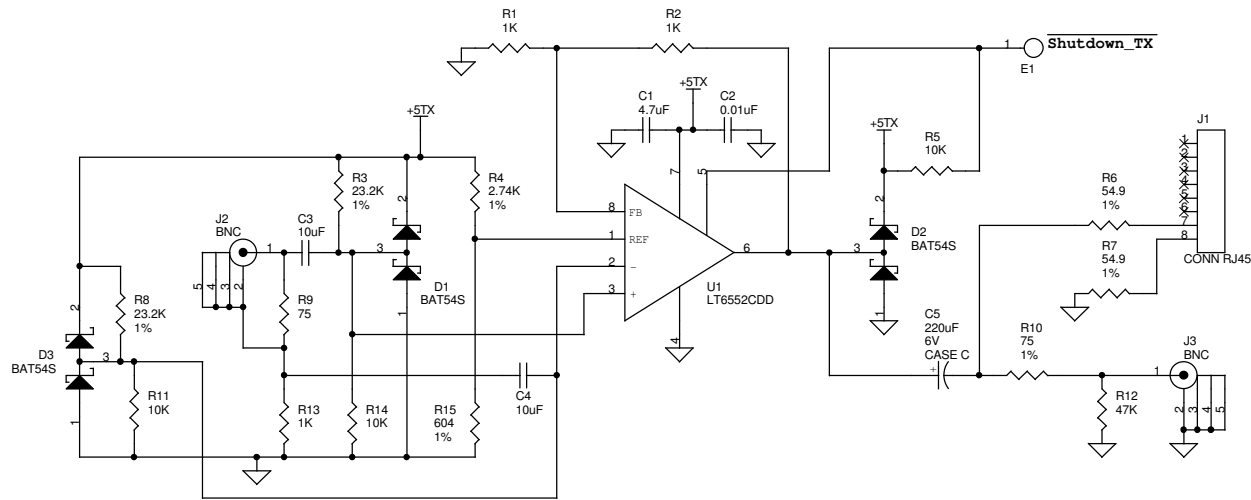
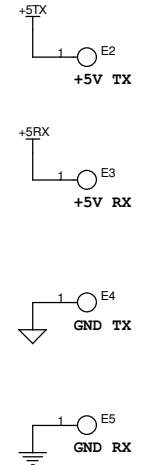


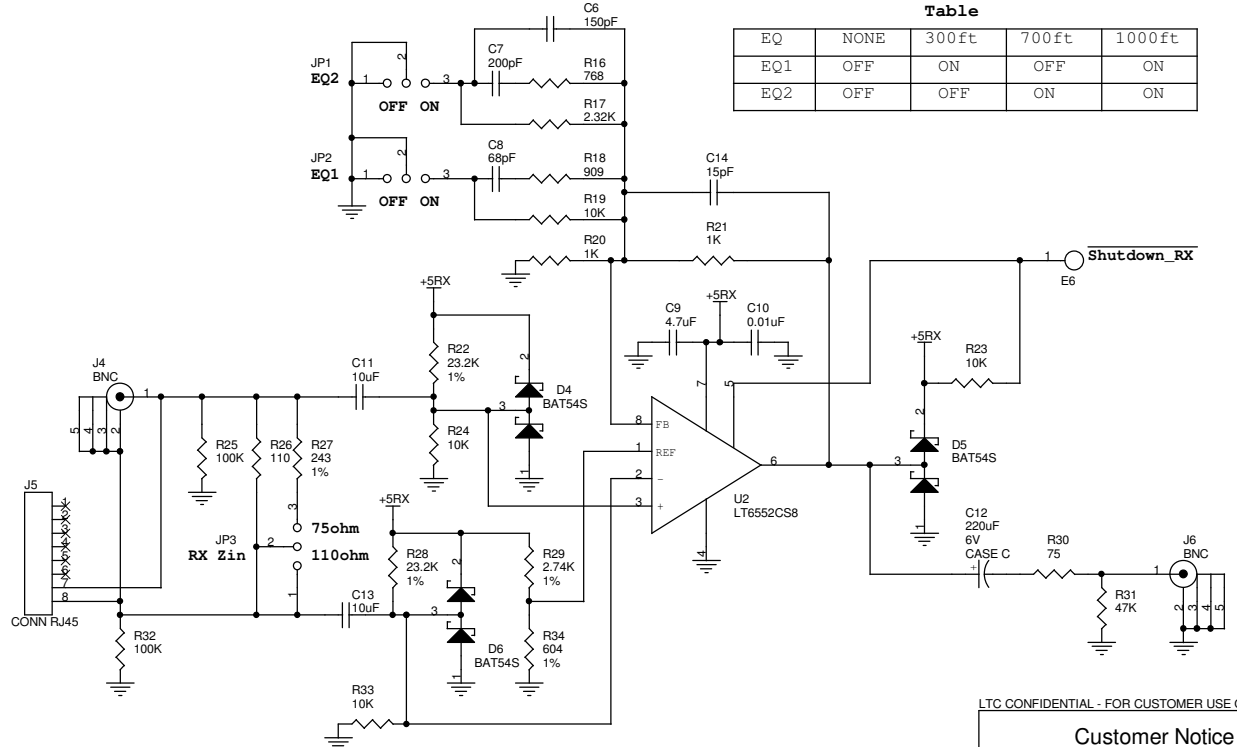
TX IN



TX OUT



RX IN



RX OUT

Table

EQ	NONE	300ft	700ft	1000ft
EQ1	OFF	ON	OFF	ON
EQ2	OFF	OFF	ON	ON

LTC CONFIDENTIAL - FOR CUSTOMER USE ONLY

Customer Notice

Linear Technology Has Made A Best Effort To Design A Circuit That Meets Customer-Supplied Specifications; However, It Remains The Customer's Responsibility To Verify Proper And Reliable Operation In The Actual Application. Component Substitution And Printed Circuit Board Layout May Significantly Affect Circuit Performance Or Reliability. Contact Linear Technology Applications Engineering For Assistance. This Circuit Is Proprietary To Linear Technology And Supplied For Use With Linear Technology Parts.

LINEAR TECHNOLOGY CORPORATION
1630 McCARTHY BLVD.
MILPITAS, CA 95035
(408) 432-1900
(408) 434-0507 FAX

Title		
Video Line Driver & Receiver		
Size	Document Number	Rev
	Demo Circuit 815A	LT6552CDD/LT6552CS8
Date:	Sheet 1 of 1	