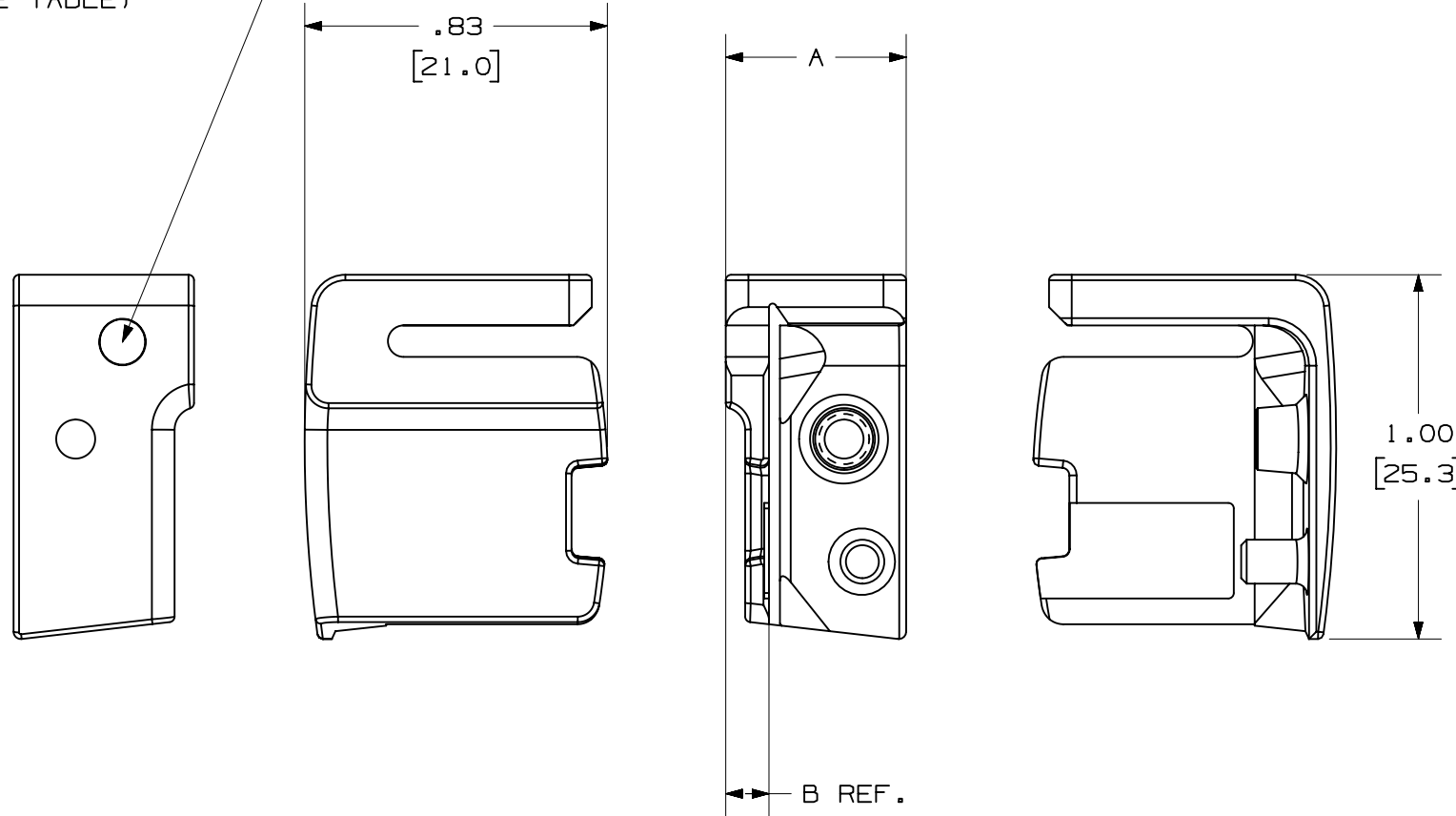


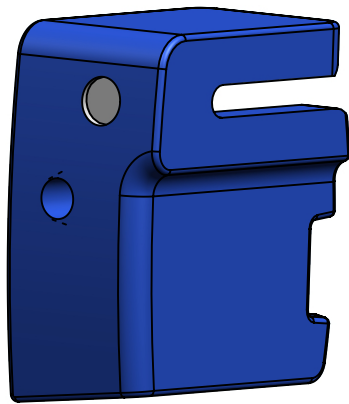
SEE NOTE

PART NO.	For use w/TOOLS:	DIM. A	DIM. B	Max. Cut-off Length	COLOR CODE
BG3GTH-E	GTH-E, GS4H-E	.49 (12.5mm)	.118 (3mm)	.118 (3mm)	WHITE

Color Code Paint Dot
(SEE TABLE)



1. DIMENSIONS IN [] ARE METRIC.
2. ALL MATERIALS AND COMPONENTS USED MEET THE MATERIAL RESTRICTIONS OF RoHS (EUROPEAN DIRECTIVE 2011/65/EU ON THE RESTRICTION OF HAZARDOUS SUBSTANCES) AS PROPOSED BY THE RoHS TECHNICAL ADAPTATION COMMITTEE.
3. BLADE GUARD KITS INCLUDE:
BLADE GUARD
REPLACEMENT SCREW
THREADLOCKER
4. CABLE TIE CUT-OFF LENGTH WILL NOT EXCEED MAX. CUT-OFF LENGTH IN TABLE. CUT-OFF LENGTH IS DEPENDENT ON VARIOUS ELEMENTS INCLUDING CABLE TIE STYLE, DISTANCE BETWEEN LOCKING SERRATIONS, CONDITION OF THE TIES (DRY VS. MOISTURE CONDITION), SPEED OF TOOL ACTUATION.



REV	DATE	BY	CHK	APR	DESCRIPTION	ECN
01	1/24/20	LAH	RDSE	ALP	INITIAL RELEASE	056506

PART NUMBER		BG#GTH-E	
TITLE		Extended Blade Guard for GTH-E & GS4H-E	
ITEM REVISION NAME		CUSTOMER DRAWING	
DATASET FILE NAME		R29226BA-12	
		R29226BA-12-dwg1	
MATERIAL		N/A	
DRAWING NUMBER		WH29226B01	
DRAWN BY	DATE	CHK	SCALE
LAH	1/6/20	RDSE	2:1
SHEET 1 OF 1			SIZE
			B

B-SIZE CUSTOMER