

ARK14127CHSCT



Sample image

Order symbol: ARK14127CHSCT

Product nbr: 8561589

Description: PC Enclosure

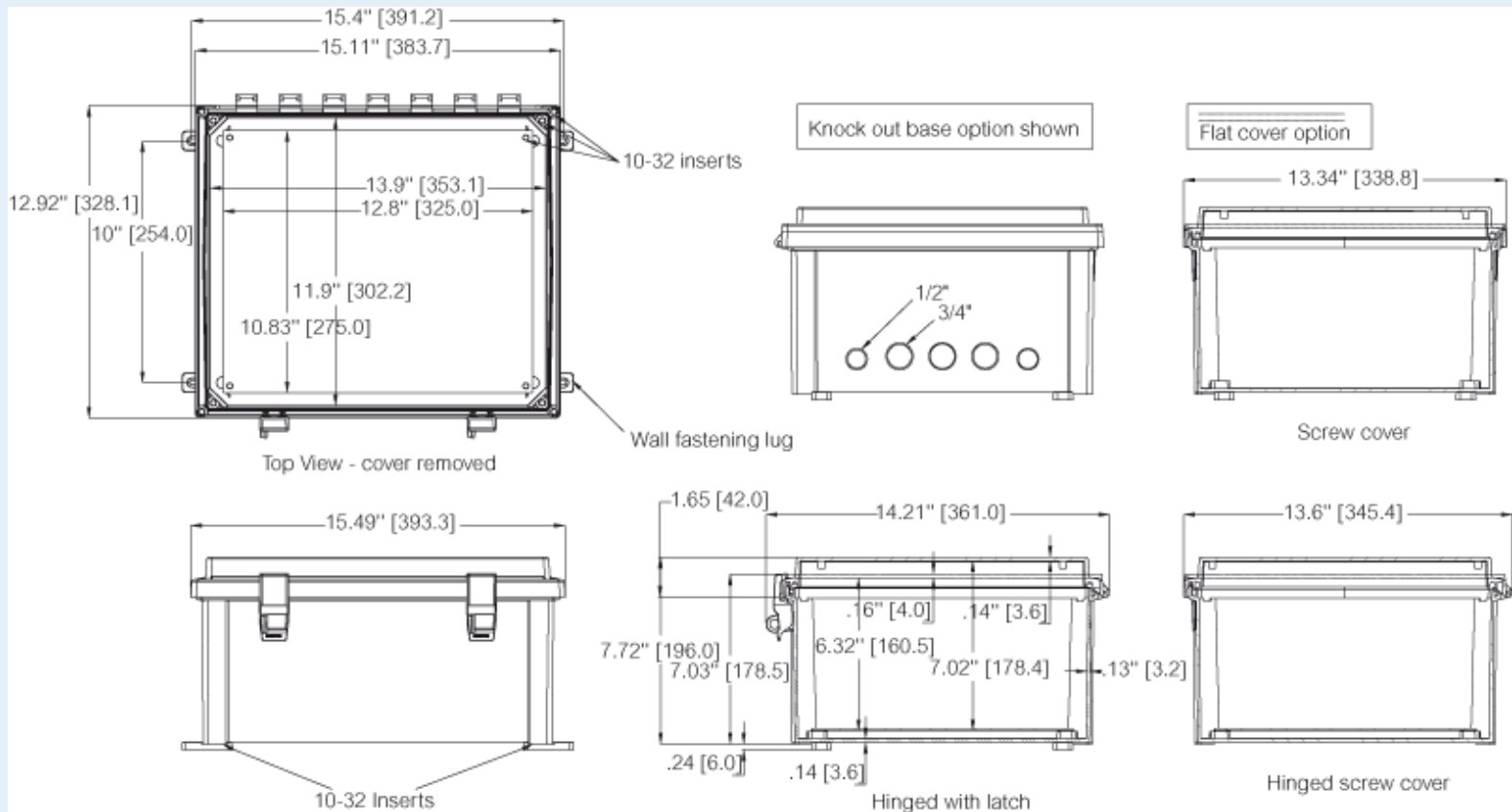
Remarks: Hinged transparent screw cover, base includes 1/2 and 3/4 inch knock-outs.

EAN: 6418074097651

El. number:

- Finland:
- Denmark:
- Sweden:

Including: Hinged screw cover. Base with 10-32 brass inserts, cover with formed in place PUR gasket, stainless hinge pin and 2 cover screws. Base includes 1/2 and 3/4 inch knock-outs. Enclosure mounting foot kit. Accessory 10-32 screws for panel mounting.



Dimensions:	Height	Width	Depth
mm:	356	305	178

Accessories:	
ABP1412	Painted Steel Back Panel

inch: 14 12 7

Materials:

Material: Polycarbonate
Base colour: RAL 7035 -light grey
Cover colour: Transparent
Gasket material: Polyurethane

Temperatures:

Temperature °C (short term):: -40 ... 140
Temperature °C (continuous): -40 ... 80
Temperature °F (short term): -40 ... 250
Temperature °F (continuous): -40 ... 175

(325 x 274)

ASP1412 Aluminum Swing Panel
(305 x 355.7 x 0)
ASPHK14 Swing Panel Kit w/o Panel
AMFL12 12" Mounting Flange Set
ADFP1412 Dead Front Panel w/ screws
(308 x 357.5 x 0)
ALBP1412 Aluminum Back Panel
(325 x 274)
APBP1412 PVC Back Panel
(325 x 274)
ASPK1412 Swing Panel Kit incl. Panel

Rating:

Ingress protection (EN 60529): IP66; IP67;
Impact Resistance (EN 62262): IK09;
Electrical insulation: Not insulated
Halogen free (DIN/VDE 0472,
Part 815): 1
UV resistance: UL 508
Flammability Rating: UL 508
Glow Wire Test (IEC 695-2-1)
°C: 960 °C
NEMA Class NEMA 4, 4X, 6, 6P, 12, 12K
and 13

Certificates: