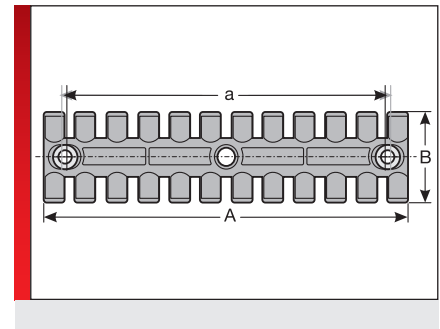
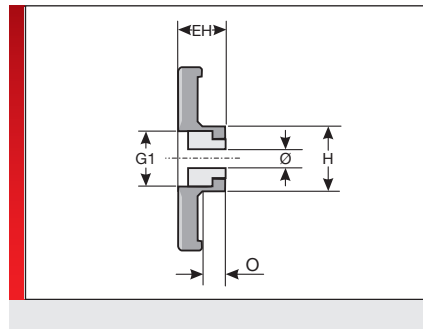


Type ZL-MH strain relief



Strain relief

PRODUCT INFORMATION

The ZL-MH strain relief plates are based on the ZL strain relief plate. By inserting the brass grommets, the ZL strain relief plate is free of fastening forces.

Approved for railway technology (EN 45545-2:2013)

SPECIFICATIONS

- Plate: Polyamide 6.6
Insert bushing: Brass
- 40 – 125 °C
- V0

EU
 GL
 LABS
 UV
 RoHS
 Made in Germany

Type	Order No.	Colour	No. Cables	Pack qty.
With brass grommets, assembly with M5 screws				
ZL-MH 39	87701210	Black	3	1
ZL-MH 60	87701212	Black	4	1
ZL-MH 87	87701214	Black	6	1
ZL-MH 103	87701216	Black	7	1
ZL-MH 121	87701218	Black	8	1
ZL-MH 140	87701220	Black	9	1
ZL-MH 180	87701222	Black	12	1
with brass grommets, mounting with M6 screws				
ZL-MH 39/6	87701270	Black	3	1
ZL-MH 60/6	87701272	Black	4	1
ZL-MH 70/6	87701274	Black	5	1
ZL-MH 87/6	87701278	Black	6	1
ZL-MH 103/6	87701282	Black	7	1
ZL-MH 121/6	87701284	Black	8	1
ZL-MH 140/6	87701286	Black	9	1
ZL-MH 180/6	87701288	Black	12	1

DIMENSION TABLE

Type	Order No.	A mm	a mm	B mm	EH mm	G1 mm	H mm	O mm	Ø mm
With brass grommets, assembly with M5 screws									
ZL-MH 39	87701210	38.50	19.50	40.00	10.00	12.00	14.00	3.90	5.50
ZL-MH 60	87701212	59.50	43.50	40.00	10.00	12.00	14.00	3.90	5.50
ZL-MH 87	87701214	86.50	68.00	40.00	10.00	12.00	14.00	3.90	5.50

Type ZL-MH strain relief

Type	Order No.	A mm	a mm	B mm	EH mm	G1 mm	H mm	O mm	Ø mm
ZL-MH 103	87701216	102.50	84.00	40.00	10.00	12.00	14.00	3.90	5.50
ZL-MH 121	87701218	121.00	102.50	40.00	10.00	12.00	14.00	3.90	5.50
ZL-MH 140	87701220	139.50	121.00	40.00	10.00	12.00	14.00	3.90	5.50
ZL-MH 180	87701222	180.00	157.00	42.00	11.50	12.00	14.00	3.90	5.50
with brass grommets, mounting with M6 screws									
ZL-MH 39/6	87701270	38.50	19.50	40.00	10.00	12.00	14.00	3.90	6.50
ZL-MH 60/6	87701272	59.50	43.50	40.00	10.00	12.00	14.00	3.90	6.50
ZL-MH 70/6	87701274	69.50	43.50	40.00	10.00	12.00	14.00	3.90	6.50
ZL-MH 87/6	87701278	86.50	68.00	40.00	10.00	12.00	14.00	3.90	6.50
ZL-MH 103/6	87701282	102.50	84.00	40.00	10.00	12.00	14.00	3.90	6.50
ZL-MH 121/6	87701284	121.00	102.50	40.00	10.00	12.00	14.00	3.90	6.50
ZL-MH 140/6	87701286	139.50	121.00	40.00	10.00	12.00	14.00	3.90	6.50
ZL-MH 180/6	87701288	180.00	157.00	42.00	11.50	12.00	16.00	3.90	6.50

MATERIAL PROPERTIES



Plate: Polyamide 6.6
Insert bushing: Brass



Temperature / temperature range
-40 – 125 °C

FIRE BEHAVIOUR



Fire classification
V0

APPROVALS AND OPERATING PERMITS



Railway EU approval



GL approval

TECHNICAL INFORMATION



LABS free



UV-resistant

CONFORMITY



RoHS (EC Directive 202/95/EC)

GENERAL INFORMATION



Made in Germany

Type ZL-MH strain relief

All details given in our sales material prospectuses and catalogues as well as the information available online are based on our current knowledge of the products described.

The electronic data and files made available by Murrplastik, particularly CAD files are based on our current knowledge of the product described.

A legally binding assurance of certain properties or the suitability for a certain purpose can not be determined from this information.

All information with respect to the chemical and physical properties of Murrplastik products as well as application advice given verbally, in writing or by tests, is given to the best of our knowledge.

This does not free the purchaser of carrying out their own inspections and tests in order to determine the suitability of a product for a specific purpose.

Murrplastik accepts no responsibility for the available information being up-to-date, correct or complete. Neither do we accept responsibility for the quality of this information.

Murrplastik accepts no liability for damage caused as a result of using our products.

Murrplastik reserves the right to make technical changes and improvements through constant further development of products and services.

Our General Terms and Conditions apply.

© Murrplastik Systemtechnik GmbH • prodID_58162~20170508~890287~kdh_zl_mh