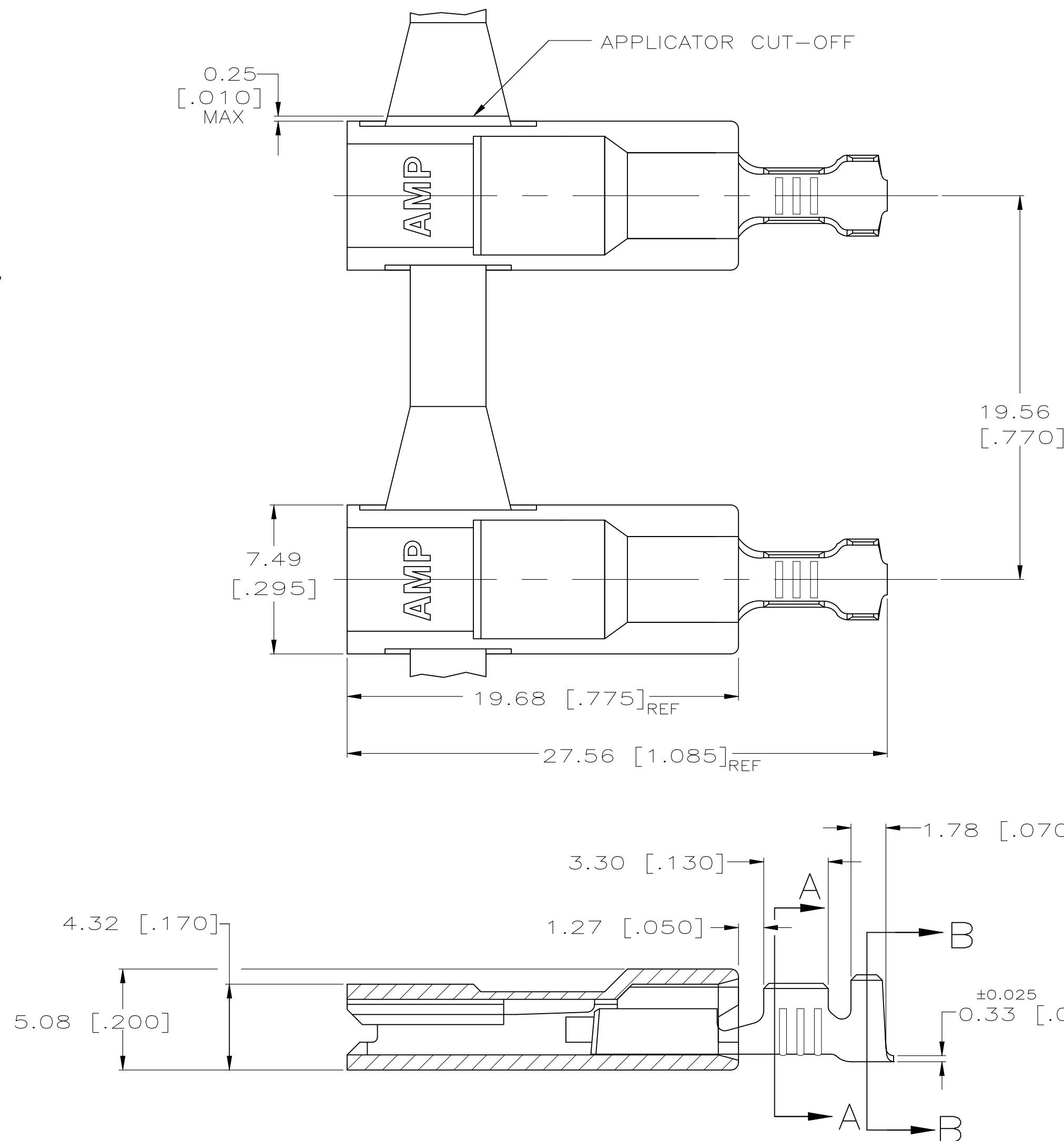


REVISIONS					
P	LTR	DESCRIPTION	DATE	DWN	APVD
N3		REVISED PER ECR-22-160893	14DEC2022	DB	BW



- 1 FASTON TERMINALS, BASE P/N 63654, ARE USED IN THIS PRODUCT.
- 2 TIN PLATE PER MIL-T-10727
- 3 MATERIAL: HOUSING - 6/6 NYLON
TERMINAL - BRASS
- 4 FINISH: SEE TABLE

OBSOLETE	-BULK	NATURAL	PLAIN	2.29-3.30 [.090-.130]	0.5-1.3 mm ² [20-16]	0.813 [.032]	MATING TAB THK ±0.025 [±.001]	-5-520982-1
	STANDARD	BLACK	PLAIN					520982-8
		NATURAL	TIN 2					520982-2
SUPERSEDED	-STANDARD	NATURAL	PLAIN	INSULATION RANGE	WIRE SIZE		PART NO.	-520982-1
	PACKAGING	HOUSING COLOR	TERMINAL FINISH					

THIS DRAWING IS A CONTROLLED DOCUMENT.		DWN	JR RUTH	12/6/90	 TE Connectivity		
DIMENSIONS: mm [INCHES]		CHK	MS FEHER	12/6/90			
TOLERANCES UNLESS OTHERWISE SPECIFIED:		APVD	R KUZO	12/6/90			
0 PLC ± - 1 PLC ± - 2 PLC ± - 3 PLC ± 0.25 [.010] 4 PLC ± - ANGLES ± -		PRODUCT SPEC	118-1285				
MATERIAL	- 3	FINISH	- 4	APPLICATION SPEC	114-2124		
CUSTOMER DRAWING		WEIGHT	0.000000		SIZE	A2	
		CAGE CODE		00779		DRAWING NO	C=520982
		SCALE		5:1		SHEET	1 OF 1
		REV		N3			