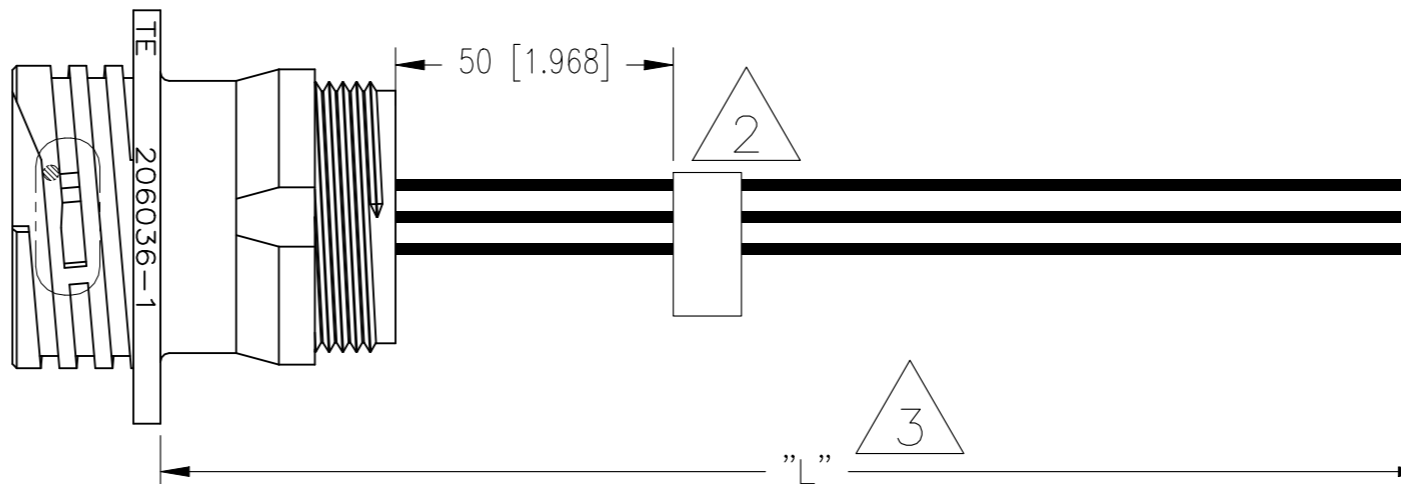
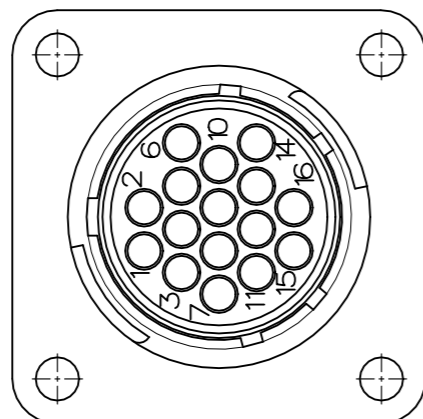


REVISIONS					
P	LTR	DESCRIPTION	DATE	DWN	APVD
	B	INITIAL RELEASE	09NOV2021	GSK	JDA



NOTES:

1. OVERALL INSULATION CRIMP DIAMETER, INCLUDING CRIMP BARREL, MUST NOT EXCEED .125 [3.18]

2 LABEL LOCATED APPROXIMATELY WHERE SHOWN. LABEL INFORMATION AS FOLLOWS:

2387125-X	TE P/N
REV B	CUST REV
TE/MEXICO	MANUFACTURER NAME/COUNTRY OF ORIGIN
MM/DD/YY	DATE CODE

4. TOLERANCES PER IPC STANDARD:
IPC-A-620A

Metric	
<0.3 m	+25mm -0mm
>0.3 m - 1.5m	+50mm -0mm
>1.5 m - 3m	+100mm -0mm
>3 m - 7.5m	+150mm -0mm
>7.5m	+5% -0%

- 5. HARNESS SHALL BE SHIPPED IN SEALED PLASTIC BAG.
- 6. CONTINUITY ELECTRICAL TEST MUST BE PERFORMED.
- 7. WIRE 18 AWG

3 "L" REPRESENTS THE LENGTH OF THE WIRE USED FOR THE LEADS.

TE PN	LENGTH "L"
2387125-1	0.5M
2387125-2	1.0M
2387125-3	2.0M

THIS DRAWING IS A CONTROLLED DOCUMENT.		DWN 11FEB2021 SATHISH KUMAR G		TE Connectivity	
DIMENSIONS: mm [INCHES]		CHK 11FEB2021 JUAN AVILA			
TOLERANCES UNLESS OTHERWISE SPECIFIED:		APVD 11FEB2021 JUAN AVILA		NAME CPC SQ. FLANGE RCPT CONNECTOR CABLE, STD SEX, SERIES 1, 17-16	
		PRODUCT SPEC -		APPLICATION SPEC -	
MATERIAL -		FINISH -		SIZE A3	CAGE CODE 00779
		WEIGHT -		DRAWING NO C-2387125	RESTRICTED TO -
CUSTOMER DRAWING				SCALE NTS	SHEET 1 OF 1
				REV B	