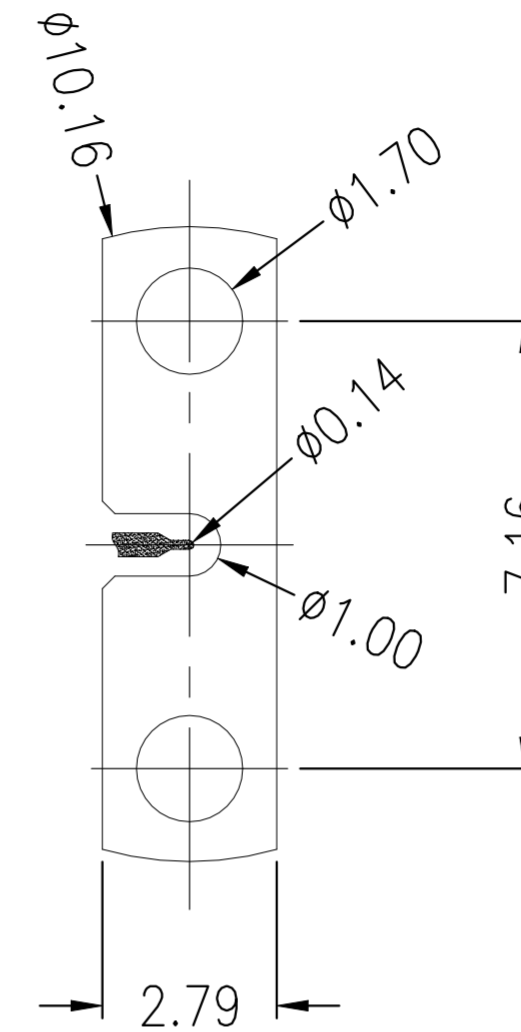
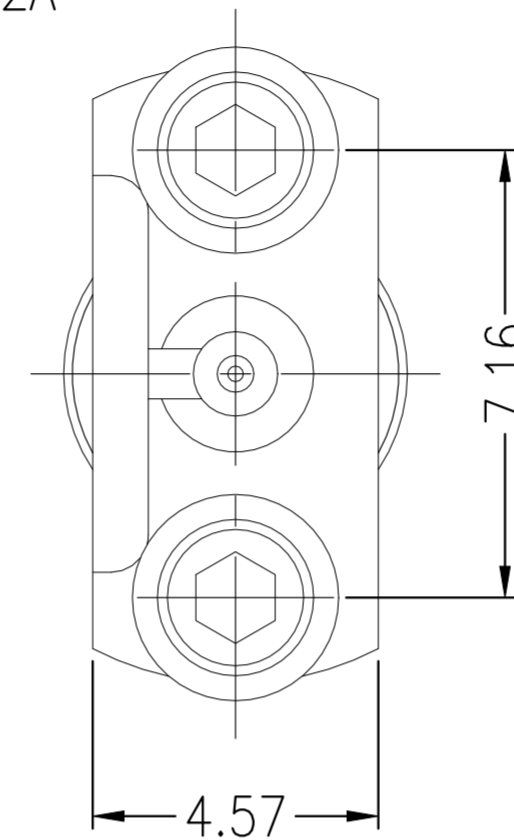
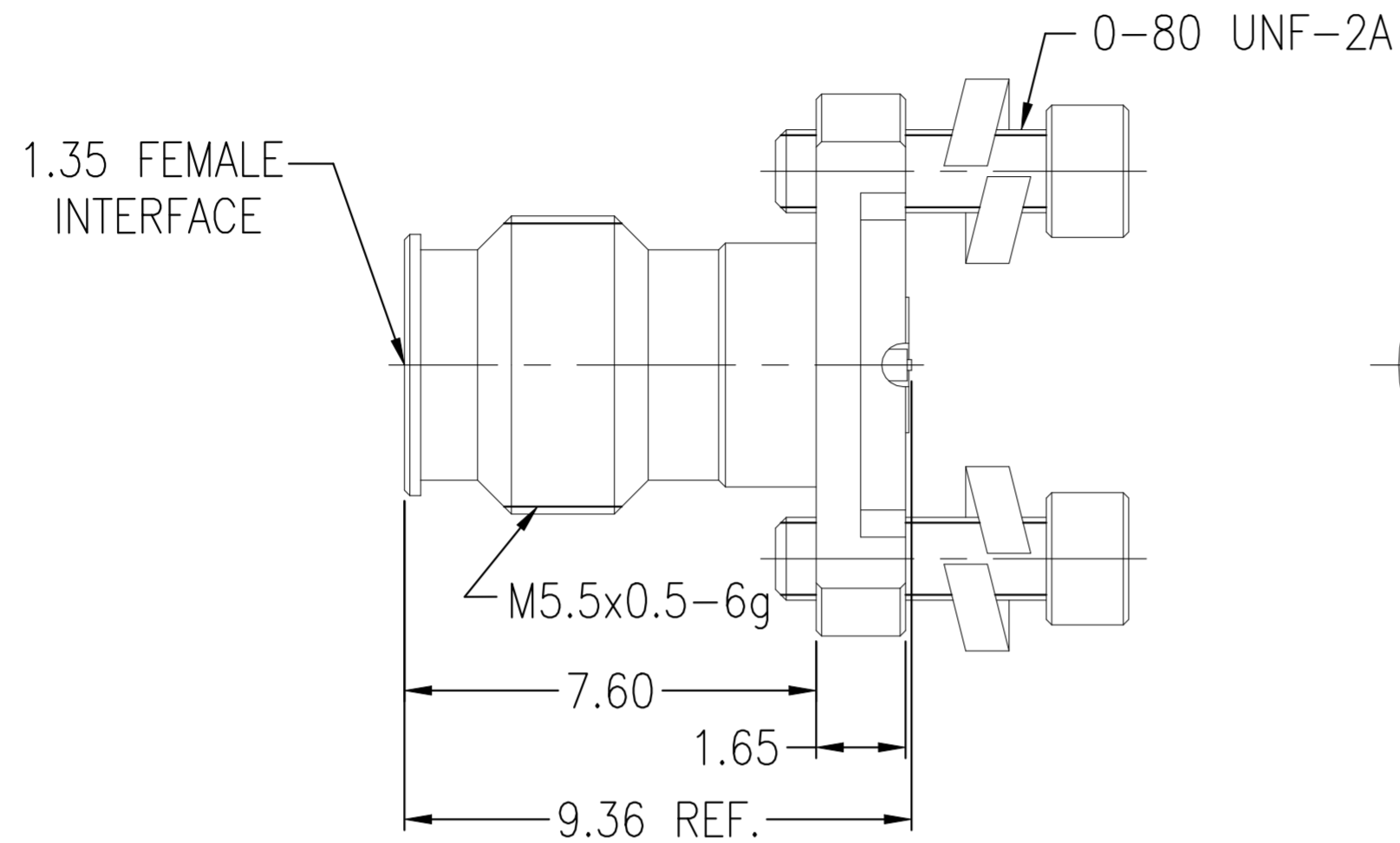


REVISIONS					
P	LTR	DESCRIPTION	DATE	DWN	APVD
A		ECN-21-107697	30JUN2021	PZ	WKH



RECOMMEND PCB MOUNTING

ELECTRICAL	MECHANICAL	ENVIRONMENTAL
Impedance (Ohm): <u>50</u> Frequency Range: <u>DC to 90GHz</u> Voltage Rating (Peak) @ Sea Level <u>150 V RMS</u> Insulation Resistance (MIN.) <u>1000 M ohms</u> Contact Resistance (mohms MAX) Center Contact <u>4.0</u> Outer Contact <u>1.0</u> Dielectric Withstand Voltage: <u>500 V RMS Max</u> Insertion Loss : $0.1 \times \sqrt{F(\text{GHz})}$ dB VSWR: <u><1.50 @ DC ~ 90GHz</u>	Interface Dimension <u>1.35mm female</u> Force to Engage and Disengage Engage: <u>N/A</u> Disengage: <u>N/A</u> Center Contact Captivation Axial (N) <u>18.0 MIN</u> Radial (In/oz) <u>N/A</u> Cable Retention Axial (Lbs) <u>N/A</u> Mating cycles <u>500 cycles</u>	TEMPERATURE RANGE <u>-40 °C ~ +125 °C</u> ROHS <u>COMPLIANT</u>

1	CONTACT PIN	BERYLLIUM COPPER	GOLD PL.50u"/NICKEL/COPPER
1	INSULATOR	PEEK	N/A
1	BODY	STAINLESS STEEL	PASSIVATION
2385352-1	PART NUMBER	MATERIAL	PLATING

THIS DRAWING IS A CONTROLLED DOCUMENT.		DWN	27JAN2021	TE Connectivity 1.35mm FEMALE S/T WITH 2 HOELS FLANGE FOR PCB VERTICAL LAUNCH CONNECTOR	RESTRICTED TO
		CHK	27JAN2021		
		APVD	27JAN2021		
		PRODUCT SPEC			
DIMENSIONS: mm 		TOLERANCES UNLESS OTHERWISE SPECIFIED: 0 PLC ± - 1 PLC ± 0.3 2 PLC ± 0.2 3 PLC ± 0.1 4 PLC ± - ANGLES ± 5°		NAME	
MATERIAL		FINISH		SIZE	CAGE CODE
				WEIGHT	DRAWING NO
				A2	00779
				C=2385352	
				CUSTOMER DRAWING	SCALE
				1:1	SHEET
				1 OF 1	REV
				A	