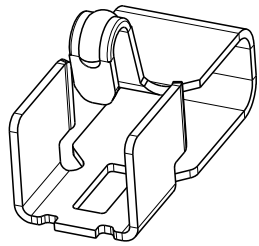
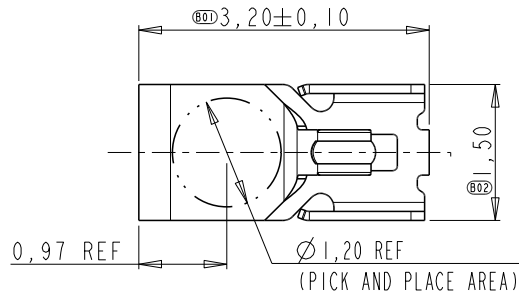


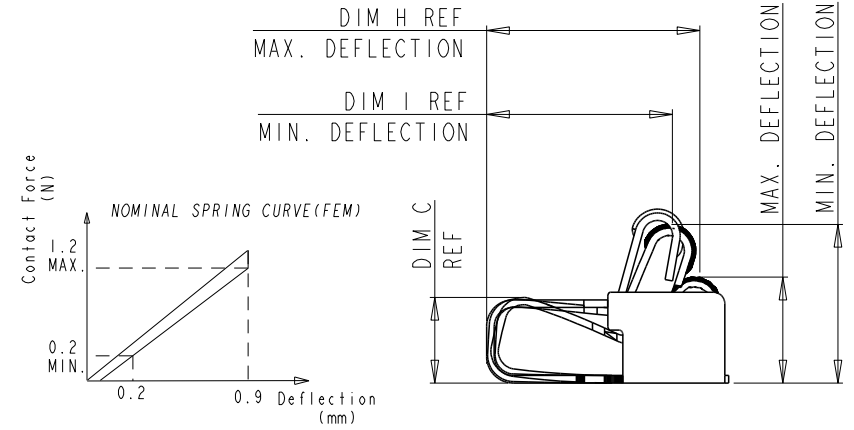
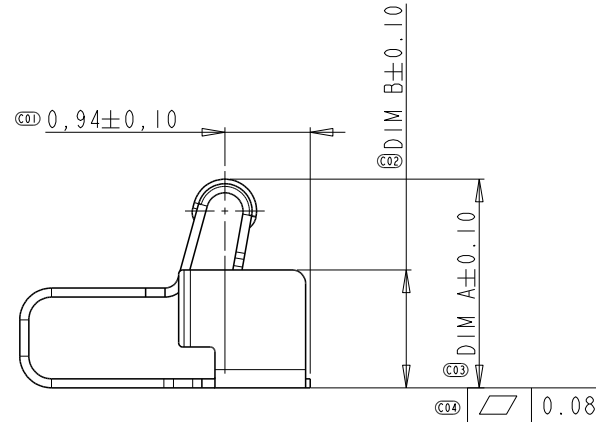
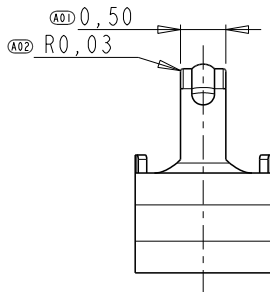
P	LTR	DESCRIPTION	DATE	DWN	APVD
	A2	REVISED	13MAY2021	J. J	N. S



3D VIEW ONLY FOR REFERENCE

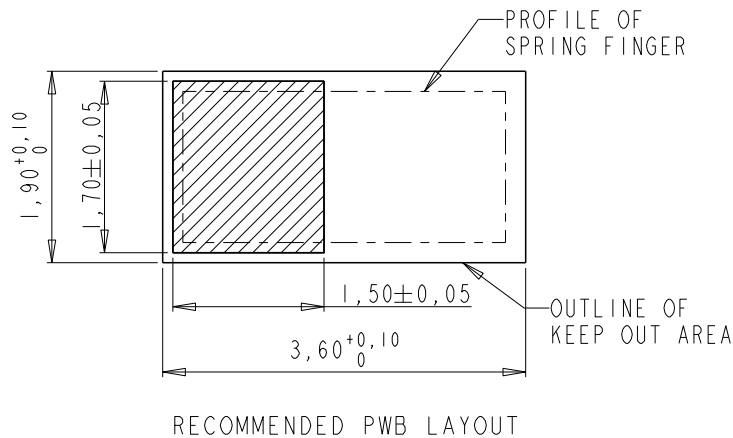


TE P/N	DIM A	DIM B	DIM C	DIM H	DIM I	WORK RANGE	QUANTITY	PLATING	PRODUCT SPEC
2199249-3	2.0	1.0	0.83	2.76	2.40	1.1~1.8	7000	3	108-115061-1
2199249-4	2.3	1.3	1.13	2.80	2.44	1.4~2.1	6000	3	108-115061-1
2199249-7	2.0	1.0	0.83	2.76	2.40	1.1~1.8	7000	5	108-115061-2



DEFORMED VIEW FOR REFERENCE

- 1 PART NUMBER: SEE TABLE.
- 2 MATERIAL: PHOSPHOR BRONZE, THICKNESS=0.10MM.
- 3 PLATING: 2um MIN. NICKEL UNDERLAYER ALL OVER  
0,50um MIN. GOLD ON CONTACT SURFACE  
GOLD FLASH ON SOLDERING SURFACE
- 4 PICK AND PLACE SURFACE Ø1.2MM.
- 5 PLATING: 2um MIN. NICKEL UNDERLAYER ALL OVER  
GOLD FLASH ON SOLDERING SURFACE

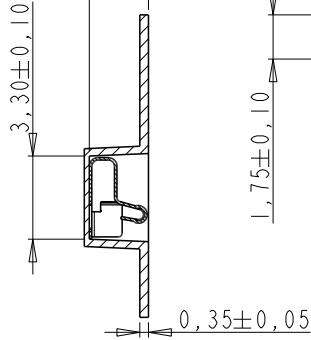


THIS DRAWING IS A CONTROLLED DOCUMENT.		DWN Tony Zhang 18JAN2013	TE Connectivity	
DIMENSIONS: mm		CHK Wenke He 18JAN2013		
TOLERANCES UNLESS OTHERWISE SPECIFIED: 0 PLC ±0.2 1 PLC ±0.15 2 PLC ±0.15 3 PLC ±0.10 4 PLC ± ANGLES ±5°		APVD Wenke He 18JAN2013	NAME SPRING FINGER TYPE B	
MATERIAL materta_1_2		PRODUCT SPEC -	APPLICATION SPEC -	
FINISH finish_spec_2		WEIGHT -	SIZE A3	CAGE CODE 00779
CUSTOMER DRAWING		DRAWING NO C=2199249	RESTRICTED TO -	
SCALE 17:1		SHEET 1 OF 2		REV A2

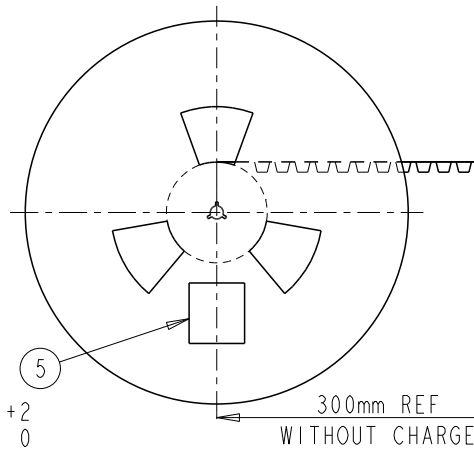
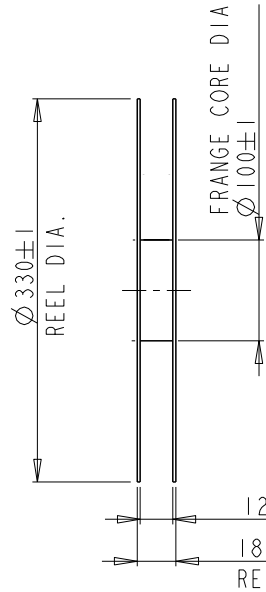
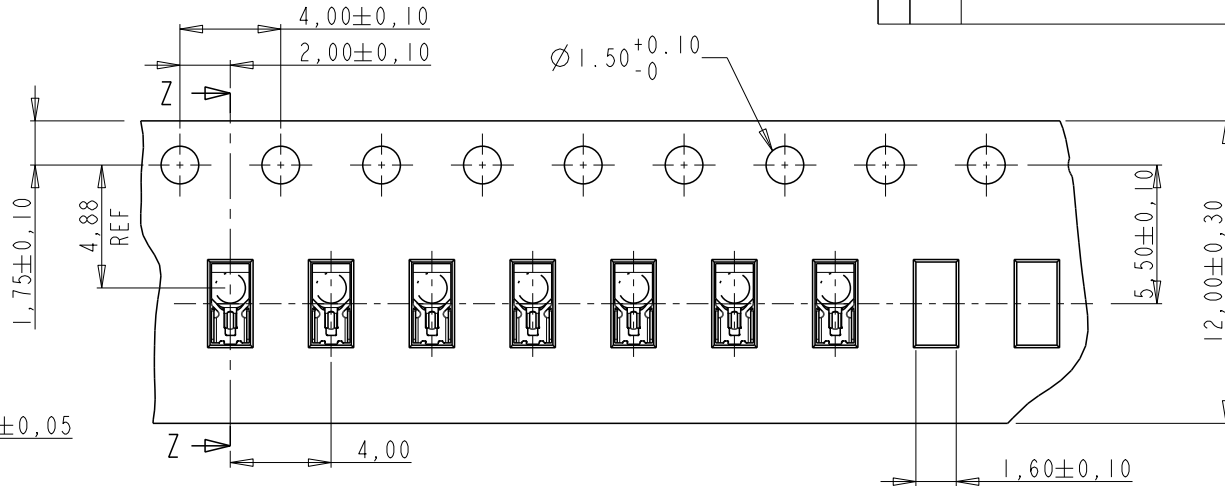
Printed on 26-Sep-2021 13:05 (China Standard Time) from FG086075

P	LTR	DESCRIPTION	DATE	DWN	APVD

DIM A+0.05±0.10



SECTION Z-Z



165,000°~180°  
PEELING ANGLE  
0.1~1.3N(300mm/min)  
PEELING STRENGTH

WITH PRODUCT CHARGE  
(QUANTITY) EA/IREEL  
SEE TABLE ON SHEET 1

WITHOUT CHARGE  
100~125HOLES

THIS DRAWING IS A CONTROLLED DOCUMENT.		DWN Tony Zhang 18JAN2013	TE Connectivity	
DIMENSIONS: mm		CHK Wenke He 18JAN2013		
TOLERANCES UNLESS OTHERWISE SPECIFIED:		APVD Wenke He 18JAN2013	NAME SPRING FINGER TYPE B	
0 PLC ±0.2		PRODUCT SPEC	-	
1 PLC ±0.15		APPLICATION SPEC	-	
2 PLC ±0.15		WEIGHT	-	
3 PLC ±0.10		MATERIAL	-	
4 PLC ±		FINISH	-	
ANGLES ±°		CUSTOMER DRAWING	SCALE 5:1	SHEET 2 OF 2
material_2		finish_spec_2	SIZE A3	CAGE CODE 00779
			DRAWING NO C-2199249	RESTRICTED TO -
				REV A2